

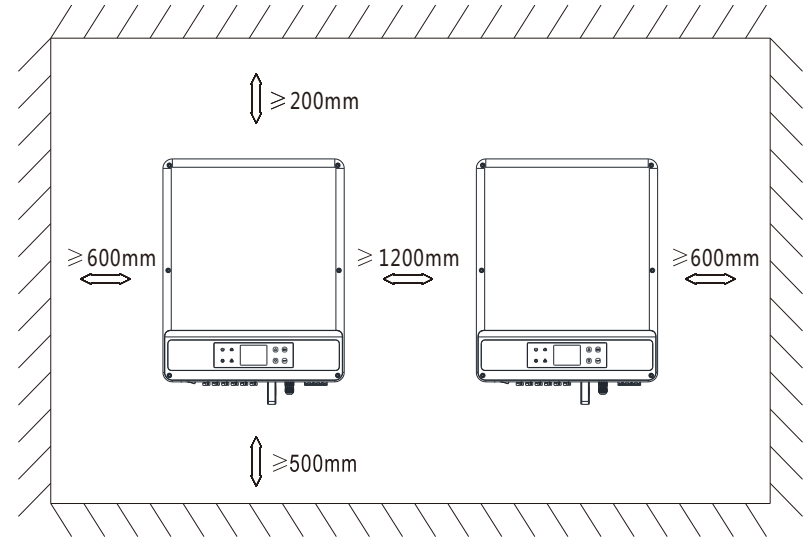
# Instructions For Fast Installation

## SMT Series



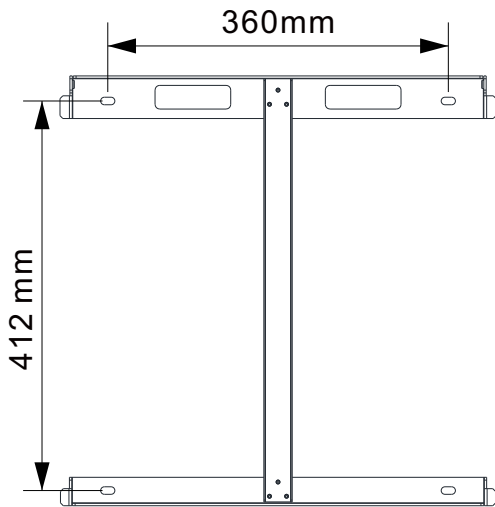
Warning: All fasteners must be locked tightly. Otherwise the inverter may be flooded, resulting in machine failure. In such case, warranty shall not be provided.

**A**



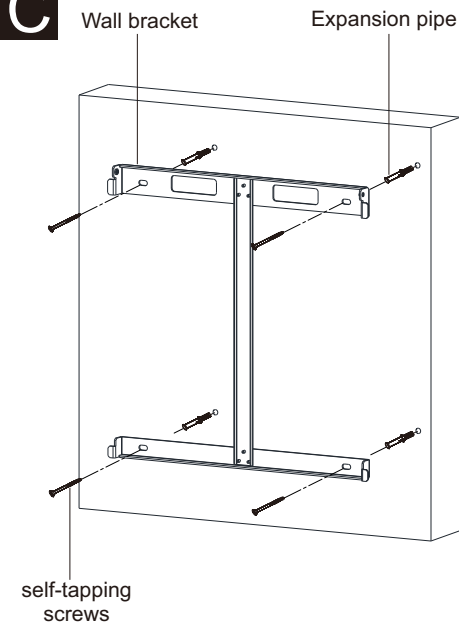
Installation space

**B**



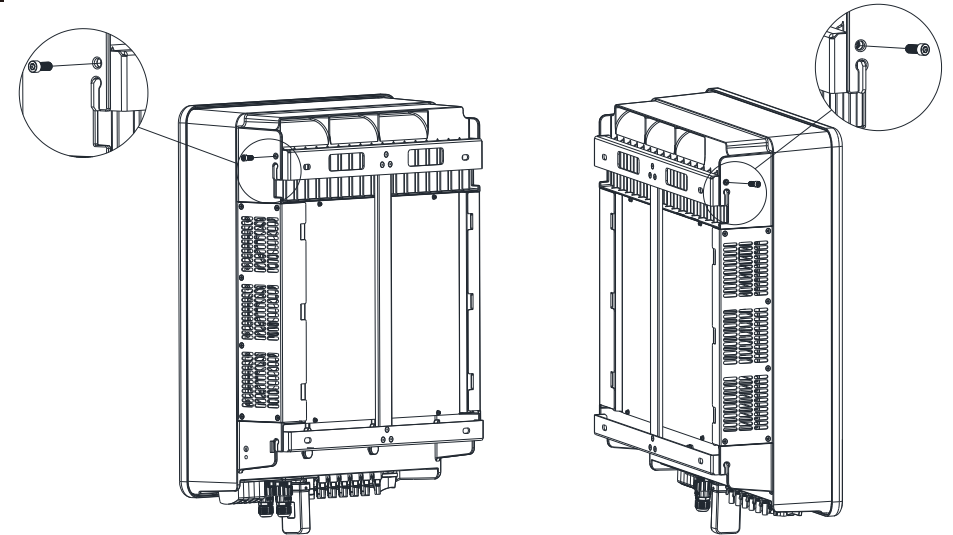
Distance for drilling holes

**C**



The wall bracket fixation

**D**



Inverter installation

