

# Three-phase meter with CTs quick installation guide

## 1. Scope

This type of inverter integrate the export power limitation function, to use this function, please refer this installation guide to install the three-phase meter and CTs. Then set the inverter.

## 2. Three-phase installation

This meter is suitable for the following Solis inverter models :

Solis-3P(5-20)K-4G



### NOTE:

The meter has been preset for direct installation on site. No need to change any parameters on the meter.



### WARNING:

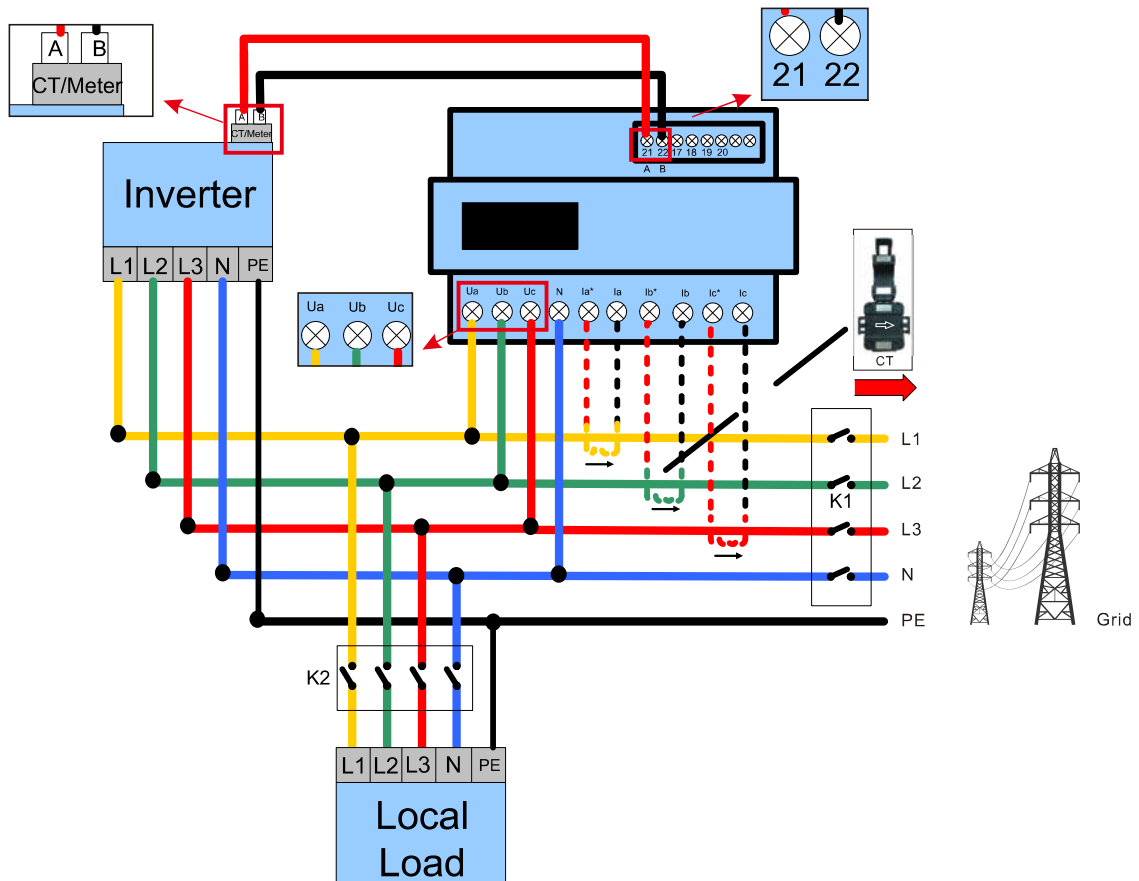
Please disconnect or switch off the upstream and downstream electrical connection before conduct the meter installation.

Otherwise there will be risk of electric shock.

## The three-phase meter with CTs



## System drawing



**NOTE:**

1. When connect the meter, make sure the mark "Ua", "Ub", "Uc" are connected at the grid side "L1", "L2", "L3".
2. The red cable of CT connect to the mark "Ia\*", "Ib\*", "Ic\*", and the black cable connect to the "Ia", "Ib", "Ic".
3. The CT arrow should be towards to the Grid side.

**3. Setting on the inverter (default setting is "OFF")**

Enter the menu.

Advanced Settings → 0010 → Internal EPM Set → Mode Select → Meter in Grid → Select "ON"

**4. Meter Specification**

Model Name	DTSD1352
Grid Topology	3P+N
Rated Voltage	3*220/380V
Input Current	3*1(6)A (External CTs)
Accuracy	Voltage $\pm 0.2\%$ Current $\pm 0.2\%$ Power(P,Q,S) $\pm 0.5\%$ Active Energy Class 0.5S/1 Reactive Energy Class 2
Operating Temperature	-25°C~55°C
Relative Humidity	<95% (Non-condensing)
Dimension	126.5L*88.2W*69.5H (mm)