



User manual —————

PV Grid-Connected Inverter

Product Model: Sofar 20~33KTL-G2 (2018.09.07)

Notice

The product , service and features that you purchased are bound by Sofarsolar's commercial contract and terms,The product, service and features(or part of them) described in this document may not be in your purchase or usage range. Sofarsolar does not declare or guarantee any content in this document except there are other contractual stipulation.

Save these instructions!

This manual must be considered as an integral part of the equipment, and must be available at all times to everyone who interacts with the equipment. The manual must always accompany the equipment, even when it is transferred to another user or field.

Copyright Declaration

The copyright of this manual belongs to Shenzhen SOFARSOLAR Co., Ltd. Any corporation or individual should not plagiarize, partially copy or fully copy it (including software, etc.), and no reproduction or distribution of it in any form or by any means. All rights reserved. SOLARSOFAR reserves the right of final interpretation. This manual is subject to change according to user's or customer's feedback. Please check our website at <http://www.sofarsolar.com> for latest version.

Shenzhen SOFARSOLAR Co ., Ltd.

ADD:Building NO.4,Antongda Industrial Park,NO.1,Liuxian Avenue, Bao' an District, Shenzhen, China

[Http://www.sofarsolar.com](http://www.sofarsolar.com)

P. C. : 518000

E-mail: service@sofarsolar.com

Preface

Outline

Please read the product manual carefully before installation, operation or maintenance. This manual contains important safety instructions and installation instructions that must be followed during installation and maintenance of the equipment.

• Scope

This product manual describes the assembly, installation, commissioning, and maintenance of the following inverters.

SOFAR 20000TL-G2 SOFAR 25000TL-G2 SOFAR 30000TL-G2 SOFAR 33000TL-G2

Keep this manual where it will be accessible at all times.

• Target Group

This manual is for qualified person (support person, service person are qualified mentioned in this manual).

• Symbols Used

This manual provides safety operation information and uses the symbol in order to ensure personal and property security and use the inverter efficiently when operating the inverter. You must understand these emphasized information to avoid the personal injury and property loss. Please read the following symbols which used in this manual carefully.







 Danger	Danger indicates a hazardous situation which, if not avoided, will result in death or serious injury.
 Warning	Warning indicates a hazardous situation which, if not avoided, could result in death or serious injury.
 Caution	Caution indicates a hazardous situation, if not avoided, could result in minor or moderate injury.
 Attention	Attention indicates there are potential risks. If fail to prevent, may lead to equipment cannot run normally or property damage.
 Note	Note provides tips that are valuable for the optimal operation of the product. It can solve your problem and save your time if you read it carefully.

Table of contents

Preface	II
1 Basic safety information	1
1.1 Safety instructions	1
1.2 Symbols and signs	3
2 Product characteristics	5
2.1 Product identification	5
2.2 Function description	10
2.3 Protection modules	13
2.4 Efficiency and derating curve	13
3 Installation	15
3.1 Installation Process	16
3.2 Checking Before Installation	16
3.3 Tools	18
3.4 Determining the Installation Position	20
3.5 Moving the sofar 20~33KTL-G2	21
3.6 Installing the sofar 20~33KTL-G2	22
4 Electrical Connections	24
4.1 Electrical connection	25
4.2 Connecting PGND Cables	25
4.3 Connecting AC Output Power Cables	27
4.4 Connecting Communications Cables	29
4.5 Connecting DC Input Power Cables	36
4.6 Safety check	41
5 Commissioning of inverter	42
5.1 Safety inspection before commissioning	42
5.2 Start inverter	42

6 Operation interface	43
6.1 Operation and Display Panel	43
6.2 Standard Interface	44
6.3 Main Interface	46
7 Trouble shooting and maintenance	57
7.1 Trouble shooting	57
7.2 Maintenance	61
8 Decommissioning	62
8.1 Decommissioning steps	62
8.2 Package	62
8.3 Storage	62
8.4 Disposal	62
9 Technical data	63
9.1 Input parameter (DC)	63
9.2 Output parameter (AC)	64
9.3 Efficiency, Safety and Protection	64
9.4 General Data	65
10 Quality Assurance	66

1 Basic safety information

	<p>If you have any question or problem when you read the following information, please contact Shenzhen SOFARSOLAR Co., Ltd.</p>
Note	

Outlines of this chapter

Please read the safety notice in this manual carefully, if not, it may cause serious injure or death.

safety instruction

It mainly introduce the safety instruction when install and operate the 20~33KTL-G2.

Symbols and signs

It mainly introduce the safety symbols on 20~33KTL-G2.

1.1 Safety instructions

20~33KTL-G2 must be installed according to the national and local grid standard and law. Read and understand the instruction of this manual ,and be familiar with relevant safety symbols in the paragraph, then start to install and debug the equipment. According to the national and state requirements, before connect the grid ,you must get power department permission, and perform the operation only by qualified electrical engineer. Before installing and maintaining the equipment, you should cut off the high voltage application of PV array. You can also open the switch of Solar Array Combiner to cut off the high voltage. Otherwise, serious injury may be caused.

Body sign and protection

There are warring signs on the body of 20~33KTL-G2 ,which has important safety operation information, it is forbidden to damage these signs.

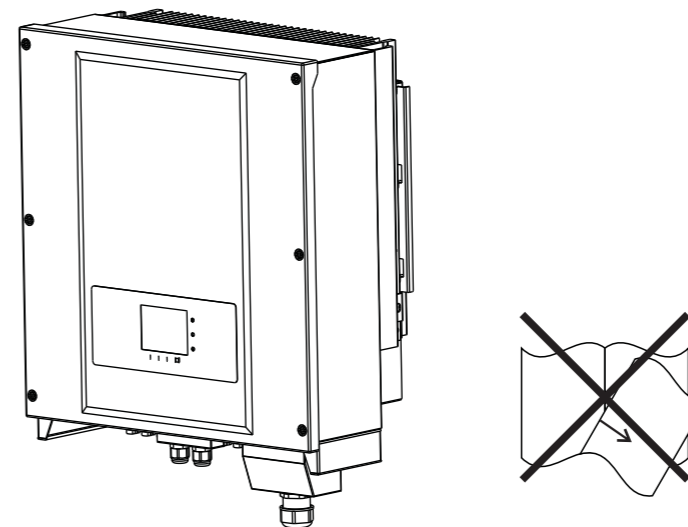
There is nameplate on side body of 20~33KTL-G2, which has important information of product parameters, it is forbidden to damage these signs.

Qualified persons

The customer must make sure the operator have the necessary skill and training to do his/her job. Staff in charge of using and maintaining the equipment must be skilled, aware and mature for the described tasks and must have the reliability to correctly interpret what is described in the manual. For safety reason only a qualified electrician, who has received training and / or has demonstrated skills and knowledge in construction and in operation of this unit, can install this inverter. Shenzhen SOFARSOLAR Co., Ltd does not take any responsibility for the property destruction and personal injury because of any incorrect use.

Assembly situation requirements

Please install and start inverter according to the following sections. Put the inverter in appropriate bearing capacity objects(such as wall and components and so on), to ensure that inverter vertical placed. Choose suitable place for installing electrical equipment. And assure enough fire exit space, convenience for maintenance. Maintain proper ventilation, and ensure that have the enough air cooling cycle.






Transport requirements



If you find packing problems that may cause the damage of the inverter, or find any visible damage, please immediately notice the responsible transportation company. You can ask solar equipment installation contractor or Shenzhen SOFARSOLAR Co.Ltd for help if necessary. Transport of the equipment, especially by road, must be carried out with by suitable ways and means for protecting the components (in particular, the electronic components) from violent shocks, humidity, vibration, etc.

Electric connection



Please comply with all the current electrical regulations about accident prevention in dealing with the current inverter.

 Danger	<ul style="list-style-type: none"> • Before the electrical connection, make sure to use opaque material to cover the PV modules or to disconnect PV array DC switch. Exposure to the sun, PV array will produce a dangerous voltage!
 Warning	<p>All installation accomplished only by professional electrical engineer!</p> <ul style="list-style-type: none"> • must be trained; • Completely read the manual operation and understand relevant matters. • Electrical installation and maintenance shall be conducted by qualified electrician and shall comply with national wiring rules.
 Attention	<p>Only get permission by the local power department and complete all electrical connection by professional electrical engineer then connect inverter into grid!</p>

Operation

	<p>Touching the power grid or the terminal of equipment may lead to die of electric shock or fire!</p> <ul style="list-style-type: none"> • Don't touch the terminal or conductor which connect to the power circuit; • Pay attention to anything about grid connection and security document.
Danger	
	<p>Some internal components will be very hot when inverter is working. Please wear protective gloves!</p>
Attention	


Maintenance and repair

	<ul style="list-style-type: none"> • Disconnected with the PV components array and electricity grid before any repair work; • After turn off AC breaker and DC switch for 5 minutes later, the maintenance or repair of the inverter can be carried out!
Danger	
	<ul style="list-style-type: none"> • Inverter should work again after removing any faults. If you need any repair work, please contact with the local authorized service center; • Can't open the internal components of inverter without authorized. Shenzhen SOFARSOLAR Co., Ltd. does not take any responsibility for the losses from that.
Attention	

EMC / noise level of inverter

Electromagnetic compatibility (EMC) refers to that one electrical equipment functions in a given electromagnetic environment without any trouble or error, and impose no unacceptable effect upon the environment. Therefore, EMC represents the quality characters of electrical equipment.









- The inherent noise-immune character: immunity to internal electrical noise.
- External noise immunity: immunity to electromagnetic noise in external system.
- Noise emission level: influence of electromagnetic emission upon environment.

	<p>Electromagnetic radiation from inverter may be harmful to health!</p> <ul style="list-style-type: none"> • Please keep away from the inverter more than 20 cm when inverter is working.
Danger	

1.2 Symbols and signs

Signs on the inverter

There are some symbols which are related to security on the inverter. Please read and understand the content of the symbols, and then start the installation.

	There is residual voltage in the inverter! Before open the equipment, operator should wait for five minutes to ensure the capacitance discharge completely.
	Be careful of high voltage.
	Be careful of high temperature.
	Conformity with CE.
	Point of connection for grounding.
	This indicates the allowed temperature range.
	This indicates the degree of protection of the equipment according to IEC standard 70-1 (EN 60529 June 1997).
	Positive pole and negative pole of the input voltage (DC).

2 Product characteristics

Outlines of this chapter

Product identification

It introduces the field of use, and how to identify different types of Sofar 20~33KTL-G2.

Function description

It introduces how the inverter works and the function modules inside.

Protection modules

It introduce the protection modules in the inverter.

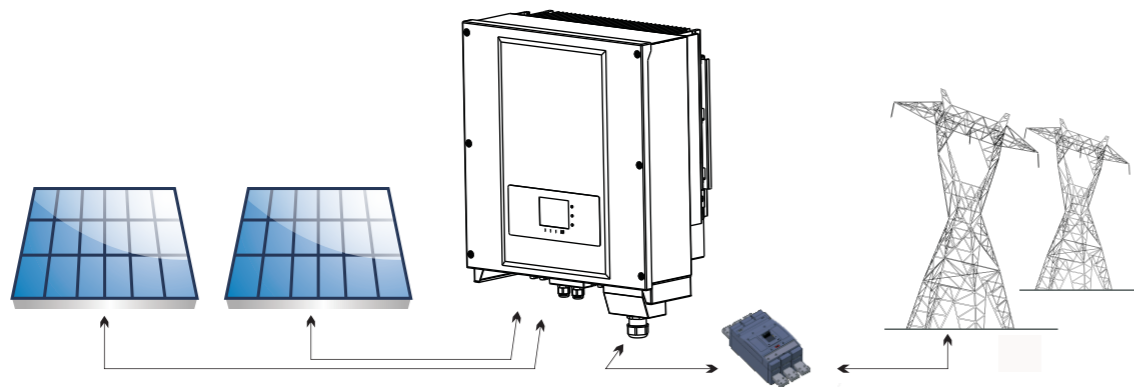
Efficiency and derate curve It introduces efficiency curve and input/output derating curve.

2.1 Product identification

Field of use

20~33KTL-G2 is a multi-string inverter designed to: transform a direct electric current (DC) coming from a photovoltaic generator (PV) into an alternating electric current (AC) Suitable for being fed into the national grid.

Figure2-1 PV Grid-tied System

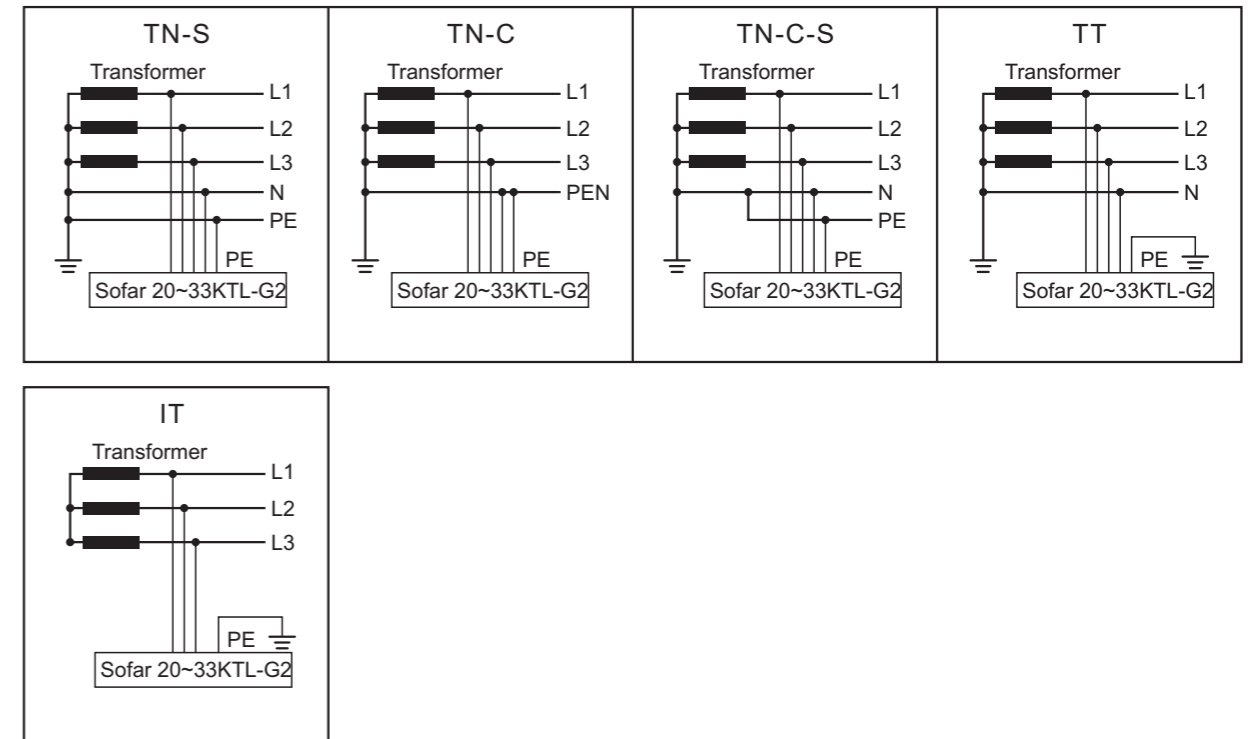


The inverter can only be used with photovoltaic modules for on-grid PV power generation. It can not be used as other or extra purposes, Device manufacture or supplier does not have responsibility to any loss caused by other purpose usage. And customer should take responsibility to risk and loss of other purpose usage. Customer should follow this manual for PV on-grid power generation usage. The input of inverter can only be PV panel ,if user uses DC source or battery to test the inverter ,it may cause device damage , product damage or human injure, device manufacture/supplier does not have responsibility for these.

Intended grid types:

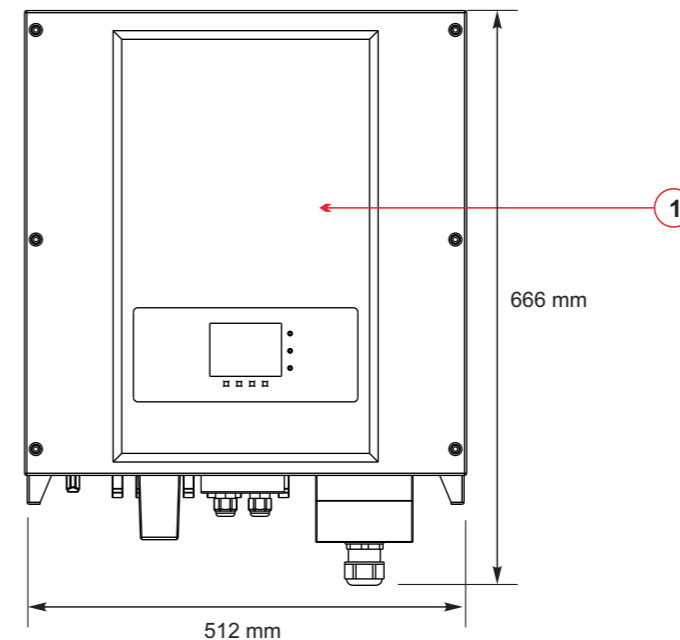
Sofar 20~33KTL-G2 inverters are compatible with TN-S、TN-C、TN-C-S、TT、IT grid configurations。For the TT type of electricity grid, the voltage between neutral and earth should be less than 30V.

Figure2-2 Overview of the grid configurations



Components of the inverter:

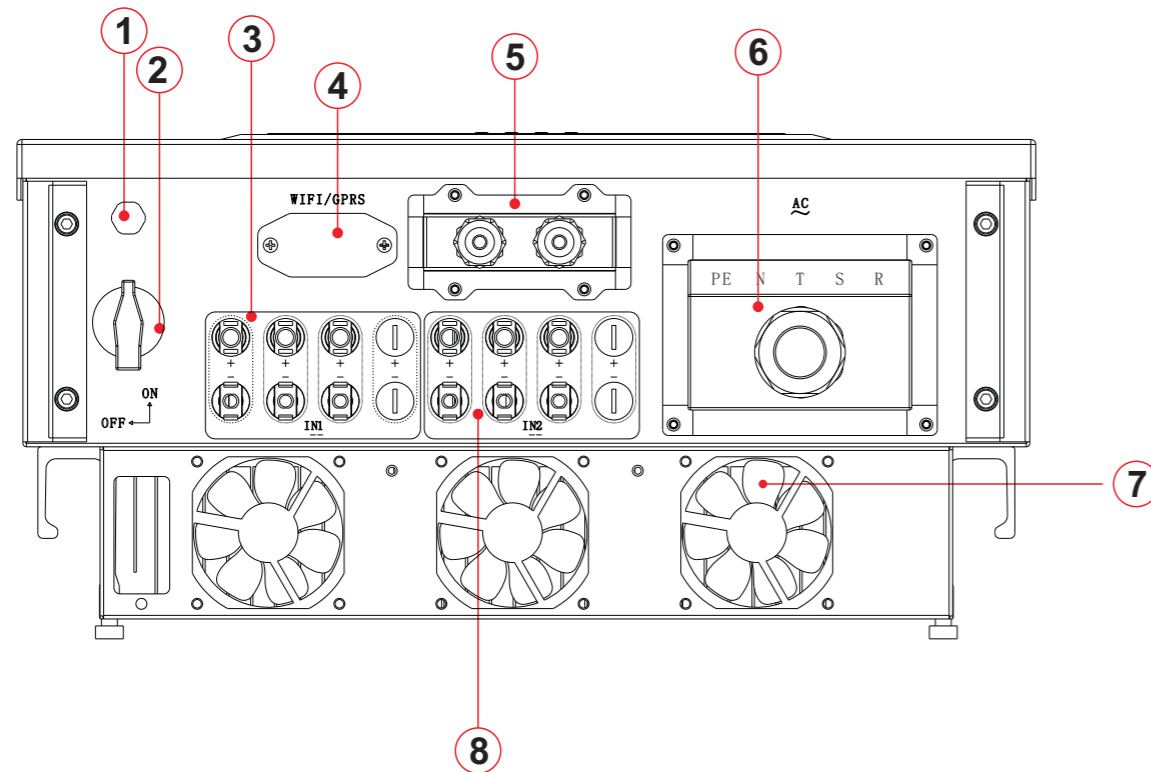
Figure2-3 Two parts of the inverter



1 power converter part

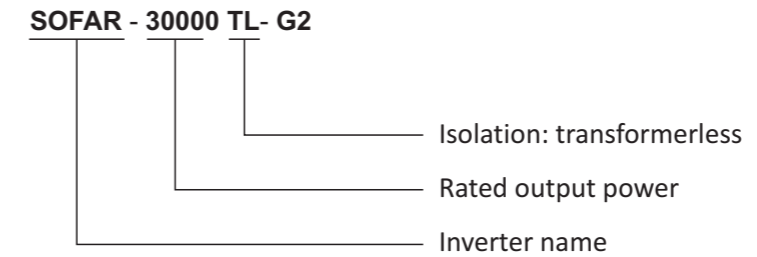
- The specific models of multi-string inverter that this manual is about are divided into four groups according to the maximum output power (SOFAR 20000TL-G2, SOFAR 25000TL-G2, SOFAR 30000TL-G2, SOFAR 33000TL-G2).

Figure2-4 Components of bottom view(1)



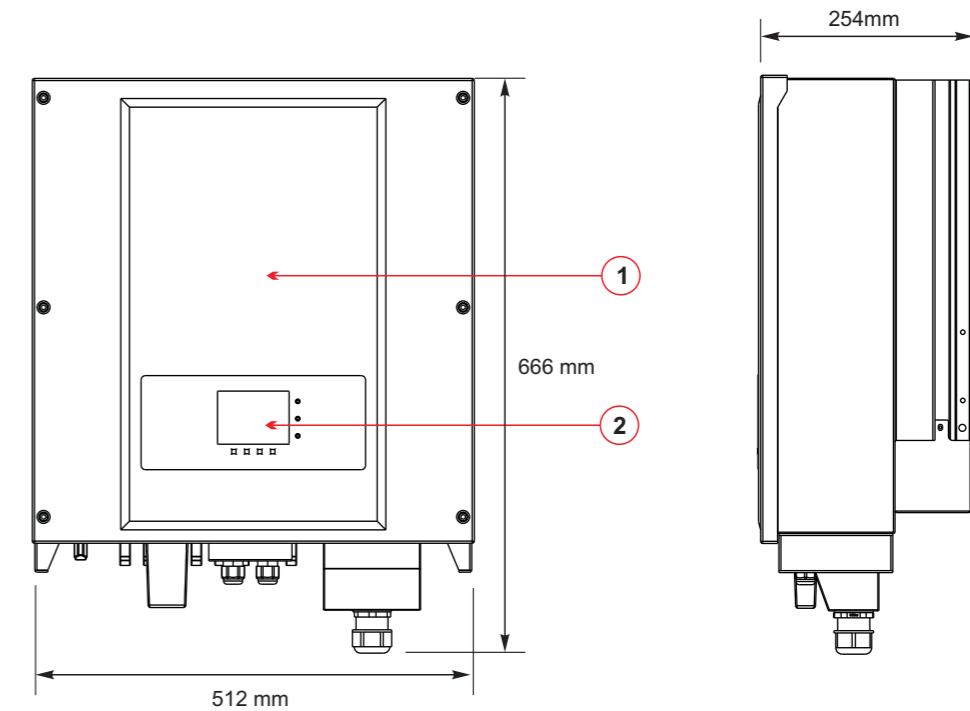
1. Anti-condensation valve
2. DC switch
3. DC positive poles connectors
4. WIFI/GPRS Interference
5. RS485 input cable gland/Dry contact
6. AC cable gland
7. Fan
8. DC Negative poles connectors

- The choice of model of inverter must be made by a qualified technician who knows about the installation conditions, Designer chooses the proper inverter model according to installation site ,enviroment and whole system integration.
- Inverter type identification:



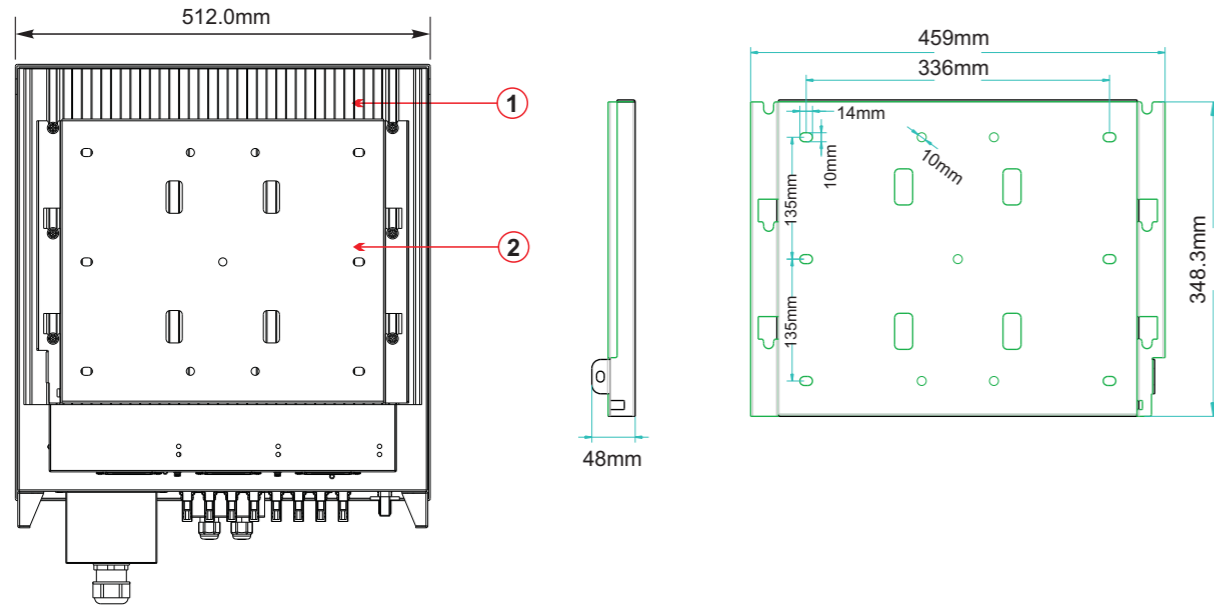
- Overall dimensions: L×W×H=666mm×512mm×254mm.

Figure2-8 Front view and left view dimensions



1. Cabinet
2. Human Interface board

Figure2-9 Back view and Bracket dimensions

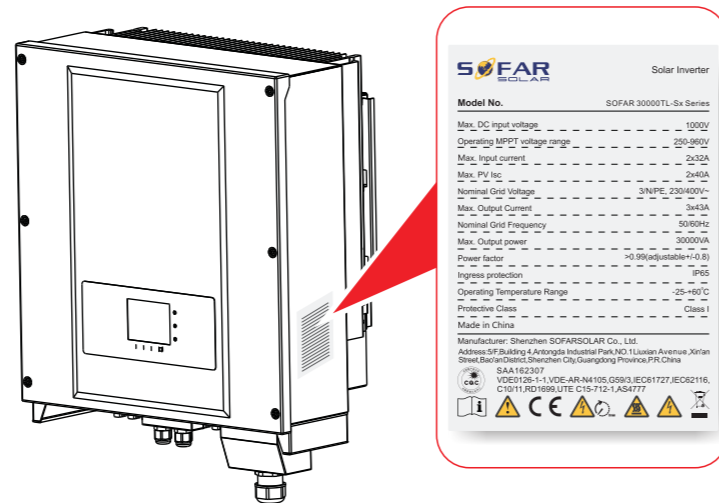


1. Heat sink 2. Bracket

Identification labels of the equipment :



The labels must NOT be hidden with objects and extraneous parts (rags, boxes, equipment, etc.); they must be cleaned regularly and kept visible at all times.



SOFAR Solar Inverter	
Model No.	SOFAR 3000TL-Sx Series
Max. DC input voltage	1000V
Operating MPPT voltage range	250-850V
Max. input current	25.0A
Max. PV Pdc	25.0kW
Max. DC input power	33.0kW
Nominal Grid Voltage	3/N/PE 230/400V~
Max. Output Current	34.8A
Nominal Grid Frequency	50/60Hz
Max. Output power	30000VA
Power factor	>0.99(adjustable+0.8)
Ingress protection	IP65
Operating Temperature Range	-25~+60°C
Protection Class	Class I
Made in	China
Manufacturer: Shenzhen SOFARSOLAR Co., Ltd. Address: SF Building 4, Anxiong Industrial Park, NO. 1 Lixian Avenue, Xintan Street, Bao'an District, Shenzhen City, Guangdong Province, P.R. China	
SAA 162307 VDE 0120-1-1, VDE-AR-N4105, GB 1983, IEC 61727, IEC 62116, C1011, IEC 60947-2, C15712-1, A54777	

2.2 Function description

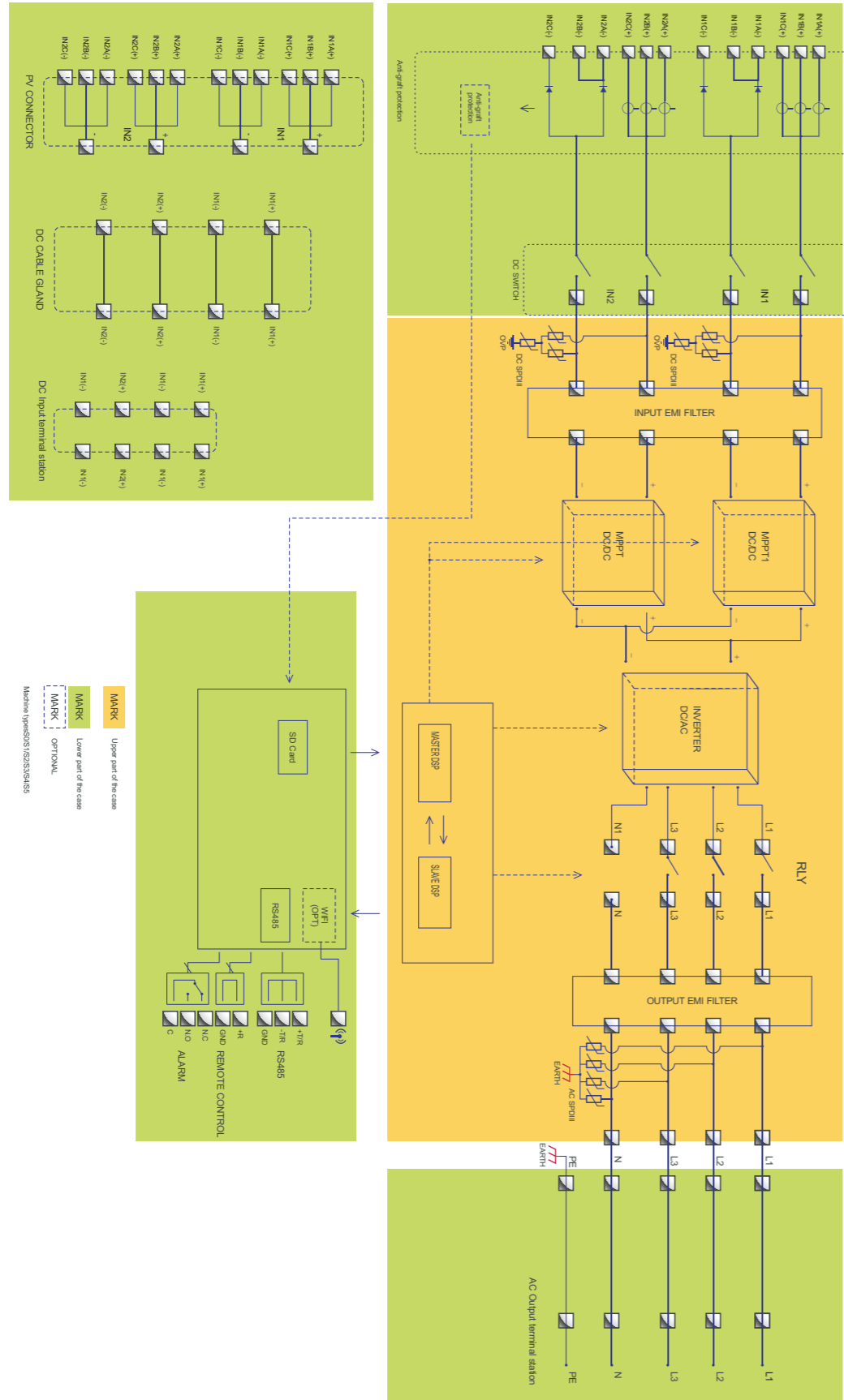
Operating Principle

DC power generated by PV array is filtered through string detection board and input board before entering into Power board. Input board also offer functions such as insulation impedance detection and input DC voltage / current detection. DC power is converted to AC power by Power board. AC power is filtered through Output board then AC power is fed into the grid. Output board also offer functions such as grid voltage / output current detection, GFCI and output isolation relay. Control board provides the auxiliary power, controls the operation state of inverter and shows the operation status by Display board. Display board displays fault code when inverter is in abnormal operation conditions. At the same time, Control board can trigger the relay so as to protect the internal components.

Operating Principle

- The string detection board detects the input voltage / current, analyses the operating status of each PV string and alerts the user that a maintenance required if a problem occurs in the PV string;
- The DC switch disconnects internal circuits from the DC input to facilitate maintenance;
- The input and output electromagnetic interference (EMI) filters filter out the EMI inside the sofar 20~33KTL-G2 to ensure that the sofar 20~33KTL-G2 meets electromagnetic compatibility requirements;
- The Input Board detects the insulation impedance of the PV array and ensures the maximum output power of the PV system by measuring the voltages & currents of PV array and tracking the maximum power point (MPPT);
- The DC-AC conversion circuit converts DC power into AC power and then the AC power is fed into the electric grid. The AC output power quality meets the requirements of the electric grid;
- The output isolation relay isolates the inverter from the electric grid when the grid or the inverter is faulty.
- The LC filter filters out the high-frequency components from the AC output of sofar 20~33KTL-G2 to ensure that the AC output meets electric grid requirements;
- The Communication Board enables the inverter to communicate via RS485, WIFI(optional), user can access all the operating data via the web browser(PC) and APP(ios & android).

Figure2-10 Electrical block diagram



Function module

A. Configurable relay

The inverter has a configurable switching relay that can be used in various operating conditions set in the dedicated menu. A typical application example is the closing of the contact when an alarm occurs.

B. Energy management unit

B.1 Remote switching on/off

This control can be used to switch the inverter on/off through an external (remote) control.

B.2 Feeding reactive power into the grid

The inverter is able to produce reactive power and can therefore feed it into the grid through the setting of the phase shift factor. Feed-in management can be controlled directly by the grid company through a dedicated RS485 serial interface.

B.3 Limiting the active power fed into the grid

The inverter, if enabled can limit the amount of active power fed into the grid by the inverter to the desired value (expressed as a percentage).

B.4 Self power reduction when grid over frequency

When the grid frequency is over limited value, inverter will reduce output power which do good to the grid stability.

B.5 Power reduction due to environmental conditions, input output voltage

The power reduction value and the inverter temperature at which it occurs depend on the ambient temperature and on many operating para-meters. Example: input voltage, grid voltage and power available from the photovoltaic field. The inverter can therefore reduce the power during certain periods of the day and according to the value of these parameters.

C. Data transmission

The inverter may be monitored remotely through an advanced communications system based on an RS485 serial interface, or remotely via the WIFI.

D. Software update

SD card is used for updating the firmware.

E. Monitoring string inputs

The inverter can monitor and display the voltage and current of each individual string input. It also checks the status of the strings and generates a warning in the event of a fault.

2.3 Protection modules

A. Anti-islanding

In the event of a local grid outage by the electricity company, or when the equipment is switched off for maintenance operations, the inverter must be physically disconnected safely, to ensure protection of people working on the grid, all in accordance with the relevant national standards and laws. To prevent possible islanding, the inverter is equipped with an automatic protective disconnection system called “Anti-Islanding”.

B. RCMU

Sofar inverters are equipped with a redundancy current device to monitor ground leakage current sensitive to all components of both direct and alternating current. When the steady-state leakage current is larger than 300mA or instant leakage current is higher than 30mA/60mA /150mA, inverter will disconnect the grid in different time delay.

C. Grid monitoring

Continuous monitoring of the grid voltage to ensure the voltage and frequency values stay within operating limits.

D. Inverter internal device protection

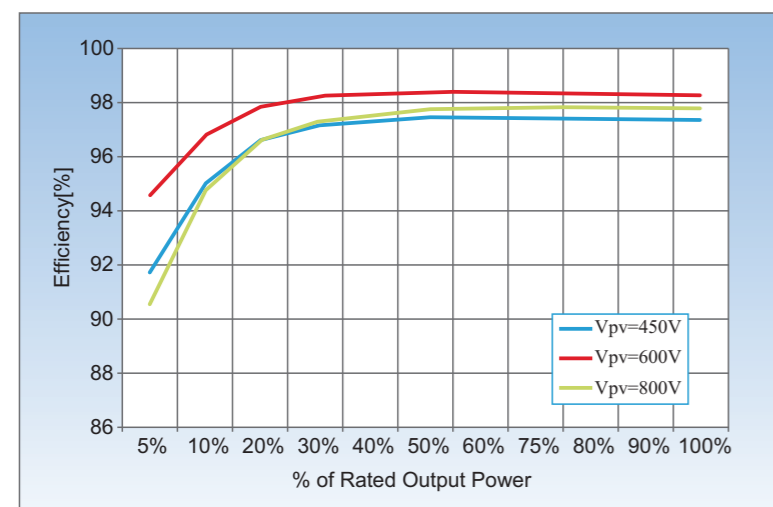
The inverter has all kinds of internal protection to protect the device inside when grid or input DC side have abnormal situation.

E. Ground fault protection

This inverter must be used with panels connected with “floating” connections, that is, with positive and negative terminals without ground connections, or it may damage the inverter. An advanced ground fault protection circuit continuously monitors the ground connection and disconnects the inverter when a ground fault is detected. The ground fault condition is indicated by a red LED on the front panel.

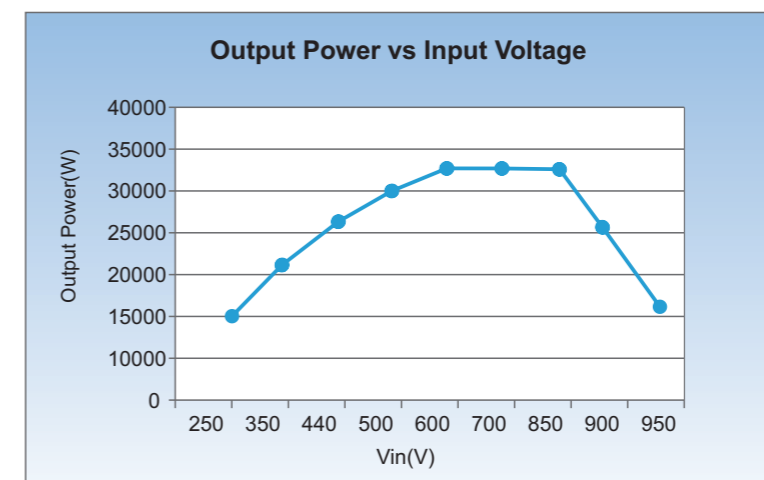
2.4 Efficiency and derating curve

Efficiency curve



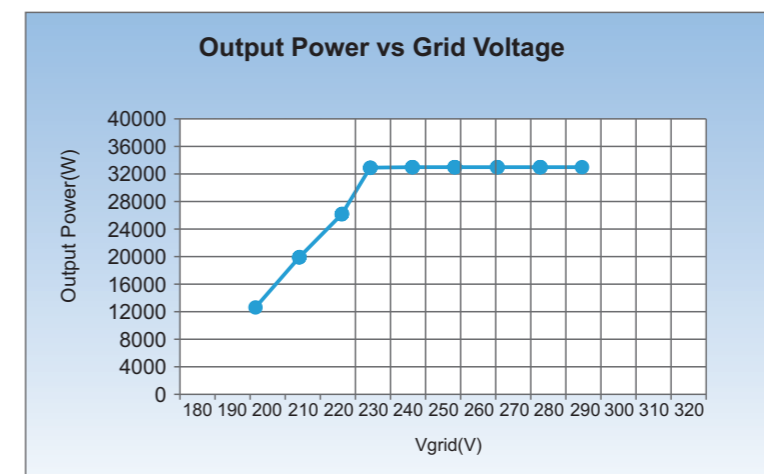
20~33KTL-G2 outputs 230V AC/50Hz

Input voltage derating curve



20~33KTL-G2 outputs 230V AC/50Hz

Output voltage derating curve






3 Installation

Outlines of this chapter

This topic describes how to install the Sofar 20~33KTL-G2.

Installation notes

 Danger	<ul style="list-style-type: none"> Do not install the Sofar inverter on flammable building materials. Do not store the Sofar inverter in areas with flammable or explosive materials.
 Caution	<p>Do not install the Sofar inverter in places prone to body contact because the Sofar inverter shelf and heat sinks become hot during the Sofar inverter operation.</p>
 Attention	<ul style="list-style-type: none"> Take the Sofar inverter weight into consideration when transporting and moving the Sofar inverter. Install the Sofar inverter in an appropriate position and surface. Assign at least two persons to install the Sofar inverter.

3.1 Installation Process

This topic describes the process for installing the Sofar 20~33KTL-G2.

3.2 Checking Before Installation

Before unpacking, check that the packing materials are intact. After unpacking, check that the deliverables are complete and intact.

3.3 Tools

Prepare tools required for installation and electrical connections.

3.4 Determining the Installation Position

Determine an appropriate position for installing inverter.

3.5 Moving the inverter

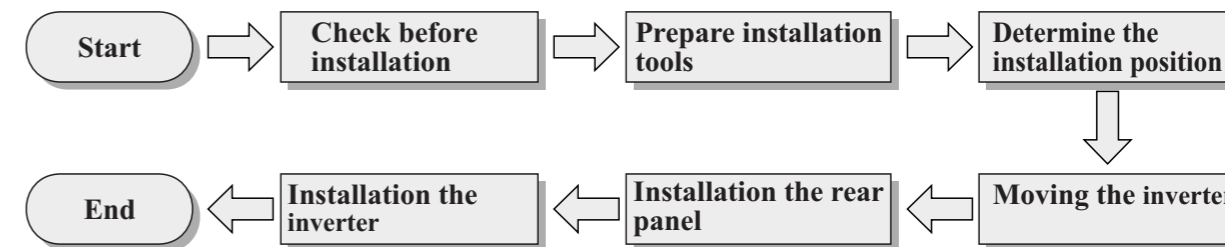
This topic describes how to move inverter to the installation position horizontally.

3.6 Installing the inverter

Before installing inverter, secure the shipped rear panel to the wall. Then secure inverter to the rear panel by using hexagon screws.

3.1 Installation Process

Figure3-1 Installation flowchart



3.2 Checking Before Installation

Checking Outer Packing Materials

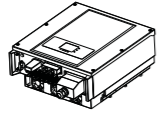
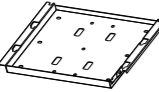


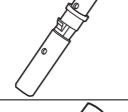


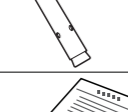



Packing materials and components may be damaged during transportation. Therefore, check the outer packing materials before installing the inverter. Checking the surface of packing materials for damage, such as holes and cracks. If any damage is found, do not unpack the inverter and contact the dealer as soon as possible. You are advised to remove the packing materials within 24 hours before installing the inverter.

Checking Deliverables

After unpacking the inverter, check whether deliverables are intact and complete. If any damage is found or any component is missed, contact the dealer.

Check the list in the table 3-1.

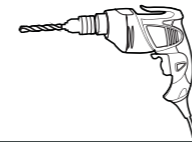
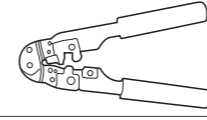
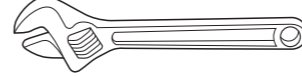
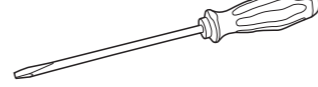
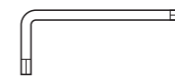
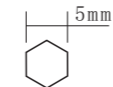

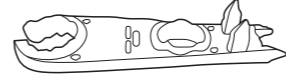

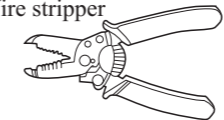
Table3-1 shows the components and mechanical parts that should be delivered

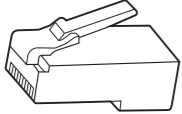
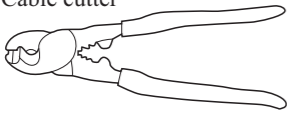
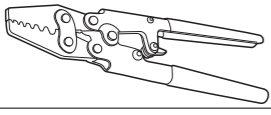
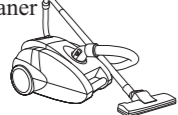
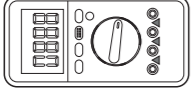

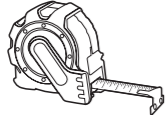
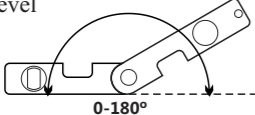



No.	Pictures	Quantity	Description
1		1PCS	Sofar 20~33KTL-G2
2		1PCS	Rear panel
3		20KTL-G2 4PCS 25KTL-G2 6PCS 30KTL-G2 6PCS 33KTL-G2 6PCS	DC+ input terminal
4		20KTL-G2 4PCS 25KTL-G2 6PCS 30KTL-G2 6PCS 33KTL-G2 6PCS	DC- input terminal
5		20KTL-G2 4PCS 25KTL-G2 6PCS 30KTL-G2 6PCS 33KTL-G2 6PCS	Metal terminals secured to DC+ input power cables
6		20KTL-G2 4PCS 25KTL-G2 6PCS 30KTL-G2 6PCS 33KTL-G2 6PCS	Metal terminals secured to DC- input power cables
7		2PCS	M6 Hexagon screws
8		6PCS	M8*80 Expansion bolts used to secure the rear panel to the wall
9		1PCS	Manual
10		1PCS	The warranty card
11		1PCS	Certificate

3.3 Tools

Prepare tools required for installation and electrical connections.

Table3-1 Shows the components and mechanical parts that should be delivered

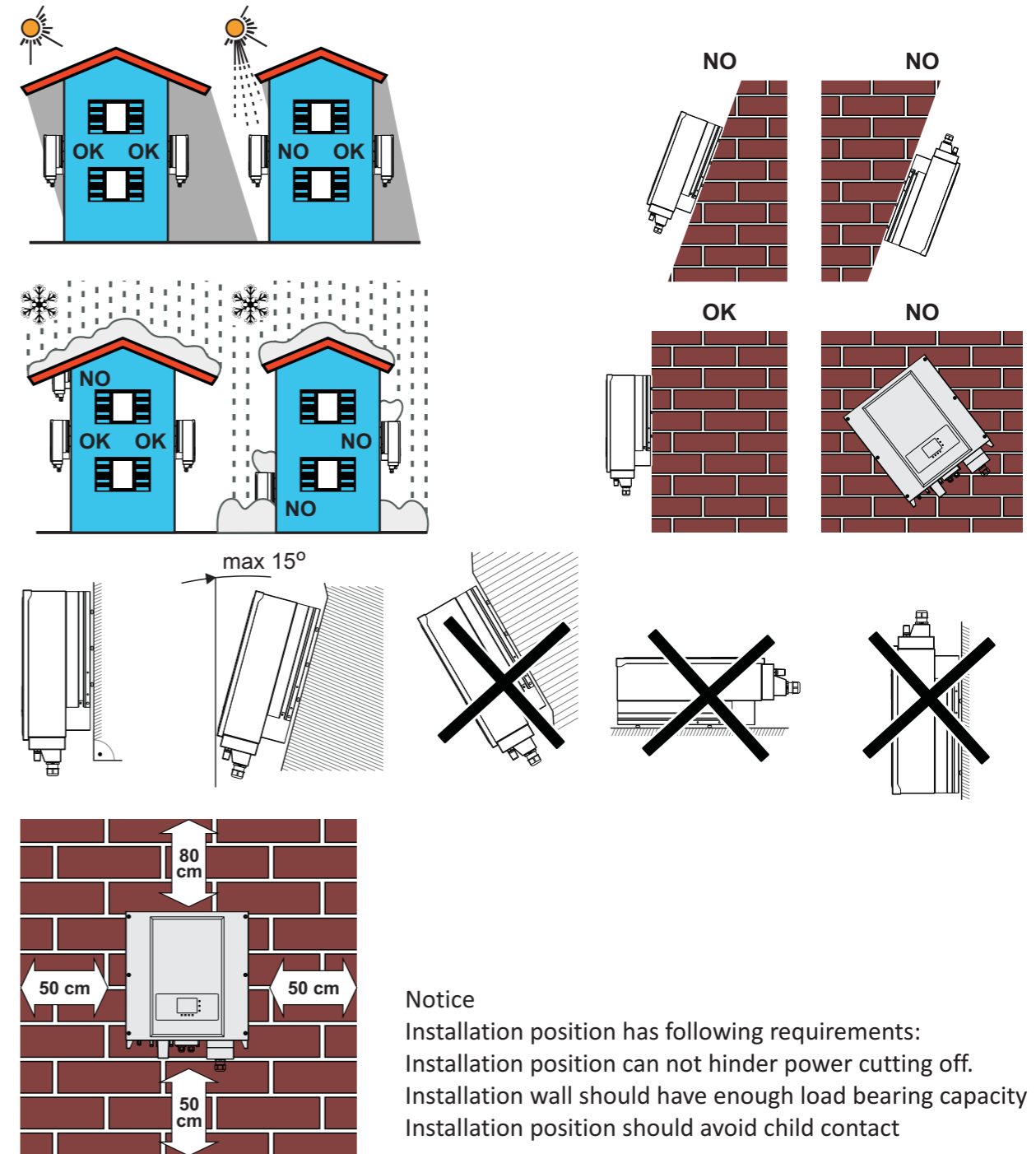
Tool	Model	Function
Hammer drill 	With a drill bit of $\Phi 8.0$	Used to drill holes on the wall
RJ45 crimping tool 	N/A	Used to prepare RJ45 connectors for Communications cables
Adjustable wrench 	With an open end of larger than or greater than 32 mm	Used to tighten expansion bolts
Flat-head screwdriver 	N/A	<ul style="list-style-type: none"> Used to tighten or loosen screws when installing AC power cables. Used to remove AC connectors from the sofars 20~33KTL-G2. Note: The torque screwdriver and flat-head screwdriver are alternative.
Socket wrench 	M6 	Fix rear panel and ground bolts
Rubber mallet 	N/A	Used to hammer expansion bolts into holes
Removal tool 	N/A	Used to remove DC connectors from the sofars 20~33KTL-G2.
Diagonal pliers 	N/A	Used to cut and tighten cable ties
Wire stripper 	N/A	Used to peel cable jackets

Tool	Model	Function
	RJ45	2PCS
Cable cutter 	N/A	Used to cut power cables
Crimping tools 	N/A	Used to crimp power cables
Vacuum cleaner 	N/A	Used to clean up dusts after drilling holes
Multimeter 	N/A	Used to check grounding
Marker 	N/A	Used to mark signs
Measuring tape 	N/A	Used to measure distances
Level 	N/A	Used to ensure that the rear panel is properly installed
ESD gloves 	N/A	Operators wear ESD gloves when installing equipment.
Safety goggles 	N/A	Punch operator wearing
Anti-dust respirator 	N/A	Punch operator wearing

3.4 Determining the Installation Position

Determine an appropriate position for installing the Sofar 20~33KTL-G2. Comply with the following requirements when determining the installation position:

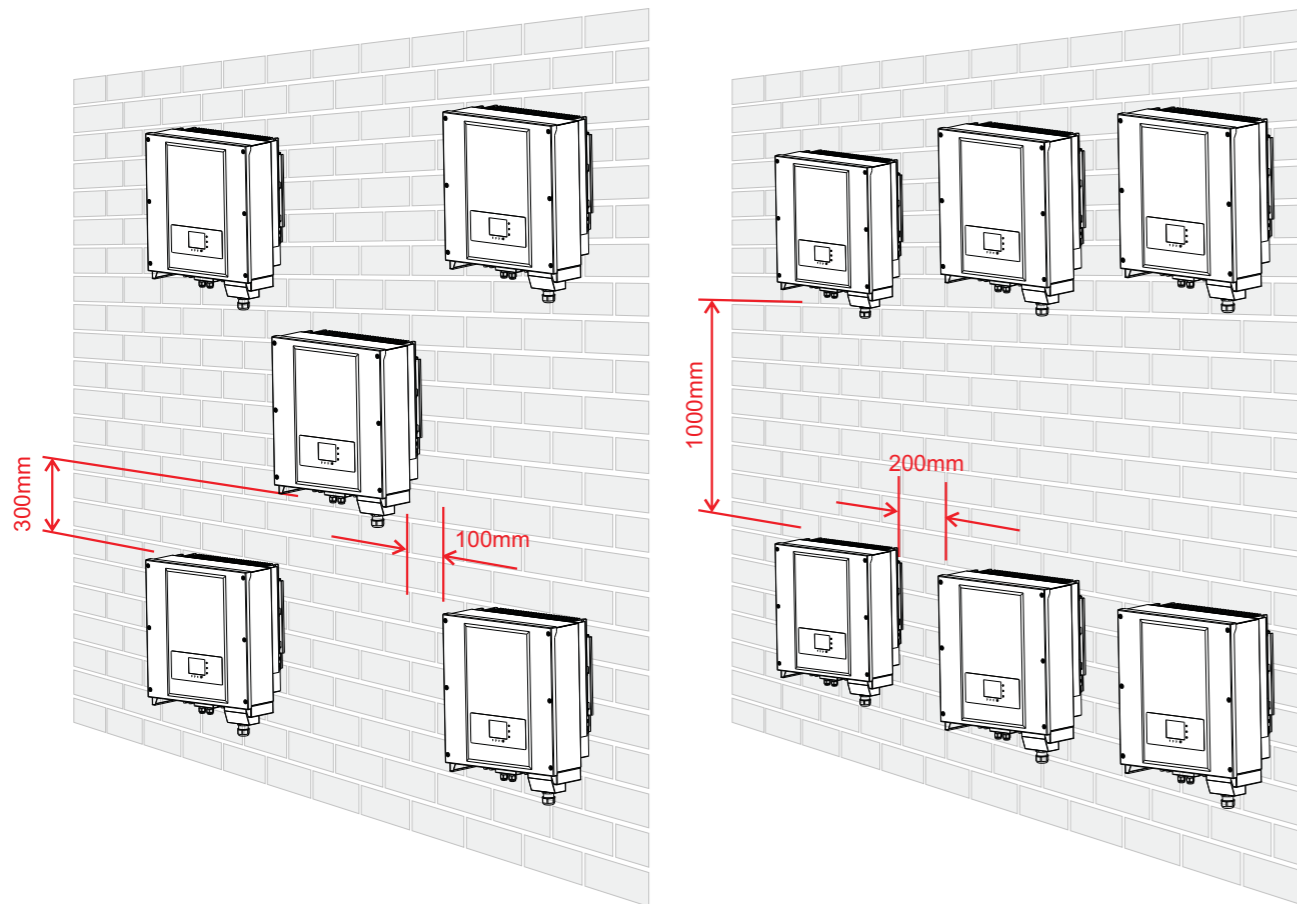
Figure 3-2 Installation position requirements



Notice
 Installation position has following requirements:
 Installation position can not hinder power cutting off.
 Installation wall should have enough load bearing capacity
 Installation position should avoid child contact

Minimum installation distance for single Sofar 20~33KTL-G2

Many sofar 20~33KTL-G2 installation



3.5 Moving the Sofar 20~33KTL-G2

This topic describes how to move the Sofar 20~33KTL-G2 to the installation position horizontally

Procedure

Step 1 Opening the packing, insert hands into the slots on both sides of the Sofar 20~33KTL-G2 and hold the handles, as shown in Figure 3-3 and Figure 3-4. Two persons are required to move the Sofar 20~33KTL-G2.

Figure 3-3 Moving the Sofar 20~33KTL-G2 (1)

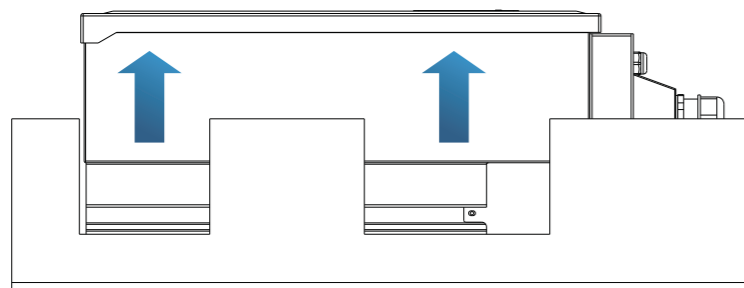
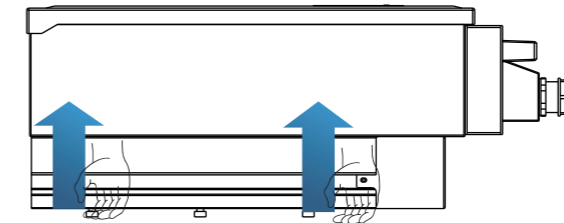


Figure3-4 Moving the Sofar 20~33KTL-G2 (2)



Step 2 Lift the Sofar 20~33KTL-G2 from the packing case and move it to the installation position.

	<ul style="list-style-type: none"> To prevent device damage and personal injury, keep balance when moving the sofar 20~33KTL-G2 because the Sofar 20~33KTL-G2 is heavy. Do not put the Sofar 20~33KTL-G2 with its wiring terminals contacting the floor because the power ports and signal ports are not designed to support the weight of the Sofar 20~33KTL-G2. Place the Sofar 20~33KTL-G2 horizontally. When placing the Sofar 20~33KTL-G2 on the floor, put foam or paper under the Sofar 20~33KTL-G2 to protect its shell.
--	---

Attention

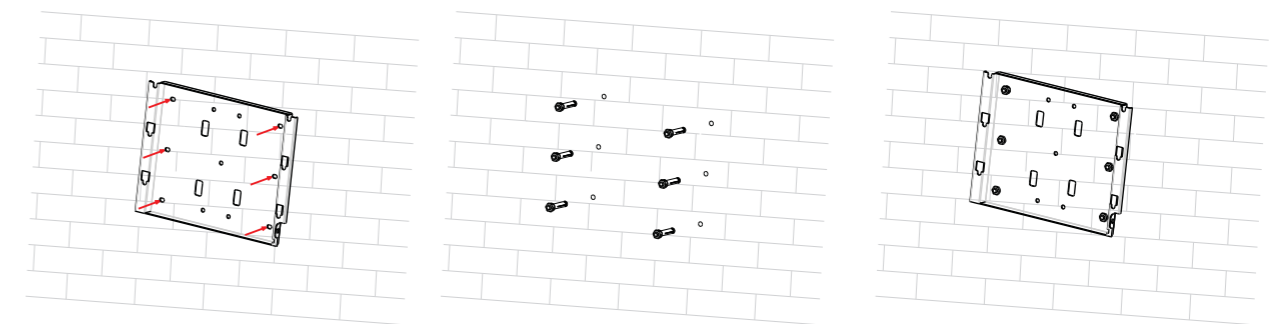
--- End

3.6 Installing the Sofar 20~33KTL-G2

Step 1 To determine the position for drilling holes, level hole positions, and then mark the hole position by using a marker, use the hammer drill to drill hole on the wall. Keeping the hammer perpendicular to the wall, do not shake when drilling, so as not to damage the walls. If the aperture errors, need to reposition.

Step 2 The expansion screw is vertically inserted into the hole, pay attention to expanding screw insertion depth (not too shallow).

Step 3 Putting the rear panel on the wall, the rear panel is fixed by the nuts.



Step 1

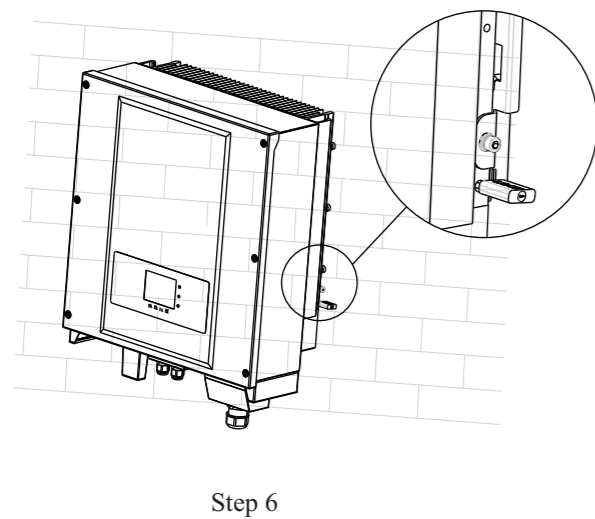
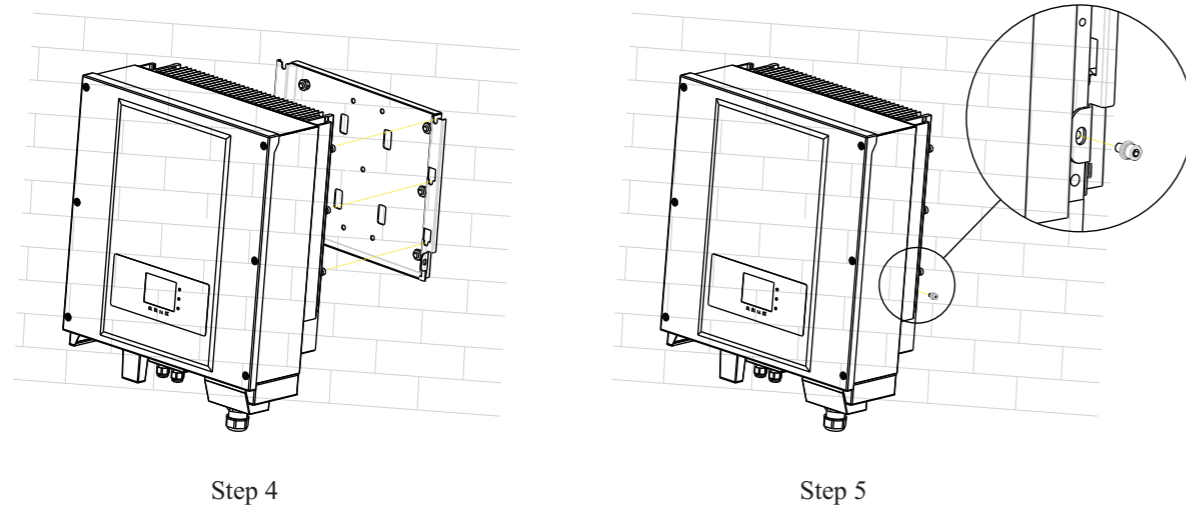
Step 2

Step 3

Step 4 Putting the inverter hook on the rear panel.

Step 5 Using an M6 screw back and inverter bottom fastening, to ensure safety.

Step 6 Putting the rear panel and inverter to lock together, In order to ensure the safety (the user can select lock according to the actual situation).






4 Electrical Connections

Outlines of this chapter

This topic describes the Sofar 20~33KTL-G2 electrical connections. Read this part carefully before connecting cables.

NOTE:

Before performing electrical connections, ensure that the DC switch is OFF. Since the stored electrical charge remains in a capacitor long after the DC switch is turned OFF. So it's necessary to wait for at least 5 minutes for the capacitor to be electrically discharged.

	Installation and maintenance of inverter, must be operated by professional electrical engineer.
Attention	
	PV modules generate electric energy before exposed to sunlight and can create an electrical shock hazard. Therefore, before connecting DC input power cable, cover PV modules using opaque cloth.
Danger	
	Sofar 20~33KTL-G2 has 2 MPP trackers, all PV modules connected to the same MPPT should have similar rated electrical characteristics (including Isc, Voc, Im, Vm, Pm and temperature coefficients), have the same number of series connected PV modules and be all in the same orientation (azimuth and tilt angle).
Note	

4.1 Electrical connection

This topic describes the electrical connection process.

4.2 Connecting PGND Cables

Connect inverter to the grounding electrode using protection ground (PGND) cables for grounding purposes.

4.3 Connecting AC Output Power Cables

Connect inverter to the AC power distribution frame (PDF) or electrical grid using AC output power cables after obtaining approval from local electrical grid operator.

4.4 Connecting Communication Cables

This topic describes the functions of WIFI and RS485 ports and the method of connecting WIFI and RS485 communication cables.

4.5 Connecting DC Input Power Cables

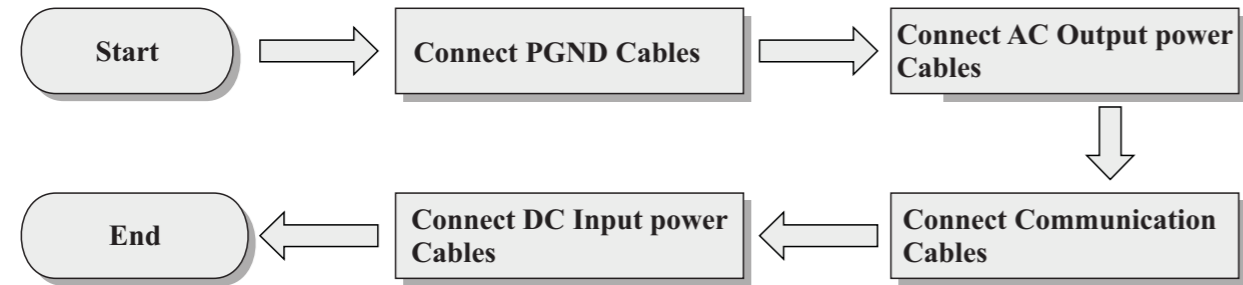
Connect inverter to PV arrays using DC input power cables.

4.6 Safety check

Before start the inverter, comply with the safety precautions and check AC、DC connections.

4.1 Electrical connection

Figure4-1 Shows the flowchart for connecting cables to the Sofar 20~33KTL-G2



4.2 Connecting PGND Cables

Connect inverter to the grounding electrode using protection ground (PGND) cables for grounding purposes.

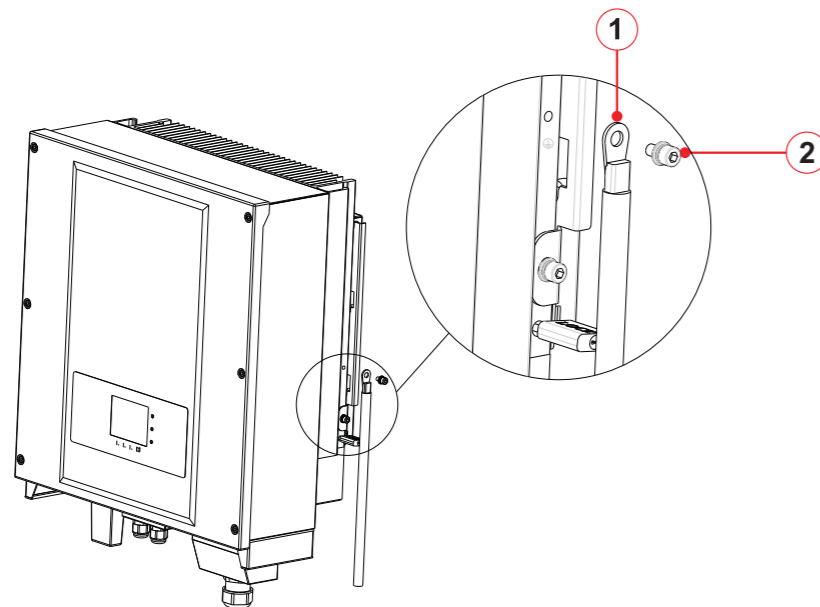
	<p>The inverter is transformerless, Requires The positive pole and the negative pole of the PV array are not grounded, Otherwise it will cause inverter failure, In the PV power generation system, all non current carrying metal parts(such as: Bracket, Junction box shell, inverter shell) should be connected to earth.</p>
Attention	



Note:

- Good grounding for the Sofar 20~33KTL-G2 can help resist the impact of the surge voltage and improve the EMI performance. First connect the PGND cable before connecting the AC power cable, DC power cable, and communication cable.
For the system with one Sofar 20~33KTL-G2, connect the PGND cable to the ground. For the system with multiple Sofar 20~33KTL-G2, connect the PGND cables of all Sofar 20~33KTL-G2 to the grounding electrode using equipotential bonding.
- If the installation location is near the ground, first connect the PGND cable to the ground before installing the Sofar 20~33KTL-G2 on the wall.

Figure4-2 Ground terminal composition



1. OT Terminal 2. M6 Ground Connection terminal

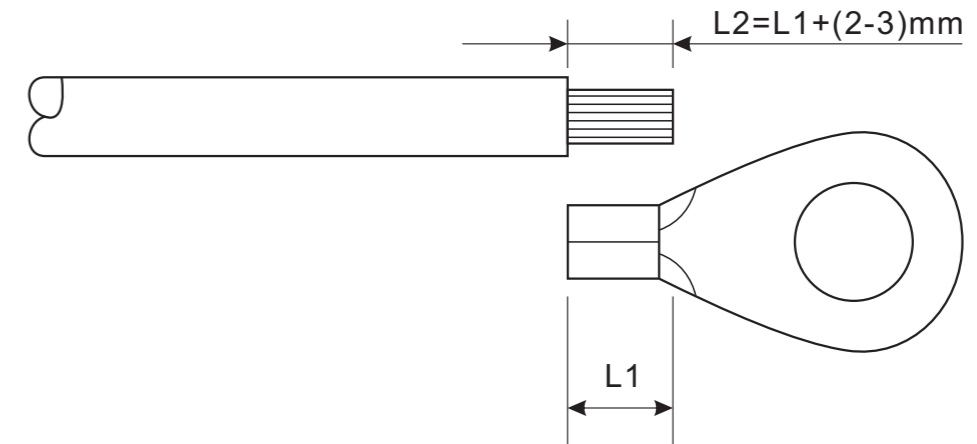
Prerequisites:

The PGND cables are prepared (8 AWG outdoor power cables are recommended for grounding purposes).

Procedure:

Step 1 Remove the insulation layer with an appropriate length using a wire stripper, as shown in Figure 4-3.

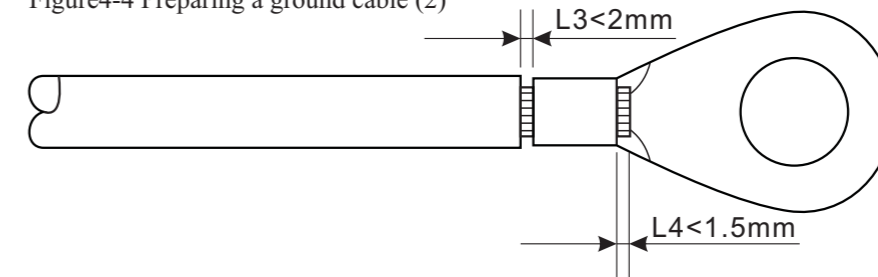
Figure4-3 Preparing a ground cable (1)



Note : L2 is 2 to 3mm longer than L1

Step 2 Insert the exposed core wires into the OT terminal and crimp them by using a crimping tool, as shown in Figure 4-4. OT terminal is recommended The PE cable is better larger than 6m2.

Figure4-4 Preparing a ground cable (2)



Note 1: L3 is the length between the insulation layer of the ground cable and the crimped part. L4 is the distance between the crimped part and core wires protruding from the crimped part.

Note 2: The cavity formed after crimping the conductor crimp strip shall wrap the core wires completely. The core wires shall contact the terminal closely.

Step 3 Install the crimped OT terminal, flat washer, and spring washer on the M5 welded stud, and tighten the nut to a torque of 5 N.m using a socket wrench.




Note:

To enhance the anti-corrosion performance of the ground terminals, apply silica gel on them after connecting the ground cable.

4.3 Connecting AC Output Power Cables

Connect the Sofar 20~33KTL-G2 to the AC power distribution frame (PDF) or electrical grid using AC output power cables.

 Caution	<ul style="list-style-type: none"> • It is not allowed for several inverters to use the same circuit breaker. • It is not allowed to connect loads between inverter and circuit breaker.
---	--

Context

All the AC output cables used for the inverters are outdoor five-core cables. To facilitate the installation, use flexible cables. Table 4-1 lists the recommended specifications for the cables and the breakers.

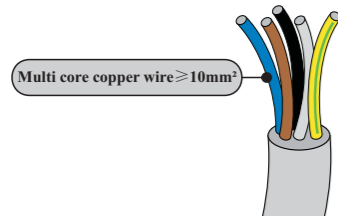
Table4-1

Type	SOFAR 20000TL-G2	SOFAR 25000TL-G2	SOFAR 30000TL-G2	SOFAR 33000TL-G2
Cable(Copper)	≥ 10mm ²	≥ 10mm ²	≥ 12mm ²	≥ 12mm ²
Breaker	40A	50A	63A	63A

Note: For the sake of safety, please make sure to use correctly sized cables, otherwise the current makes the cable overheat or overload, even cause a fire.

The leakage current of micro breaker should be $100mA \leq I_{fn} \leq 300mA, 0.1S$.

Multi core copper wire



The impedance of grid-tied should be less than 0.85ohm. To insure reliable anti-islanding function, user should choose PV specified cable to make sure the power loss less than 1% of rated power. The grid-tied point should be less than 150m. Check the table 4-2 for AC cable specification and maximum length for each model.

Table4-2

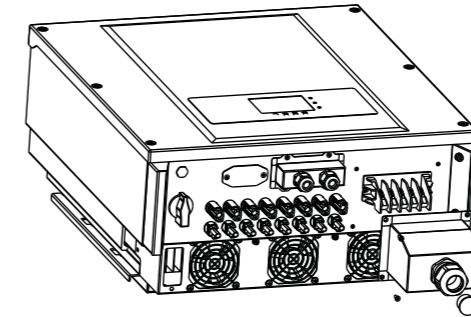
The cable cross-sectional area(mm ²)	The maximum length(m)			
	SOFAR 20000TL-G2	SOFAR 25000TL-G2	SOFAR 30000TL-G2	SOFAR 33000TL-G2
10	30	27	23	27
13	49	44	38	44

AC side installation procedure

Sofar 20~33KTL-G2 is a three-phase output inverter, strictly comply with local grid-connection requirements and safety standards.

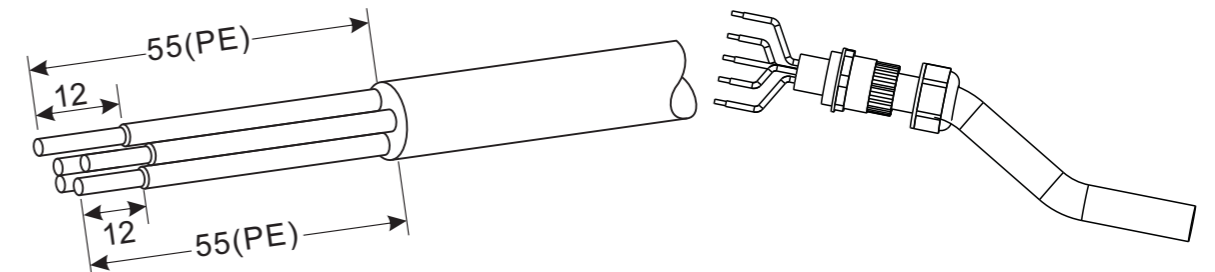
Step 1 Open the AC connector cover.

Figure4-5 Open the cover schematic diagram



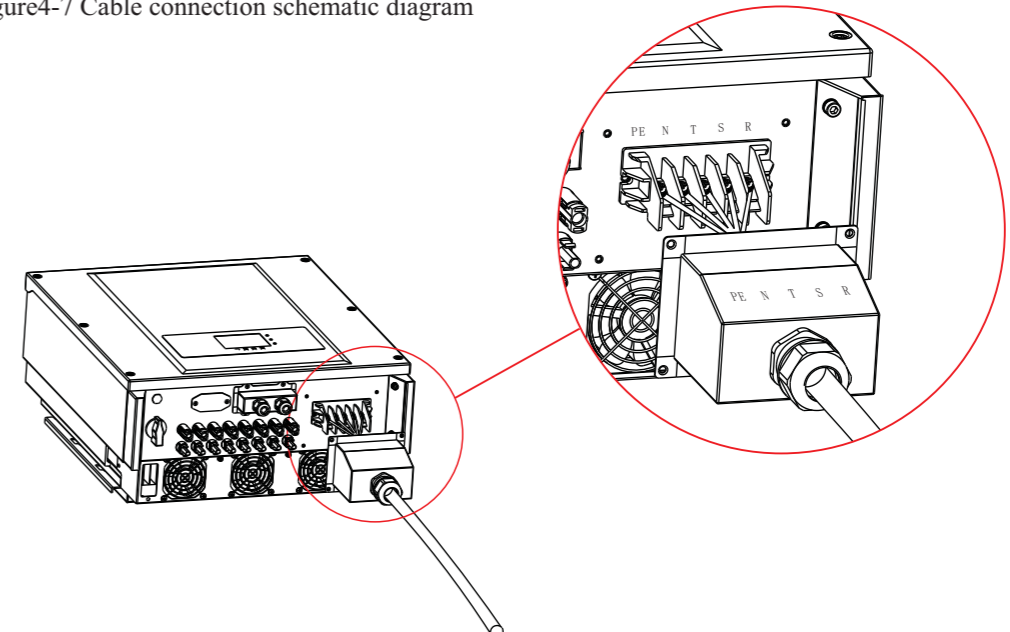
Step 2 Remove the insulation layer of an appropriate length according to figure 4-6, then insert the AC output cable through the PG waterproof cable gland.

Figure4-6 AC Output Cable schematic diagram



Step 3 Connecting the AC output power cable: The AC output cable(R,S,T,N and PE) is connected to the terminal block, as shown in figure 4-7.

Figure4-7 Cable connection schematic diagram

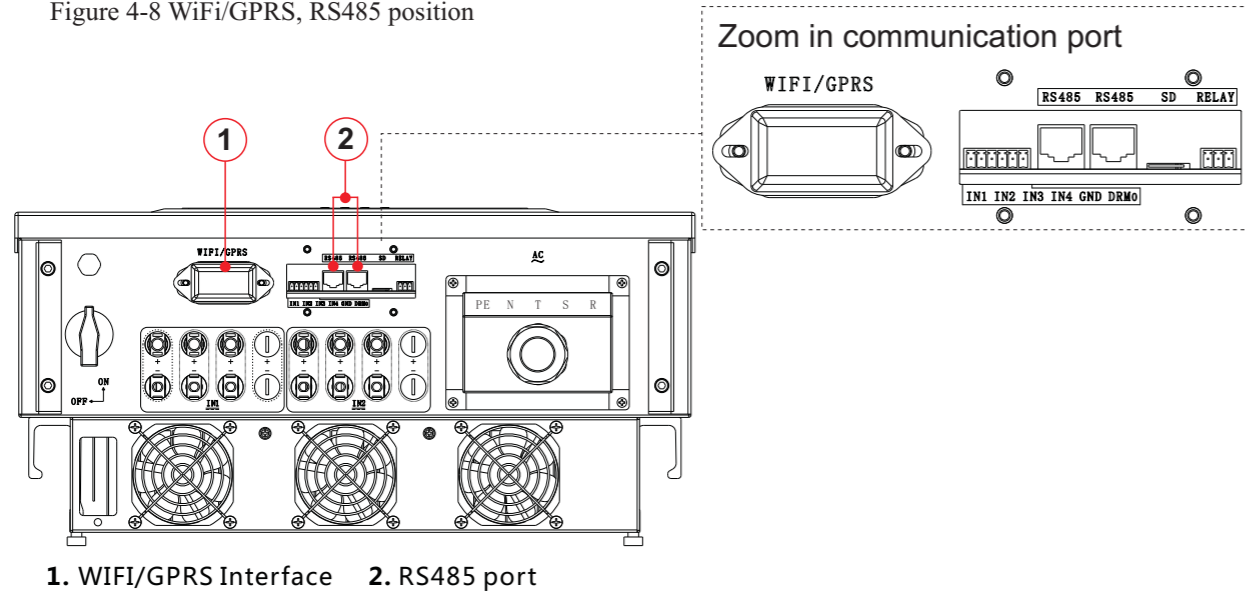


4.4 Connecting Communications Cables

Connecting Communications Port

20~33KTL-G2 inverter has 3 communication ports: 2 RS485 ports, 1 WiFi/GPRS port, as shown below

Figure 4-8 WiFi/GPRS, RS485 position



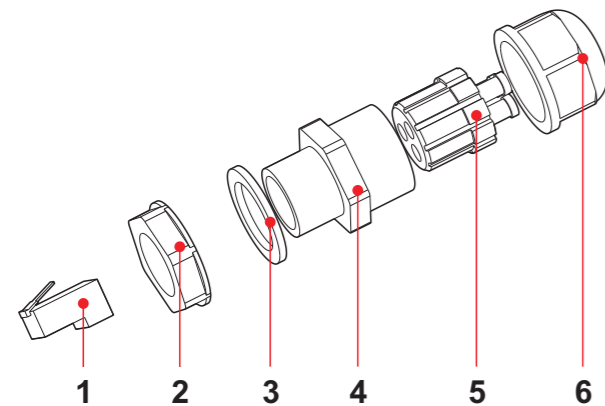
Connecting RS485 Communications Cables

By the RS485 communication line, connecting Sofar 20~33KTL-G2 to communication equipment (such as data acquisition, PC terminal).

You are recommended to use 24 AWG outdoor shielded network cables with the internal resistance less than or equal to 1.5 ohms/10 m and external diameter of 4.5 mm to 7.5 mm as RS485 communications cables.

A waterproof RJ45 connector has six parts: plug, screw nut, seals, housing, sealing plug and cable screw nut, as shown as follow.

Figure 4-9 Waterproof RJ45 connector composition



1. Plug 2. Screw nut 3. Seals 4. Housing 5. Sealing Plug 6. Cable Screw nut

When routing communications cables, ensure that communications cables are separated from power cables and away from interference sources to prevent communication interruptions.

Procedure

Step 1 Remove the insulation layer of an appropriate length from the shielded network cable using a wire stripper.

Step 2 Open sofar 20~33KTL-G2 lower cover and insert the shielded network cable into the cable screw nut, seals, screw nut.

Step 3 Connect the stripped network cable to corresponding pins on the plug, as shown as follow.

Figure 4-11 RS485 Connecting Communications Cables(1)

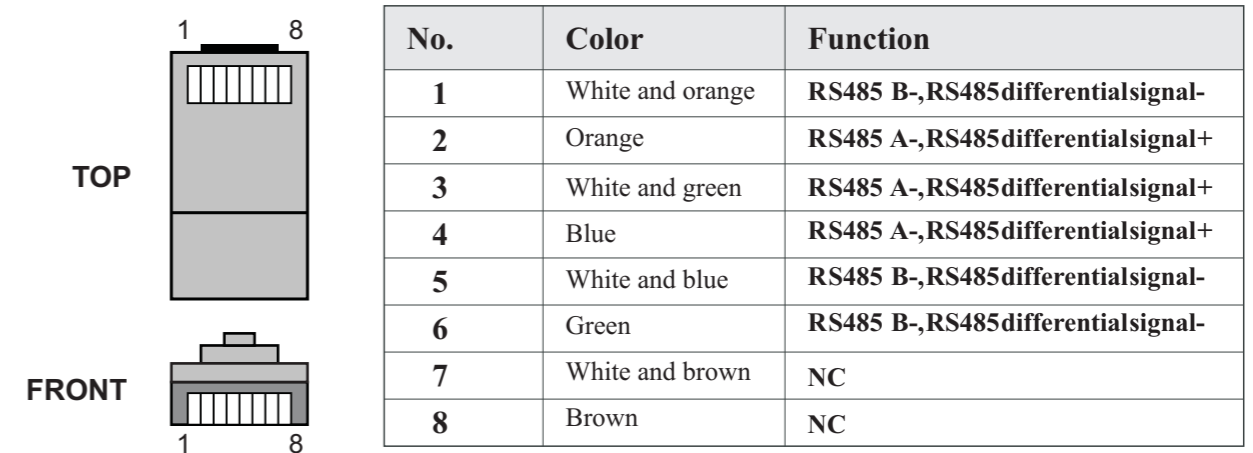
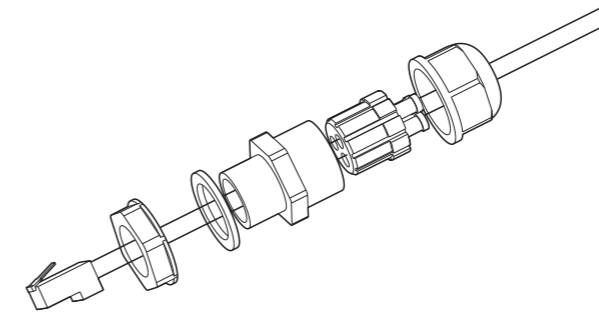


Figure 4-12 RS485 Connecting Communications Cables(2)

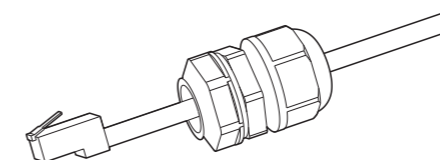


Step 4 Crystal plug with RJ45 crimping tool.

Step 5 Insert the plug into the RS485 port on the sofar 20~33KTL-G2.

Step 6 Insert sealing plug into housing, and tighten the screw nut.

Figure 4-13 RS485 Connecting Communications Cables(3)



--- End

Follow-up Procedure

To remove an RJ45 connector from sofar 20~33KTL-G2, remove the cable screw nut, press the clip on the RJ45 connector, and then pull out the shielded RJ45 connector.

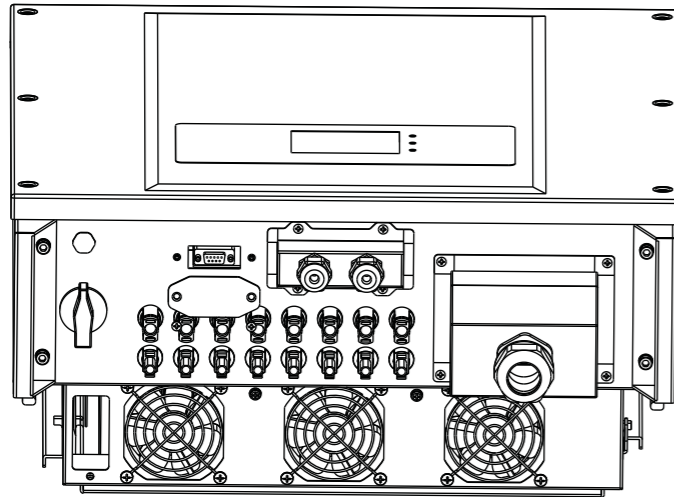
WiFi/GPRS communication

Monitor the inverter via WiFi/GPRS module.

Procedure:

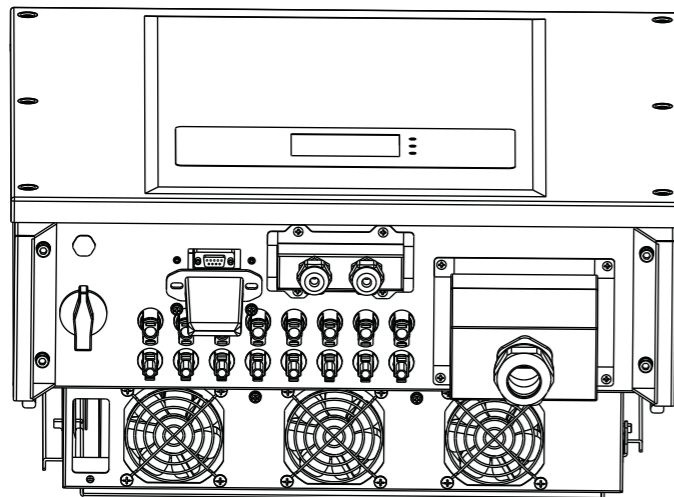
Step 1 Remove waterproof cover using screwdriver.

Figure 4-13 WIFI Connecting Communications Cables(1)



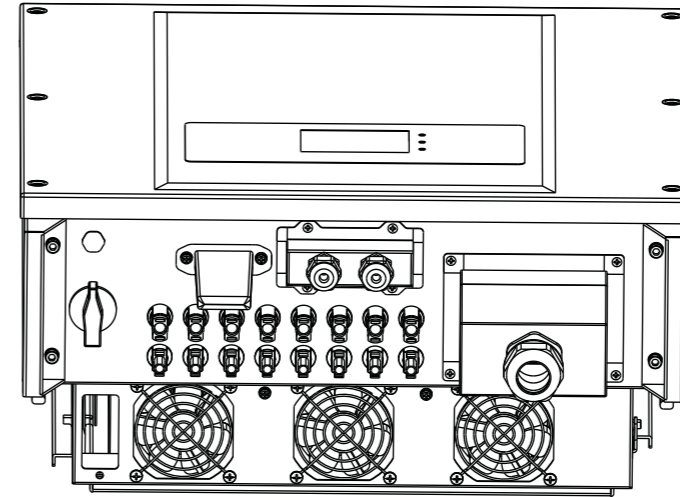
Step 2 Connect WiFi/GPRS module.

Figure 4-14 WIFI Connecting Communications Cables(2)



Step 3 Fix the WiFi/GPRS module using two screws.

Figure 4-15 WIFI Connecting Communications Cables(3)



Note: Follow the WiFi/GPRS manual to start monitoring your inverter.

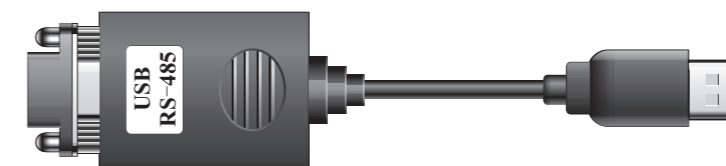
Communications Port Description

This topic describes the functions of the RS485 and WIFI ports.

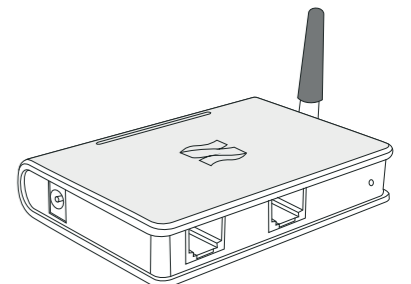
RS485

By RS485 interface, transfer the inverter power output information, alarm information, operation state to the PC terminal or local data acquisition device, then uploaded to the server (such as S-WE01S).

1. USB-RS485



2. S-WE01S

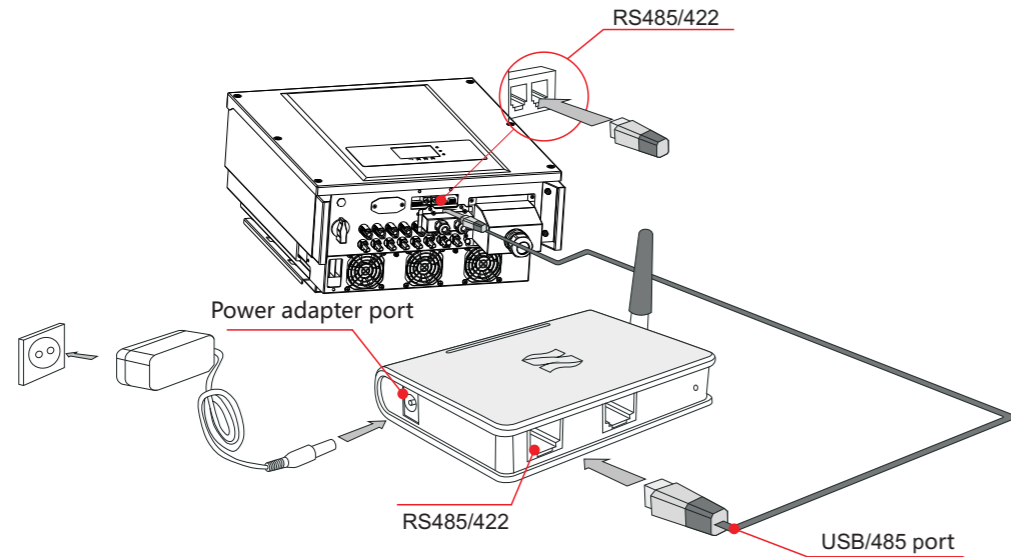


Set the match resistor by the SWT2, the corresponding list as follows (0 OFF, 1 ON).

SWT2_1	SWT2_2	State
0	Reserve	No connect
1	Reserve	Connect

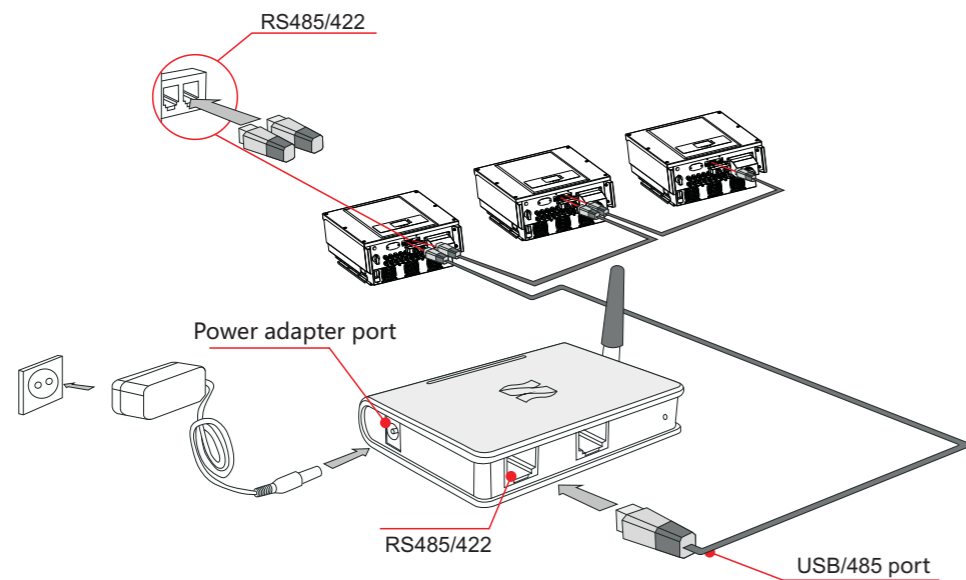
If only one Sofar 20~33KTL-G2 is used, use a communication cable with waterproof RJ45 connectors, and choose either of the two RS485 ports.

Figure 4-16 A single Sofar 20~33KTL-G2 connecting Communications



If multiple Sofar 20~33KTL-G2 are used, connect all Sofar 20~33KTL-G2 in daisy chain mode over the RS485 communication cable. Set different Modbus address(1~31) for each inverter in LCD display and set SWT2(match resistance) at the first and last inverter.

Figure 4-18 Multi Sofar 20~33KTL-G2 connecting Communications



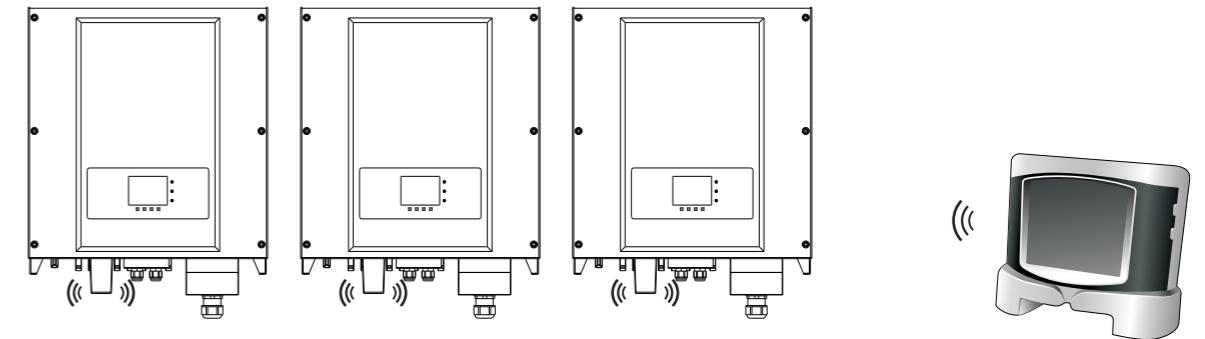
Register remote monitoring of Sofar 20~33KTL-G2 at its relevant website or APP according to monitoring device SN.

WIFI

By the WIFI interface, transfer the inverter power output information, alarm information, operation state to the PC terminal or local data acquisition device, then uploaded to the server (such as S-WE01S).

Register remote monitoring of Sofar 20~33KTL-G2 at its relevant website or APP according to monitoring device SN.

Figure 4-19 Connect multiple Wifi to wireless router



Note

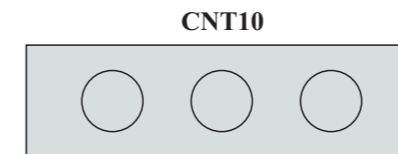
- The length of the RS485 communication cable should be less than 1000 m.
- The length of the Wifi communication cable should be less than 100 m.
- If multiple Sofar 20~33KTL-G2 are connected to the monitoring device over an RS485/RS232 converter, a maximum of 31 inverter can be connected in a daisy chain.
- If multiple Sofar 20~33KTL-G2 are connected to a S-WE01S, a maximum of 31 Sofar 20~33KTL-G2 can be connected in three daisy chains.

Connecting Relay Cables

The Sofar 20~33KTL-G2 has a multifunctional relay, its output can be configured. The connecting terminal in a communication board, as shown in Figure4-8. Connecting CNT10 view as shown as follow.

It can be connected to the normally open mode (i.e. connecting NO contact and COM contact), can also be configured as a normally closed mode (i.e. connecting NC contact and COM contact).

The Relay has 4 different control function, the details please see the LCD display interface settings on the set relay function description.



NC COM NO

No: normally open contact

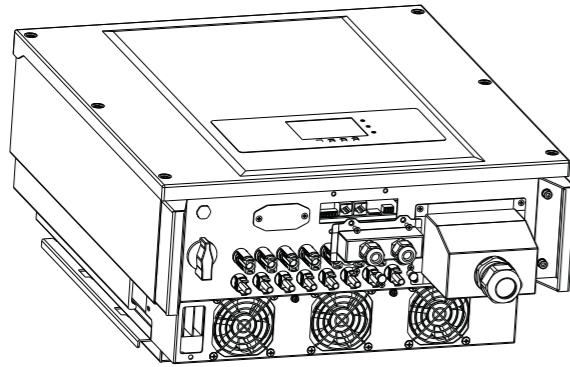
COM: common contact

Nc: normally closed contact

Procedure

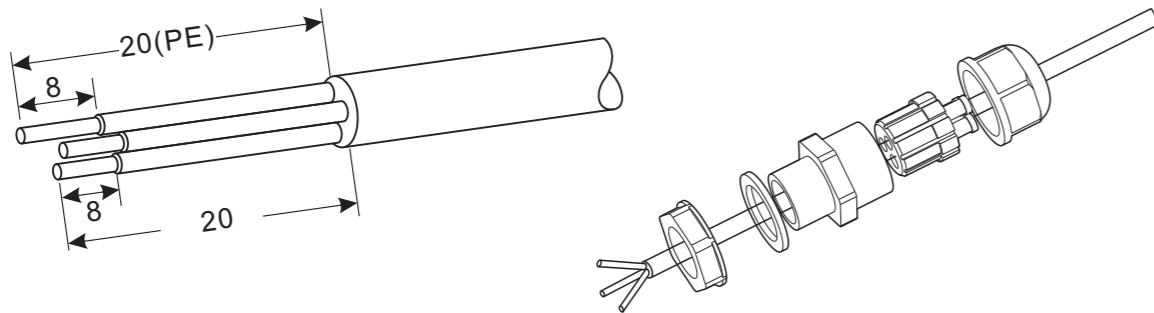
Step 1 To prepare the appropriate cable. The front of a wire stripping to will be in accordance with the following picture size, and then through the PG waterproof joint.

Figure 4-19 Relay Connection (1)



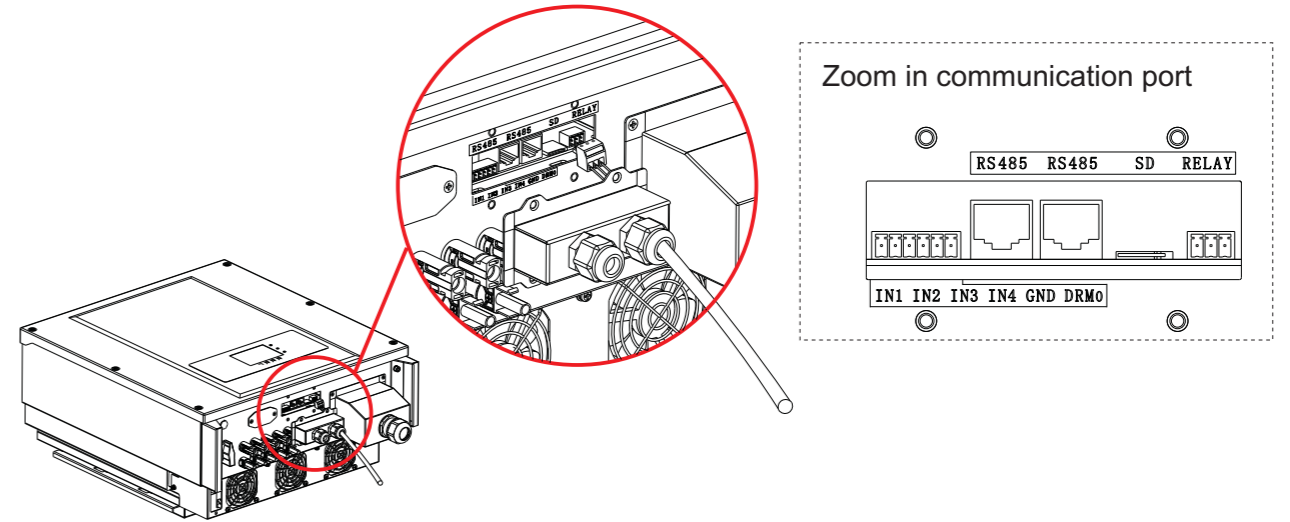
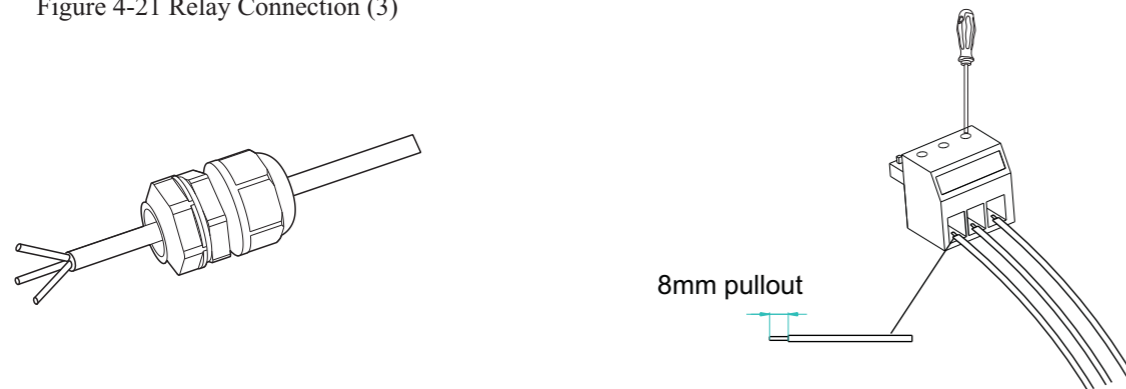
Step 2 Insert sealing plug into housing, and tighten the screw nut.

Figure 4-20 Relay Connection (2)



Step 3 The cable stripped to the corresponding stem node hole.

Figure 4-21 Relay Connection (3)



4.5 Connecting DC Input Power Cables

Connect the sofar 20~33KTL-G2 to PV arrays over DC input power cables.

Input mode selection : sofar 20~33KTL-G2 has 2 MPPT, The two MPPT can run independently, but also can be operated in parallel, According to the system design, the user can choose the mode of MPPT operation.

Independent mode (default):

If the two MPPT panels is independent, the input mode should be set as "independent mode".

The setting method is introduced at chapter 6.3.

Parallel mode :

If the two MPPT panels is paralleled together by combiner, the input mode should be set as "parallel mode".

The setting method is introduced at chapter 6.3.




Note




According to the inverter type, choose the inverter accessories (cables, fuse holder, fuse, breaker etc.), Sofar inverter with PV array should be excellent performance, reliable quality. The open circuit voltage of PV must be less than Maximum DC input voltage of Sofar inverter, The output voltage of the solar array must be consistent with the MPPT voltage range.

Table4-5 MPPT voltage range

Type	SOFAR 20000TL-G2	SOFAR 25000TL-G2	SOFAR 30000TL-G2	SOFAR 33000TL-G2
MPPT voltage range	230~960 Vdc	230~960 Vdc	230~960 Vdc	230~960 Vdc
Max. input voltage	1100 Vdc			

DC connection between inverter and string panel should be specified PV cable. Line voltage drop should be less than 2% from junction box to inverter. Inverter is recommended to be installed on or near PV panel bracket, which can save cable and reduce DC loss.

	<ul style="list-style-type: none"> • Check polarity of PV array, to ensure the correct wiring of PV array; • Please don't put the positive or negative of the PV array connect to earth.
Note	

	<ul style="list-style-type: none"> • PV modules generate electric energy when exposed to sunlight and can create an electrical shock hazard. Therefore, when connecting DC input power cable, cover PV modules by using opaque cloth. • Before performing electrical connections, ensure that voltages of the DC cables should be within the safe voltage range, that is, lower than 60 V DC, and the DC SWITCH is OFF. Otherwise, the high voltage may result in fatal danger.
Danger	
	<p>Ensure that the following conditions are met. Otherwise, fire accident may occur.</p> <ul style="list-style-type: none"> • PV modules connected in series in each PV array are of the same specifications. • The open-circuit voltage of each PV array is always lower than or equal to 1100 V DC. • The open-circuit voltage of each PV array is always lower than or equal to 15 A DC. • The output power of each PV array is always less than or equal to the maximum input power of the sofar 20~33KTL-G2. • The positive and negative terminals of PV arrays connect to the positive and negative DC input terminals respectively.
Caution	
	<ul style="list-style-type: none"> • If the Sofar 20~33KTL-G2 connects to the power grid directly, ensure that the PV arrays are not grounded. • If the DC voltage is a non-zero value between the positive terminal of PV arrays and the ground, the PV arrays are subject to insulation faults. Rectify the fault before connecting cables. • During PV array and Sofar 20~33KTL-G2 installation, the positive or negative terminals of PV arrays may be grounded if power cables are not properly installed or routed. In this case, an DC short circuit may occur and damage the Sofar 20~33KTL-G2. • If the PV arrays need to be grounded, install a three-phase four-wire isolation transformer on the output side and disable the ISO detection function by referring to 6.2.10 Setting Isolation Parameters. If an isolation transformer is not installed, the Sofar 20~33KTL-G2 may be damaged.
Note	

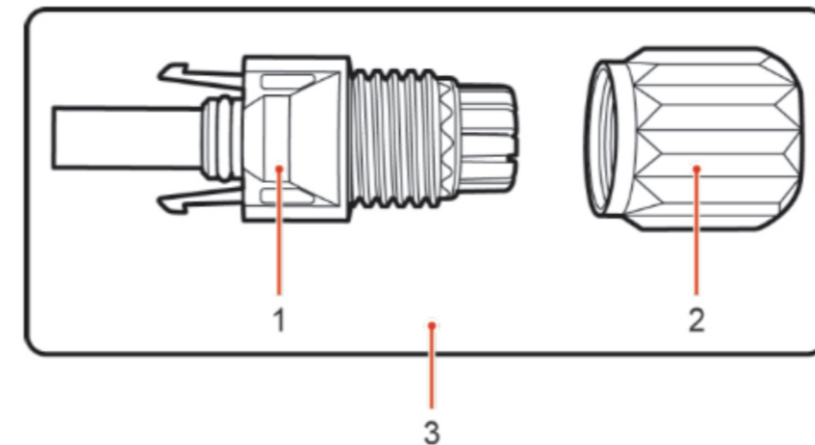
Context

Table 4-6 Recommended DC input cable specifications

Cross-Sectional Area (mm)		External Cable Diameter(mm)
Range	Recommended Value	
4.0~6.0	4.0	4.5~7.8

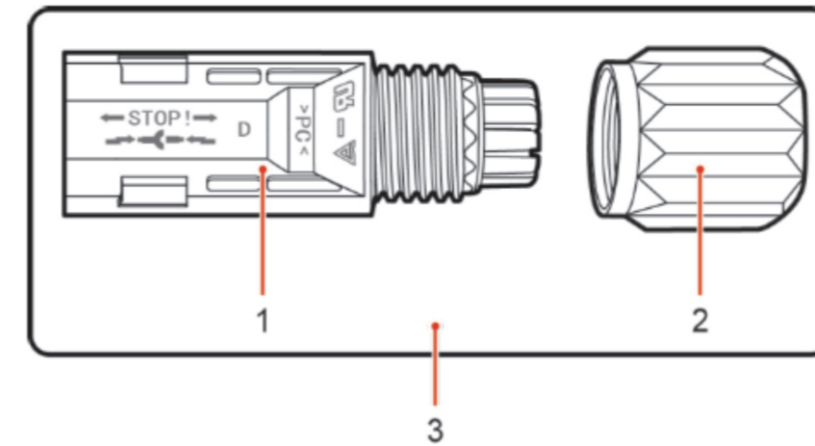
DC input connectors are classified into positive and negative connectors, as shown in Figure 4-24 and Figure 4-25.

Figure 4-23 Positive connector composition



1. Housing 2. Cable gland 3. Positive connector

Figure 4-24 Negative connector composition



1. Housing 2. Cable gland 3. Negative connector



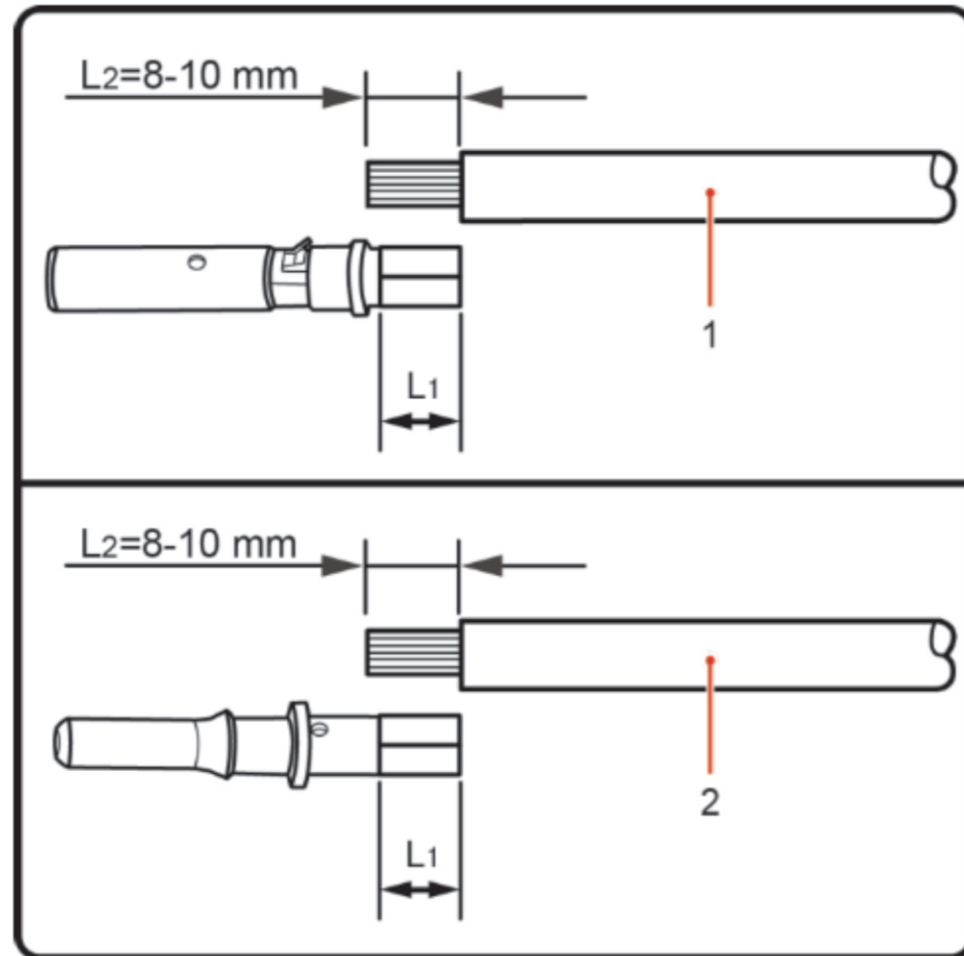
Positive and negative metal terminals are packed with positive and negative connectors respectively. Separate the positive from negative metal terminals after unpacking the Sofar 20~33KTL-G2 to avoid confusing the polarities.

Procedure

Step 1 Remove cable glands from the positive and negative connectors.

Step 2 Remove the insulation layer with an appropriate length from the positive and negative power cables by using a wire stripper as show in Figure 4-26.

Figure 4-25 Connecting DC input power cables



1. Positive power cable 2. Negative power cable



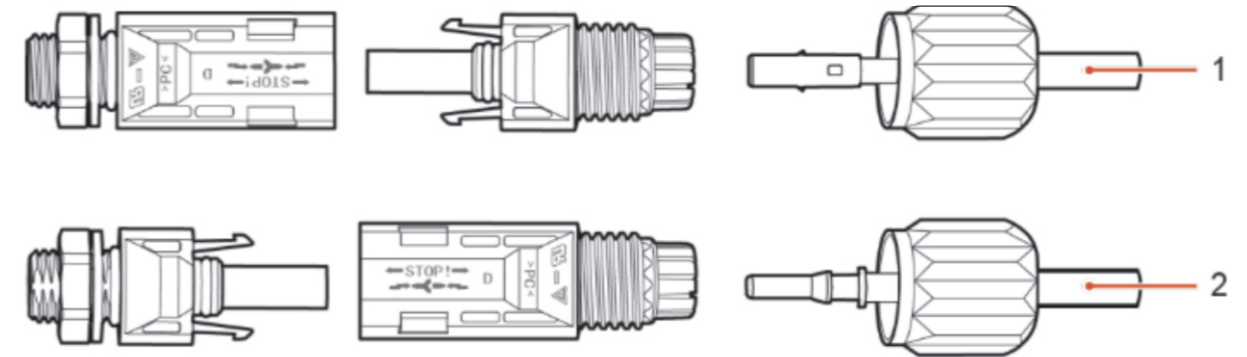
Note

L2 is 2 to 3 mm longer than L1.

Step 3 Insert the positive and negative power cables into corresponding cable glands.

Step 4 Insert the stripped positive and negative power cables into the positive and negative metal terminals respectively and crimp them using a clamping tool. Ensure that the cables are crimped until they cannot be pulled out by force less than 400 N, as shown in Figure 4-27.

Figure 4-26 Connecting DC input power cables



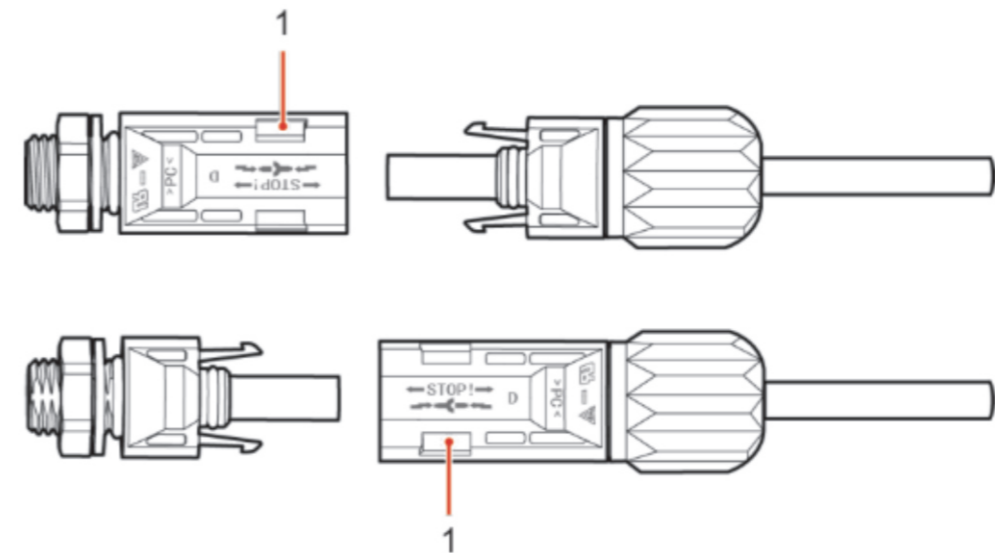
1. Positive power cable 2. Negative power cable

Step 5 Insert crimped power cables into corresponding housings until you hear a "click" sound. The power cables snap into place.

Step 6 Reinstall cable glands on positive and negative connectors and rotate them against the insulation covers.

Step 7 Insert the positive and negative connectors into corresponding DC input terminals of the Sofar 20~33KTL-G2 until you hear a "click" sound, as shown in Figure 4-28.

Figure 4-27 Connecting DC input power cables



1. Bayonet

— End

Follow-up Procedure

To remove the positive and negative connectors from the Sofar 20~33KTL-G2, insert a removal wrench into the bayonet and press the wrench with an appropriate strength, as shown in Figure 4-29.


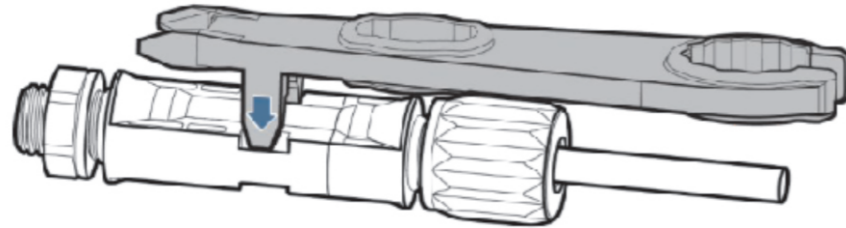
	<p>Before removing the positive and negative connectors, ensure that the DC SWITCH is OFF.</p>
<p>Caution</p>	

Figure 4-28 Removing a DC input connector



4.6 Safety check

• **Photovoltaic array**

Before the inverter operation, need to be examined for the photovoltaic array, Check Open circuit voltage of the each PV array whether accord with the requirements.

- Ensure Open circuit voltage of the each PV array accord with the requirements;
- Ensure that the positive and negative polarity is correct.

• **Sofar 20~33KTL-G2 DC connect**

Use the multimeter to check the DC side voltage and current;

Check the DC cable, Note the positive and negative poles cannot be reversed, Consistent with the positive and negative pole of photovoltaic array, measured each input Open circuit voltage

Compare the voltage, if the difference is greater than 3%, PV array line may be a fault

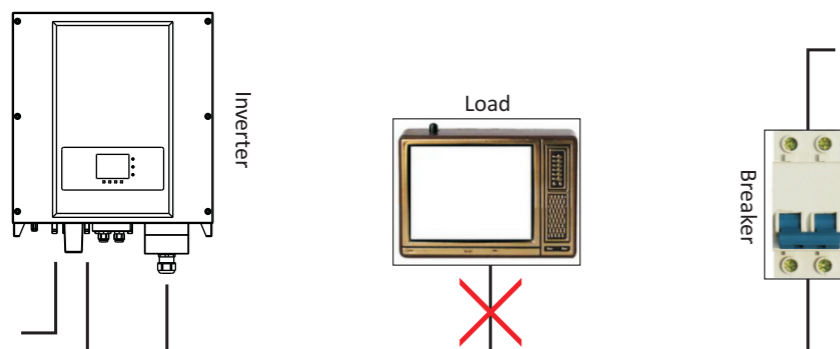
• **Sofar 20~33KTL-G2 AC connect**

Ensure the AC breaker of the inverter is off

Check the inverter phase with grid is connected properly, Check the voltage of each phase is within a predetermined range, if possible, Measure the THD, If the distortion is serious, the inverter may not work.


• **Installing cover and Locking screw.**

Figure4-29 NOT allowed: connect loads between inverter and circuit breaker



5 Commissioning of inverter

5.1 Safety inspection before commissioning

	<p>Ensure that DC and AC voltages are within the range permitted by the inverter.</p>
<p>Attention</p>	

5.2 Start inverter

Step 1 Turn on DC switch.

Step 2 Turn on AC switch.

When the solar arrays generate adequate power, the inverter will startup automatically. Display showing “normal” indicates correct operation.

Step 3: Choose the correct country code. (refer to section 6.3 of this manual)

Notice: Different distribution network operators in different countries have different requirements regarding grid connections of PV grid connected inverters.

Therefore, it's very important to make sure that you have selected the correct country code according to requirements of local authority.

Please consult qualified electrical engineer or personnel from electrical safety authorities about this.

Shenzhen SOFARSOLAR Co., Ltd. is not responsible for any consequences arising out of incorrect country code selection.

If the inverter indicates any other fault, please refer to part 7—error messages for help.

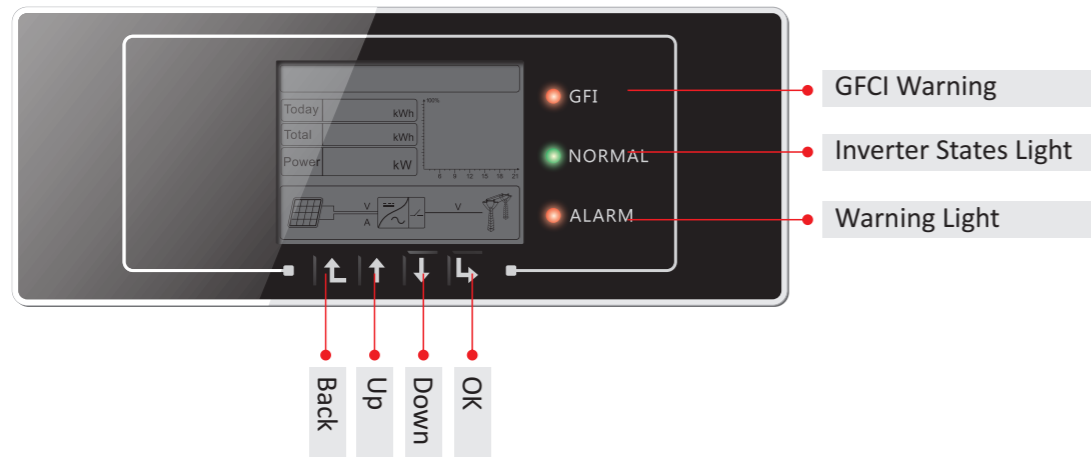
6 Operation interface

Outlines of this chapter


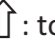
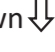

Introduce the display, operation, buttons and LED light of Sofar 20~33KTL-G2.

6.1 Operation and Display Panel

- Buttons and Indicator lights



Key-button:

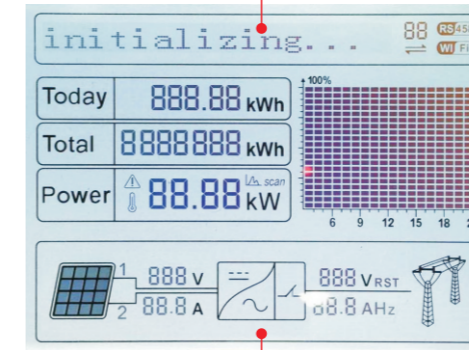
- Back : to back up or enter into main interface at standard interface states
- Up : to move up or increase value
- Down : to move down or decrease value
- Enter : to confirm selection

Indicator Lights:

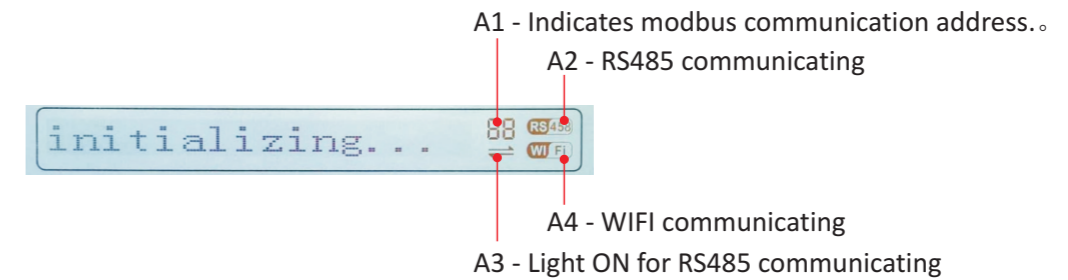
- States Light(GREEN)
 - Flashing: Waiting or checking state
 - ON: Normal operation
 - OFF: Fault or permanent state
- Warning Light (RED)
 - Flashing: Fans fault
 - ON: The inverter is faulty
 - OFF: Normal operation
- GFCI Warning Light (RED)
 - ON: GFCI fault
 - OFF: GFCI normal

6.2 Standard Interface

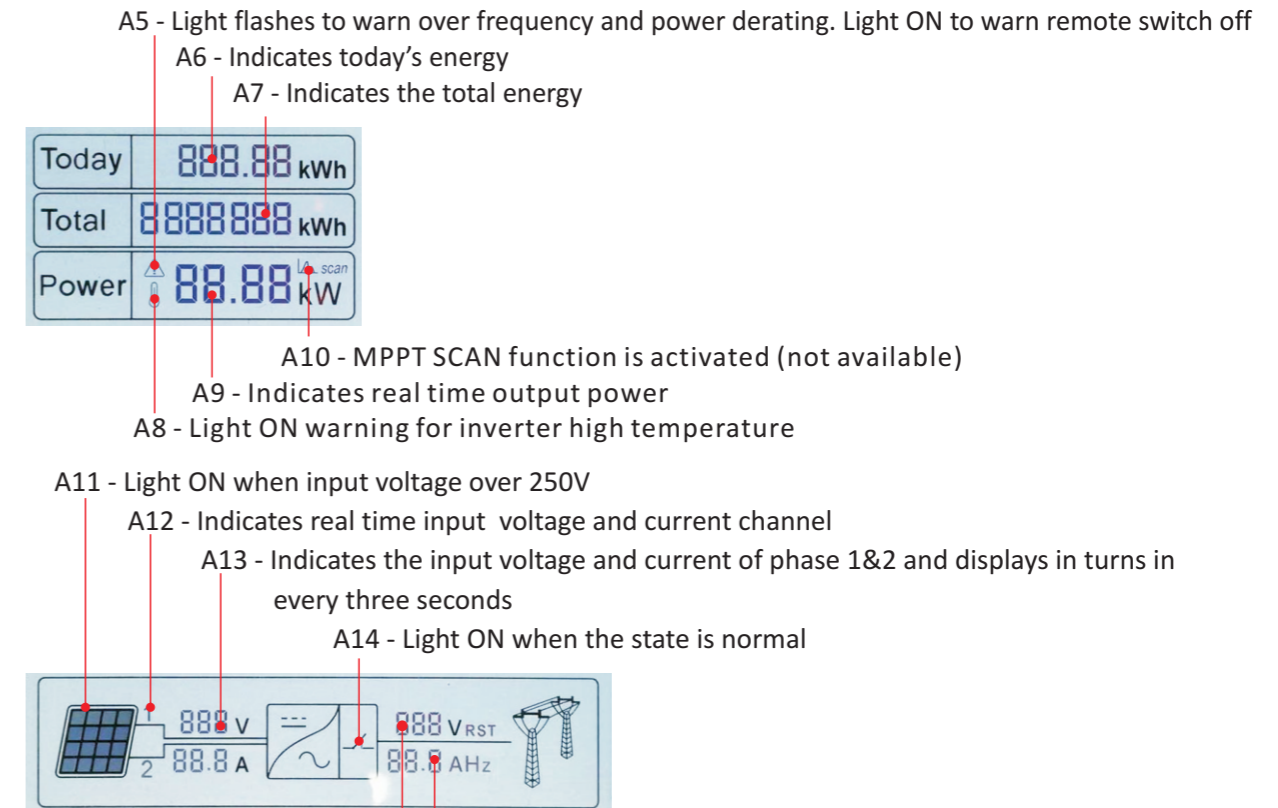
LCD standard interface is used to display inverter states, information and parameter setting etc.



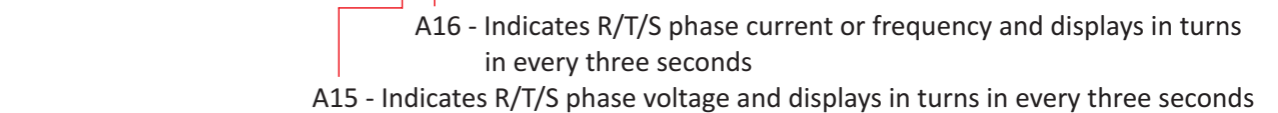
LCD displays the updates of inverter energy, power, input information, warning information etc



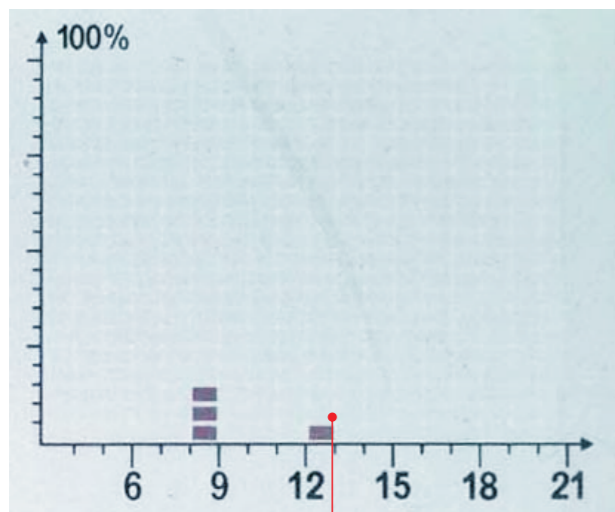
- A1 - Indicates modbus communication address.
- A2 - RS485 communicating
- A4 - WIFI communicating
- A3 - Light ON for RS485 communicating



- A5 - Light flashes to warn over frequency and power derating. Light ON to warn remote switch off
- A6 - Indicates today's energy
- A7 - Indicates the total energy
- A10 - MPPT SCAN function is activated (not available)
- A9 - Indicates real time output power
- A8 - Light ON warning for inverter high temperature
- A11 - Light ON when input voltage over 250V
- A12 - Indicates real time input voltage and current channel
- A13 - Indicates the input voltage and current of phase 1&2 and displays in turns in every three seconds
- A14 - Light ON when the state is normal



- A16 - Indicates R/T/S phase current or frequency and displays in turns in every three seconds
- A15 - Indicates R/T/S phase voltage and displays in turns in every three seconds

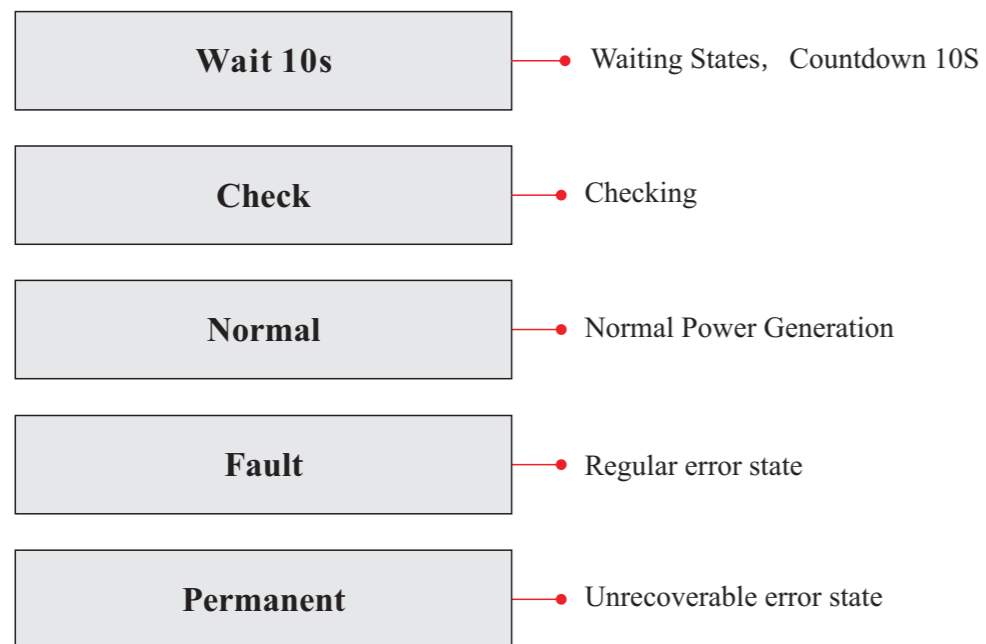


A17 - Indicates the energy from 3:00am-21:00pm in the day

When power-on, LCD interface displays INITIALIZING, refer below picture.



when control board successfully connected with communication board, the LCD display the current state of the inverter, display as shown in the figure below.



Inverter states includes: wait, check, normal, fault and permanent

Wait : Inverter is waiting to Check State at the end of reconnection time. In this state, the PV voltage is more than 250V, grid voltage value is between the max and min limits and so on; If not, Inverter will go to Fault State or Permanent State.

Check: Inverter is checking isolation resistor, relays, and other safety requirements. It also does self-test to ensure inverter software and hardware are functional. Inverter will go to Fault State or Permanent State if any error or fault occurs.

Normal : Inverter enter to Normal State, it is feeding power to the grid; inverter will go to Fault State or Permanent state if any error or fault occurs.

Fault : Fault State: Inverter has encountered recoverable error. It should recover if the errors disappear. If Fault State continues; please check the inverter according error code.

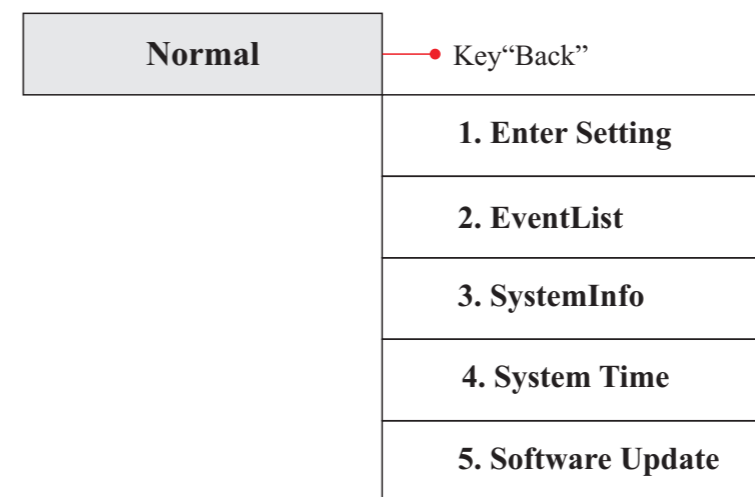
Permanent : Inverter has encountered unrecoverable error, we need maintainer debug this kind of error according to error information.

When the control board and communication board connection fails, the LCD display interface as shown in the figure below.



6.3 Main Interface

Press "Back" button under standard interface to enter into main interface, including:



(A) “Enter Setting” Interface as below:

1.Enter Setting	1. Set time	12. Set StartPara
	2. Clear Produce	13. Set SafetyVolt
	3. Clear Events	14. Set SafetyFreq
	4. Set Country Code	15. Set Insulation
	5. On-Off Control	16. Relay Test
	6. Relay Command	17. Set Reactive
	7. Enable Set Country	18. Set PowerDerat
	8. Set Total Energy	19. PE Line Control
	9. Set Mod-bus Address	20. Set Refluxp
	10. Set Inputmode	21. Setting P(f)
	11. Set Language	22. Setting Q(v)
		23. Control 81.S1

Set Time

Users press “Back” button to enter “1.Enter Setting” interface, Press “OK” button to enter main setting interface. Enter “1. Set Time” by pressing “Up” button or “Down” button, then press “OK” button and start to set up time.

Time set from year, month, day, minutes, and seconds in turns, “Up” button or “Down” button to choose different value to set each date. Set each value is need to press “OK” button to confirm setting. “success” is displayed if the setting time is correct, “fail” means failure settings.

◆ **Clear Produce**

Users press “Back” button to enter “1.Enter Setting” interface, Press “OK” button to enter main setting interface. Then Enter “2.Clear Produce” by pressing “Up” button or “Down” button, press “OK” button and start to clear produce. “success” is displayed after settings.

◆ **Clear Events**

Users press “Back” button to enter “1.Enter Setting” interface, Press “OK” button to enter main setting interface. Enter “3. Clear Events” by pressing “Up” button or “Down” button. Press “OK” button and start to clear events. “success” is displayed after settings.

◆ **Set Country Code**

Users press “Back” button to enter “1.Enter setting” interface, Press OK button to enter main setting interface. Enter “4.Set Country Code” by pressing “Up” button Or “Down” button, press “OK” button and enter “Input Password” Setting interface (default: 0001). If it's shown "set disable" on the screen, then you can NOT choose the operating country, you should enable country setting through "7. Enable Set Country" interface. If it's shown "set Country code?" on the screen, then press Confirm button to start country setting. "Success" will be shown on the screen after a successful country setting.

User can check current country code in SystemInfo>>5. Country.

Note: Country code changing will take effect after inverter reboot.

Table 6-1 country code setting

code	country	code	country	code	country
00	Germany VDE AR-N4105	12	Poland	24	Cyprus
01	CEI0-21 Internal	13	Germany BDEW	25	India
02	Australia	14	Germany VDE 0126	26	Philippines
03	Spain RD1699	15	Italy CEI0-16	27	NewZealand
04	Turkey	16	UK-G83	28	Brazil
05	Denmark	17	Greece island	29	Slovakia VSD
06	Greece Continent	18	EU EN50438	30	Slovakia SSE
07	Netherland	19	IEC EN61727	31	Slovakia ZSD
08	Belgium	20	Korea	32	CEI0-21 In Areti
09	UK-G59	21	Sweden	33-49	Reserved
10	China	22	Europe General		
11	France	23	CEI0-21 External		

◆ **On-Off Control**

Users press "Back" button to enter "1.Enter Setting" interface,Press "OK" button to enter main setting interface.Enter "5.On-Off Control" by pressing "UP" button or "Down" button.Press "OK" button and enter On-Off Control interface,press "OK" button and enter "Input Password" Setting interface.Press "OK" button to set passwords (default:0001),increase or decrease value though pressing "Up" button or "Dwon" button,press "OK" button to next value setting."Error! Try again" will be displayed for wrong passwords.Press "back" button and rekey in the correct passwords.It will enter into "Power on&Power off" interface if the passwords is correct,then you can select "Power on" or "Power off" by pressing "Up" button or "Down" button and press "OK" button to finish the setting successfully.If you select "Power off",need to set how many days you want the inverter to power off,increase or decrease value though pressing "Up" button or "Down" button.After you set "Power off" successfully,you need to contact manufacturer to supply passwords to re-power on this inverter.

◆ **Relay Command**

Users press "Back" button to enter "1.Enter Setting" interface, Press "OK" button to enter main setting interface.

Enter "6. Relay Command" by pressing "Up" button or "Down" button, press "OK" button and enter "Relay Command setting" interface. Choose corresponded setting items by pressing "Up" button or "Down" button, then press "OK" button. "success" or "fail" is displayed after setting.

6.Relay Command	
	1. Production
	2. Alarm
	3. Config Alarm
	4. Relay Disable

Relay Command Definition:

Production	<p>the relay switches whenever a connection to (or a disconnection from) the grid occurs.</p> <p>If the relay contractor is in normally open (close) mode, the contact will stay open (or closed) until the inverter is connected to the grid; once the inverter connects to the grid and starts to export power, the relay switches state and therefore closes (or opens).</p> <p>When the inverter disconnects from the grid, the relay contact returns to its position of rest, namely open (or closed).</p>
Alarm	<p>The relay switches whenever there is an alarm on the inverter (Error). No switching occurs when there is a Warning.</p> <p>If the relay contractor is in normally open(close)mode, the contact will stay open (or closed) until the inverter reports an error; once the inverter reports an error, the relay switches state and therefore closes (or opens).The contact remains switched from its rest condition until normal operation is restored.</p>
Config Alarm	<p>the relay switches whenever there is an alarm (Error) or a Warning, which have been previously selected by the user through the PC. the contact will stay open (or closed) until the inverter reports an error or a warning out of those selected from the menu; once the inverter displays an error or a warning out of those selected, the relay switches state and therefore closes (or opens) the contact. The relay remains switched from its rest condition until the alarm or warning has disappeared.</p>
Relay Disable	Control function is forbidden

◆ **Enable Set Country**

Users press "Back" button to enter "1.Enter Setting" interface, Press "OK" button to enter main setting interface.Enter "7.Enable Set Country" by pressing "Up" button or "Down" button, press "OK" button and enter "Input Password" Setting interface.

Press "Back" button to set passwords (default: 0001), increase or decrease value though pressing "Up" button or "Down" button, press "OK" button to next value setting. "Error! Try again" will be displayed for wrong passwords. Press "Back" button and rekey in the correct passwords. "success" will be displayed if setting successfully,

Attention: when inverter working for power generation over 24h, country setting is forbidden, it can only be set after LCD setting (7. Enable Set Country). Key in passwords for country setting through LCD (default: 0001), country setting can be set in 24h after keying in the correct passwords, over 24h, set "7. Enable Set Country" first , then set "4. Set Country Code" to change country code.

◆ **Set Address**

Users press "Back" button to enter "1.Enter setting" interface, Press "OK" button to enter main setting interface. Enter "9. Set Address" by pressing "Up" button or "Down" button. Press "OK" button and enter setting interface "Success" or "fail" is displayed after setting.

◆ **Set inputmode**

Input mode selection: sofar 20~33KTL-G2 has 2 MPPT, The two MPPT can run independently, and also can be operated in parallel, According to the system design, the user can choose the mode of MPPT operation.The input mode can be setting by the LCD .

Users press “Back” button to enter “1.Enter setting” interface, Press “OK” button to enter main setting interface. Enter “10. Set inputmode” by pressing “Up” button or “Down” button. Press “OK” button and enter setting interface. Choose corresponded setting items by pressing “Up” button or “Down” button, then press “OK” button. “Success” or “fail” is displayed after setting.

◆ **Set Language**

Users press “Back” button to enter “1.Enter setting” interface, Press “OK” button to enter main setting interface. Enter “11. Set Language” by pressing “Up” button or “Down” button. Press “OK” button and enter setting interface. Choose corresponded setting items by pressing “Up” button or “Down” button, then press “OK” button. “Success” or “fail” is displayed after setting.

◆ **Set StartPara**

User can change the start parameter by the LCD. First the User need to copy the. TXT file which is used to change the start parameter to the SD card .

Users press Back button to enter “1.Enter setting” interface, Press OK button to enter main setting interface. Enter “12. Set StartPara” by pressing “Up” button Or “Down” button, press “OK” button and enter “Input Password” Setting interface. Press “Back” button to set passwords (default: 0001), increase or decrease value though pressing “Up” button or “Down” button, press “OK” button to next value setting. “Error!” Try again” will be displayed for wrong passwords. Press “Back” button and rekey in the correct passwords. “Success” will be displayed if setting successfully.

◆ **Set SafetyVolt**

User can change the Voltage protection point by the LCD. First the User need to copy the. TXT file which is used to change the Voltage protection point to the SD card .

Users press Back button to enter “1.Enter setting” interface, Press OK button to enter main setting interface. Enter “13. Set SafetyVolt” by pressing “Up” button Or “Down” button, press “OK” button and enter “Input Password” Setting interface. Press “Back” button to set passwords (default: 0001), increase or decrease value though pressing “Up” button or “Down” button, press “OK” button to next value setting. “Error!” Try again” will be displayed for wrong passwords. Press “Back” button and rekey in the correct passwords. “Success” will be displayed if setting successfully.

◆ **Set SafetyFreq**

User can change the Frequency protection point by the LCD. First the User need to copy the. TXT file which is used to change the Frequency protection point to the SD card .

Users press Back button to enter “1.Enter setting” interface, Press OK button to enter main setting interface. Enter “14. Set SafetyFreq” by pressing “Up” button Or “Down” button, press “OK” button and enter “Input Password” Setting interface. Press “Back” button to set passwords (default: 0001), increase or decrease value though pressing “Up” button or “Down” button, press “OK” button to next value setting. “Error!” Try again” will be displayed for wrong passwords. Press “Back” button and rekey in the correct passwords. “Success” will be displayed if setting successfully.

◆ **Set Insulation**

User can change the Insulation protection point by the LCD. First the User need to copy the. TXT file which is used to change the Insulation protection point to the SD card .

Users press Back button to enter “1.Enter setting” interface, Press OK button to enter main setting interface. Enter “15. Set Insulation” by pressing “Up” button Or “Down” button, press “OK” button and enter “Input Password” Setting interface. Press “Back” button to set passwords (default: 0001), increase or decrease value though pressing “Up” button or “Down” button, press “OK” button to next value setting. “Error!” Try again” will be displayed for wrong passwords. Press “Back” button and rekey in the correct passwords. “Success” will be displayed if setting successfully.

◆ **Relay Test**

Users press Back button to enter “1.Enter setting” interface, Press OK button to enter main setting interface. Enter “16. Relay Test” by pressing “Up” button Or “Down” button, then press “OK” button and start test relay. “Success” will be displayed if setting successfully.

◆ **Set Reactive**

Users press “Back” button to enter “1.Enter Setting” interface, Press “OK” button to enter main setting interface.Enter “17.Set Reactive” by pressing “Up” button or“Down”button, press “OK” button and enter “Input Password” Setting interface.

Press “Back” button to set passwords (default: 0001), increase or decrease value though pressing “Up” button or “Down” button, press “OK” button to next value setting. “Error! Try again” will be displayed for wrong passwords. Press “Back” button and rekey in the correct passwords. “success” will be displayed if setting successfully.

◆ **Set PowerDerat**

Users press “Back” button to enter “1.Enter Setting” interface, Press “OK” button to enter main setting interface.Enter “18.Set PowerDerat” by pressing “Up” button or“Down”button, press “OK” button and enter “Input Password” Setting interface.

Press “OK” button to set passwords (default: 0001), increase or decrease value though pressing “Up” button or “Down” button, press “OK” button to next value setting. “Error! Try again” will be displayed for wrong passwords. Press “Back” button and rekey in the correct passwords. “success” will be displayed if setting successfully.

◆ **PE Line Control**

Users press Back button to enter "1.Enter Setting" interface, Press OK button to enter main setting interface.Enter "19. PE Line Control" by pressing "Up" button or "Down" button,press "OK" button and enter "Input Password" Setting interface.

Press "Back" button to set passwords (default:0001),increase or decrease value though pressing "Up" button or "Down" button, press "OK" button to next value setting. "Error! Try again" will be displayed for wrong passwords. Press "Back" button and rekey in the correct passwords. Then select "EnCheck PE" or "DisCheck PE" by pressing "Up" and "Down" button. "success" will be displayed if setting successfully.

◆ **Set RefluxP**

Users press "Back" button to enter "1.Enter Setting" interface,Press "OK" button to enter main setting interface.Enter "18.Set RefluxP" by pressing "Up" button or "Down" button,press "OK" button and enter "Input Password" Setting interface.Press "OK" button to set passwords (default:0001),increase or decrease value though pressing "Up" button or "Dwon" button,press "OK" button to next value setting."Error! Try again" will be displayed for wrong passwords.Press "back" button and rekey in the correct passwords.Then select "Reflux Enable" or "Reflux Disable" by pressing "Up" and "Down" button."success" will be displayed if setting successfully.

◆ **Setting P(f)**

Users press “Back” button to enter “1.Enter setting” interface, Press OK button to enter main setting interface. Enter “19. Setting P(f)” by pressing “Up” button Or “Down” button, then press “OK” button and enter “Setting P(f)”interface. Then press Confirm button to start to Set P(f). "Success" will be shown on the screen after a successful P(f) setting.

◆ **Setting Q(v)**

Users press “Back” button to enter “1.Enter setting” interface, Press OK button to enter main setting interface. Enter “20. Setting Q(v) by pressing “Up” button Or “Down” button, then press “OK” button . Then press Confirm button to start to set Q(v)."Success" will be shown on the screen after a successful Q(v) setting.

◆ **Control 81.S1**

Users press “Back” button to enter “1.Enter setting” interface, Press OK button to enter main setting interface. Enter “21.Control 81.S1 by pressing “Up” button Or “Down” button, then press “OK” button. Then press Confirm button to start Control 81.S1.

(B) “Event List” Interface as below:

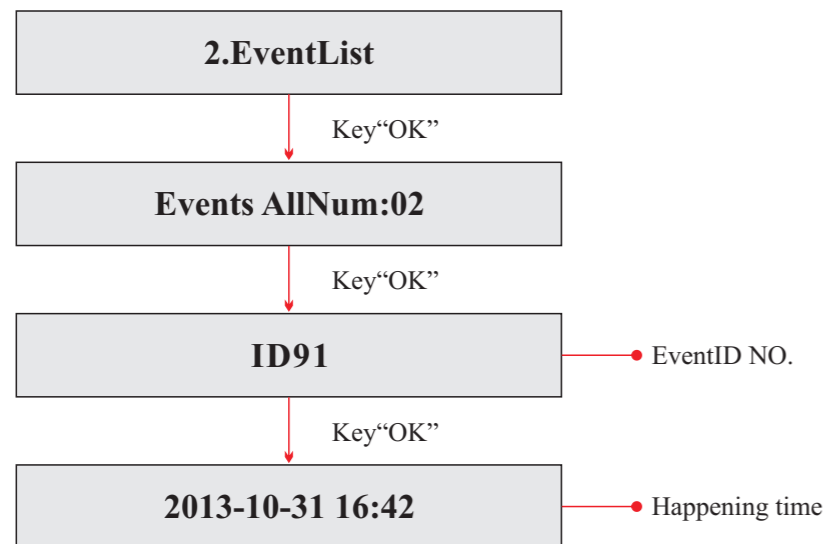
Event List is used to display the real-time event records, including the total number of events and each specific ID No. and happening time. User can enter Event List interface through main interface to check details of real-time event records, Event will be listed by the happening time, and recent events will be listed in the front. Please refer to below picture:

Users press “Back” button and “Down” button in standard interface, then enter into 2.Event List” interface.

Press “OK” button to get the total event numbers, show as below:

Events TotalNum:02

Press “OK” button again; user can check each event ID number and happening time, see below:



(C) “SystemInfo” Interface as below:

3.SystemInfo	
	1.Inverter Type
	2.Serial Number
	3.SoftVersion
	4.HardVersion
	5.Country
	6.Input Mode
	7.Relay Command
	8.Safety Paras
	9.Power Factor
	10.Reflux
	11.P(f)
	12.Q(v)

◆ **Inverter Type**

Users press “Back” button and “Up” button or “Down” button enter “3. SystemInfo” interface, Press “OK” button to enter enter into system information checking interface,then press “Up” button or “Down” button enter into “1. Inverter Type”,then press “OK” button , the Inverter Type will be displayed.

◆ **Serial Number**

Users press “Back” button and “Up” button or “Down” button to enter “3. SystemInfo” interface, Press “OK” button to enter enter into system information checking interface,then press “Up” button or “Down” button enter into “2. Serial Number”,then press “OK” button ,the serial number will be displayed.

◆ **SoftVersion**

Users press “Back” button and “Up” button or “Down” button to enter “3. SystemInfo” interface, then Press “OK” button to enter enter into system information checking interface,then press “Up” button or “Down” button enter into “3. SoftVersion”,then press “OK” button , the SoftVersion will be displayed.

◆ **HardVersion**

Users press “Back” button and “Up” button or “Down” button to enter “3. SystemInfo” interface, then Press “OK” button to enter enter into system information checking interface,then press “Up” button or “Down” button enter into “4. HardVersion”,then press “OK” button , the HardVersion will be displayed.

◆ Country

Users press “Back” button and “Up” button or “Down” button to enter “3. SystemInfo” interface, then Press “OK” button to enter enter into system information checking interface,then press “Up” button or “Down” button enter into “5. Country”,then press “OK” button , the Country will be displayed.

◆ Input Mode

Users press “Back” button and “Up” button or “Down” button to enter “3. SystemInfo” interface, then Press “OK” button to enter enter into system information checking interface,then press “Up” button or “Down” button enter into “6. Input Mode”,then press “OK” button , the Input Mode will be displayed.

◆ Relay Command

Users press “Back” button and “Up” button or “Down” button to enter “3. SystemInfo” interface, then Press “OK” button to enter enter into system information checking interface,then press “Up” button or “Down” button enter into “7. Relay Command”,then press “OK” button , the Relay Command will be displayed.

◆ Safety Paras

Users press "Back" button and "Up" button or "Down" button to enter "3. SystemInfo" interface, then Press "OK" button to enter enter into system information checking interface, then press "Up" button or "Down" button enter into "8. Safety Paras", then press "OK" button, the safety parameters will be displayed, Ov1, Ov2, Uv1, Uv2, Of1, Of2, Uf1, UF2 value and time (ms) will be displayed by pressing "Up" or "Down" button.

◆ Power Factor

Users press “Back” button and “Up” button or “Down” button to enter “3. SystemInfo” interface, then Press “OK” button to enter enter into system information checking interface,then press “Up” button or “Down” button enter into “8. Power Factor”, then press “OK” button , the Power Factor will be displayed.

◆ Reflux Power

Users press "Back" button and "Up" button or "Down" button to enter "3. SystemInfo" interface, then Press "OK" button to enter enter into system information checking interface, then press "Up" button or "Down" button enter into "10. Reflux", then press "OK" button, the "Reflux Enable" or "Reflux Disable" will be displayed.

◆ P(f)

Users press “Back” button and “Up” button or “Down” button to enter “3. SystemInfo” interface, then Press “OK” button to enter enter into system information checking interface,then press “Up” button or “Down” button enter into “9.P(f)”,then press “OK” button , the P(f) will be displayed.

◆ Q(v)

Users press “Back” button and “Up” button or “Down” button to enter “3. SystemInfo” interface, then Press “OK” button to enter enter into system information checking interface,then press “Up” button or “Down” button enter into “10.Q(v)”,then press “OK” button , the Q(v) will be displayed.

(D) System Time

Press the “Back” button and “Up” button or “Down” key in the standard user interface to enter into “4.System Time”,then press “OK” button to display the current system time.

(E) Software Update

Press the “Back” button and “Up” button or “Down” button in the standard user interface to enter into “5. Software Update”,then press “OK” button to enter into the “input password” interface,now press the “OK” button to input the password(initial passwords is 0715),Press the “Up” and “Down” button to change the value,then press “OK” button to confirm the current value of input and enter the next set of value .when set over, if the password is wrong, the LCD will display “Error! Try again”,at this time ,you should re-enter your password.If the password is correct, then begin the update process.

User can check the current software version in SystemInfo>>3. SoftVersion.

online update program steps are as follows:

Step 1 First, open sofar 20~33KTL-G2 communication port cover.

Step 2 After open the cover, Press SD card (the SD card as shown in Figure 4-8), Then the SD card will automatically pop up.

Step 3 The SD card reader must be ready by the users, so that SD card so easy to establish the connection with the computer.

Step 4 SOFAR SOLAR will send the Software code to the user who needs to update. After user receive the file, please decompressing file and cover the original file in SD card.

Step 5 Insert the SD card into the SD card slot, there will be a faint clicking sound typically, indicating that has stuck.

Step 6 then enter into the main menu “5. Software Update” in the LCD display program. The method to enter the menu can refer to operation interface of LCD.

Step 7 Input the password, if password is correct, and then begin the update process, the original password is 0715.

Step 8 System update main DSP、 slave DSP、 FUSE and ARM in turns. If main DSP update success ,the LCD will display “Update DSP1 OK”, otherwise display “Update DSP1 Fail”; If slave DSP update success ,the LCD will display “Update DSP2 OK”, otherwise display “Update DSP2 Fail”; If FUSE update success ,the LCD will display “Update FUSE OK”, otherwise display “Update FUSE Fail”

Step 9 If Fail , please turn off the DC breaker, wait for the LCD screen extinguish, then turn on the DC breaker again,then Continue to update from step 6.

Step 10 After the update is completed, turn off the DC breaker, wait for the LCD screen extinguish, then install the lower cover, and turn on the DC breaker and AC breaker again, the inverter will enters the running state.

User can check the current software version in SystemInfo>>3. SoftVersion.

7 Trouble shooting and maintenance

Outlines of this chapter

This topic describes how to perform daily maintenance and troubleshooting to ensure long-term proper operation of the sofar 20~33KTL-G2 inverter.

7.1 Trouble shooting

This section contains information and procedures for solving possible problems with the sofar 20~33KTL-G2 inverter.

☉ **In case of problem with inverter, check the following tips.**

- Check the warning fault messages or Fault codes on the inverter information panel. Record it before doing anything further.
- If inverter does not display any Fault, please check the following lists.
 - Is the inverter located in a clean, dry, adequately ventilated place?
 - Is the DC switch turned ON?
 - Are the cables adequately sized and short enough?
 - Are the input and output connections and wiring in good condition?
 - Are the configuration settings correct for the particular installation?
 - Are the display panel and the communications cable properly connected and undamaged?

Follow the steps below to view recorded problems:

Press “ESC” to enter the main menu in the normal interface. In the interface screen select “Event List”, then press “OK” to enter events.

☉ **EventList information**

Table 7-1 Eventlist

EventList NO.	EventList Name	EventList description	solution
ID01	GridOVP	The power grid voltage is too high	<ul style="list-style-type: none"> • If the alarm occurs occasionally, the possible cause is that the electric grid is abnormal occasionally. SOFAR inverter automatically returns to normal operating status when the electric grid's back to normal. • If the alarm occurs frequently, check whether the grid voltage/frequency is within the acceptable range. If no, contact SOFAR technical support. If yes, check the AC circuit breaker and AC wiring of the SOFAR inverter. • If the grid voltage/frequency is within the acceptable range and AC wiring is correct, while the alarm occurs repeatedly, contact SOFAR technical support to change the grid over-voltage, under-voltage, over-frequency, under-frequency protection points after obtaining approval from the local electrical grid operator.
ID02	GridUVP	The power grid voltage is too low	
ID03	GridOFP	The power grid frequency is too high	
ID04	GridUFP	The power grid frequency is too low	

ID05	PVUVP	The input voltage is too low	Check whether too few PV modules are series connected in a PV string, thus the voltage(Vmp) of the PV string is lower than the minimum operating voltage of SOFAR inverter. If yes, adjust the number of series connected PV modules to increase the voltage of the PV string to fit the input voltage range of SOFAR inverter. SOFAR inverter automatically returns to normal operating status after correct adjustments.
ID06	Vlvrtlow	Low voltage across	Check the AC wiring connection to the electric grid, if it's correct, please contact SOFAR technical support.
ID07-ID08	Reserved	Reserved	Reserved
ID09	PvOVP	The input voltage is too high	Check whether too many PV modules are series connected in a PV string, thus the voltage(Voc) of the PV string is higher than the maximum input voltage of SOFAR inverter. If yes, adjust the number of series connected PV modules to decrease the voltage of the PV string to fit the input voltage range of SOFAR inverter. SOFAR inverter automatically returns to normal operating status after correct adjustments.
ID10	IpvUnbalance	Input current is not balanced	Check the input mode(parallel mode/ independent mode) setting of SOFAR inverter according to Section 4.5 of this user manual.
ID11	PvConfigSetWrong	Incorrect input mode	
ID12	GFCIFault	GFCI Fault	<ul style="list-style-type: none"> • If the fault occurs occasionally, the possible cause is that the external circuits are abnormal occasionally. SOFAR inverter automatically returns to normal operating status after the fault is rectified. • If the fault occurs frequently and lasts a long time, check whether the insulation resistance between the PV array and earth(ground) is too low, then check the insulation conditions of PV cables.
ID13	GridFault	Phase sequence errors	<ul style="list-style-type: none"> • If the alarm occurs occasionally, the possible cause is that the electric grid is abnormal occasionally. SOFAR inverter automatically returns to normal operating status when the electric grids back to normal. • If the alarm occurs frequently, check whether the grid voltage/frequency is within the acceptable range. If no, contact SOFAR technical support. If yes, check the AC circuit breaker and AC wiring of the SOFAR inverter.
ID14	HwBoostOCP	The input current is too high, and has happened hardware protection	Check whether the input current is higher than the maximum input current of SOFAR inverters, then check the input wiring, if both are correct, please contact SOFAR technical support.
ID15	HwAcOCP	The grid current is too high, and has happened hardware protection	ID15-ID24 are internal faults of SOFAR inverter, turn OFF the “DC switch”, wait for 5 minutes, then turn ON the “DC switch”. Check whether the fault is rectified. If no, please contact SOFAR technical support.
ID16	AcRmsOCP	The grid current is too high	
ID17	HwADFaultGrid	The grid current sampling error	
ID18	HwADFaultDCI	The DCI sampling error	
ID19	HwADFaultVGrid	The grid voltage sampling error	
ID20	GFCIDeviceFault	The GFCI sampling error	
ID21	MChip_Fault	The master chip fault	
ID22	HwAuxPowerFault	The auxiliary voltage error	
ID23	BusVoltZeroFault	The bus voltage sampling error	
ID24	IacRmsUnbalance	The Output current is not balanced	

ID25	BusUVP	The bus voltage Is too low	If the PV array configuration is correct (no ID5 fault), the possible cause is that the solar irradiance is too low. SOFAR inverter automatically returns to normal operating status after the solar irradiance returns to normal level.
ID26	BusOVP	The bus voltage Is too high	ID26-ID27 are internal faults of SOFAR inverter, turn OFF the “DC switch”, wait for 5 minutes, then turn ON the “DC switch”. Check whether the fault is rectified. If no, please contact SOFAR technical support.
ID27	VbusUnbalance	The bus voltage is not balanced	
ID28	DciOCP	The Dci is too high	
ID29	SwOCPIstant	The grid current is too high	Internal faults of SOFAR inverter, turn OFF the “DC switch”, wait for 5 minutes, then turn ON the “DC switch”. Check whether the fault is rectified. If no, please contact SOFAR technical support.
ID30	SwBOCPIstant	Ihe input current is too high	Check whether the input current is higher than the maximum input current of SOFAR inverters, then check the input wiring, if both are correct, please contact SOFAR technical support.
ID31- ID48	Reserved	Reserved	Reserved
ID49	ConsistentFault_VGrid	The grid voltage sampling value between the master DSP and slave DSP is not consistent	ID49-ID55 are internal faults of SOFAR inverter, turn OFF the “DC switch”, wait for 5 minutes, then turn ON the “DC switch”. Check whether the fault is rectified. If no, please contact SOFAR technical support.
ID50	ConsistentFault_FGrid	The grid frequency sampling value between the master DSP and slave DSP is not consistent	
ID51	ConsistentFault_DCI	The DCI sampling value between the master DSP and slave DSP is not consistent	
ID52	ConsistentFault_GFCI	The GFCI sampling value between the master DSP and slave DSP is not consistent	
ID53	SpiCommLose	The spi communication between the master DSP and slave DSP is fault	
ID54	SciCommLose	The Sci communication between the control board communication board is fault	
ID55	RelayTestFail	The relays fault	
ID56	PvIsoFault	The insulation resistance is too low	
ID57	OverTempFault_Inv	The inverter temp is too high	<ul style="list-style-type: none"> • Ensure the installation position and installation method meet the requirements of Section 3.4 of this user manual.
ID58	OverTempFault_Boost	The Boost temp is too high	<ul style="list-style-type: none"> • Check whether the ambient temperature of the installation position exceeds the upper limit. If yes, improve ventilation to decrease the temperature.
ID59	OverTempFault_Env	The environment temp is too high	<ul style="list-style-type: none"> • Check whether the ID90~ID92 fault (fan fault) exist, if yes, please replace the corresponding fan.
ID60	PE Connect Fault	Grounding cable connected error	Please check whether grounding cable connected well or not

ID65	UnrecoverHwAcOCP	The grid current is too high,and has cause unrecoverable hardware fault	ID65-ID70 are internal faults of SOFAR inverter, turn OFF the “DC switch”, wait for 5 minutes, then turn ON the “DC switch”. Check whether the fault is rectified. If no, please contact SOFAR technical support.
ID66	UnrecoverBusOVP	The bus voltage is too high,and has cause unrecoverable fault	
ID67	UnrecoverIacRmsUnbalance	The grid current is unbalance,and has cause unrecoverable fault	
ID68	UnrecoverIpvUnbalance	The input current is unbalance,and has cause unrecoverable fault	
ID69	UnrecoverVbusUnbalance	The bus voltage Is unbalance, and has cause unrecoverable	
ID70	UnrecoverOCPInstant	The grid current is too high,and has cause unrecoverable fault	
ID71	UnrecoverPvConfigSetWrong	Incorrect input mode	
ID71- ID73	Reserved	Reserved	Reserved
ID74	UnrecoverIPVInstant	The input current is too high,and has happen unrecoverable fault	ID74-ID77 are internal faults of SOFAR inverter, turn OFF the “DC switch”, wait for 5 minutes, then turn ON the “DC switch”. Check whether the fault is rectified. If no, please contact SOFAR technical support.
ID75	UnrecoverWRITEEEPROM	The EEPROM is unrecoverable	
ID76	UnrecoverREADEEPROM	The EEPROM is unrecoverable	
ID77	UnrecoverRelayFail	Relay has happen permanent fault	
ID78- ID80	Reserved	Reserved	Reserved
ID81	OverTempDerating	The inverter has derated because of the temperature is too high	<ul style="list-style-type: none"> • Ensure the installation position and installation method meet the requirements of Section 3.4 of this user manual. • Check whether the ambient temperature of the installation position exceeds the upper limit. If yes, improve ventilation to decrease the temperature. • Check whether the ID90~ID92 fault (fan fault) exist, if yes, please replace the corresponding fan.
ID82	OverFreqDerating	The inverter has derated because of the grid frequency too hig	SOFAR inverter automatically reduce the output power when the frequency of electrical grid is too high.
ID83	RemoteDerating	The inverter has derated by the Remote control	SOFAR inverter records ID83 in case of remote power derating operation. Check the wiring of remote input and output control signal port on the communication board according to Section 4.4 of this user manual.
ID84	RemoteOff	The inverter has shut down because by the Remote control	SOFAR inverter records ID84 in case of remote shutdown operation. Check the wiring of remote input and output control signal port on the communication board according to Section 4.4 of this user manual.
ID85	UnderFrequencyDerating	The inverter has derated because of grid frequency too low	SOFAR inverter automatically reduce the output power when the frequency of electrical grid is too low
ID86	Fan4 alarm	The fan4 is fault	Check whether the internal fan is not working, if so, replace the fan, if the alarm still exists after the replacement, please contact SOFAR technical support.

ID90	Fan3 alarm	The fan3 is fault	Check whether the internal fan is not working, if so, replace the fan, if the alarm still exists after the replacement, please contact SOFAR technical support.
ID91	Fan1 alarm	The fan1 is fault	Check whether the external fan with blue heat-shrink tubing is not working, if so, replace the fan, if the alarm still exists after the replacement, please contact SOFAR technical support.
ID92	Fan2 alarm	The fan2 is fault	Check whether the external fan with red heat-shrink tubing is not working, if so, replace the fan, if the alarm still exists after the replacement, please contact SOFAR technical support.
ID93	Lightning protection alarm	There has Lightning happen	Check the lightning protection module, if it's undamaged, please contact SOFAR technical support.
ID94	Software version is not consistent	The Software between the control board and the communication board is not consistent	Contact SOFAR technical support to upgrade software.
ID95	Communication board EEPROM fault	The Communication board EEPROM is fault	ID95~ID96 are internal faults of SOFAR inverter, turn OFF the "DC switch", wait for 5 minutes, then turn ON the "DC switch". Check whether the fault is rectified. If no, please contact SOFAR technical support.
ID96	RTC clock chip anomaly	RTC clock chip is fault	
ID97	Invalid Country	The Country is InValid	Check the country setting according to Section 4.4 of this user manual.
ID98	SD fault	The SD card is fault	Please replace the SD card.
ID99- ID100	Reserved		Reserved

7.2 Maintenance

Inverters generally do not need any daily or routine maintenance. Cooling fan should not be blocked by dust or any other items.

◉ Inverter cleaning

Please use hand blower, soft dry cloth or brush to clean inverters. Water, corrosive chemical substances or intense cleaning agent should not be used for cleaning the cooling fan or inverter. Switch off AC and DC power supply to inverter before undertaking any cleaning activity.

◉ Cooling fan cleaning

For the long-term proper operation of SOFAR inverters, ensure there is enough space around the heat sink for ventilation, check the heat sink for blockage (dust, snow, etc.) and clean them if they exist. Please clean the heat sink with an air blower, a dry & soft cloth or a soft bristle brush. Do NOT clean the heat sink with water, corrosive chemicals, detergent, etc.

8 Decommissioning

Outlines of this chapter

This topic describes how to remove, pack, and dispose the Sofar 20~33KTL-G2 inverter.

8.1 Decommissioning steps

- Switch off the AC grid
- Switch Off the DC switch
- Wait for 5 minutes
- Release the DC connectors
- Release the AC terminals using screw drivers.

Remove inverter from the mounting carefully to avoid injury. Please note that the Sofar20~33KTL-G2 inverter's weight over 45 kgs.

8.2 Package

If possible, please pack the inverter in the original packaging. If original packing it is not available, use an equivalent carton suitable for loads more than 50 kg, has handle and can be closed fully.

8.3 Storage

Store the inverter in a dry place where ambient temperature is between -25 and +70 °C.

8.4 Disposal

At the end of its life, dispose inverters and packing materials at locations that can handle and or recycle electric equipment safely.

9 Technical data

Outlines of this chapter

This topic lists the technical specifications for all Sofar 20~33KTL-G2 inverters.

9.1 Input parameter (DC)

Parameter	SOFAR 20000TL-G2	SOFAR 25000TL-G2	SOFAR 30000TL-G2	SOFAR 33000TL-G2
Max. input voltage	1100V			
Start-up input voltage	250V (+/-1v)			
Number of independent MPPT	2			
Number of DC inputs	2 for each MPPT	3 for each MPPT		
Input range with Full power operation with 2 MPPT parallel	480V-850V	460V-850V	520V-850V	580V-850V
Max DC power for single MPPT	13000(540V-850V)	16000(570V-850V)	18000(600V-800V)	20000(660V-800V)
Operating input volt range	230V-960V			
Max. input MPPT current	24A/24A	28A/28A	30A/30A	30A/30A
Input short circuit current for each MPPT	30A/30A	35A/35A	37.5A/37.5A	37.5A/37.5A
Overvoltage category of input	III			
Max. inverter backfeed current to the array (a.c. or d.c. A)	< 6mA			

9.2 Output parameter (AC)

Parameter	SOFAR 20000TL-G2	SOFAR 25000TL-G2	SOFAR 30000TL-G2	SOFAR 33000TL-G2
Rated power	20000W	25000W	30000W	33000W
Max. AC power	22000VA	27500VA	33000VA	36300VA
Rated AC voltage	3/N/PE,230/400Vac			
Grid voltage range	310-480Vac(adjustable)			
Grid frequency range	50~60Hz(adjustable, must meet local grid requirements)			
Active power adjustable range	0~100%			
Max. output current	3x32A	3x40A	3x48A	3x53A
THDI	<3%			
Power factor	1 (adjustable +/-0.8)			
Overvoltage category of output	III			

9.3 Efficiency, Safety and Protection

Parameter	SOFAR 20000TL-G2	SOFAR 25000TL-G2	SOFAR 30000TL-G2	SOFAR 33000TL-G2
Max efficiency	98.2%	98.4%	98.4%	98.6%
Weighted eff. (EU/CEC)	98.0%	98.2%	98.2%	98.2%
Self-consumption at night	<1W			
Feed in start power	45W			
MPPT efficiency	>99.9%			
DC reverse polarity protection	Yes			
DC switch	Yes			
Safety protection	Anti islanding, RCMU, Ground fault monitoring			
Certification	CE,CGC,AS4777,AS3100,VDE4105,C10-C11, G59(more available on request)			
Communication	RS485, Wifi(option), GPRS(option)			
Power management unit	According to certification and request			
Maximum output fault current (a.c. A, peak and duration or RMS)	85A		105A	
Maximum output overcurrent protection	93A		119A (a.c. A)	

9.4 General Data

Parameter	SOFAR 20000TL-G2	SOFAR 25000TL-G2	SOFAR 30000TL-G2	SOFAR 33000TL-G2
Ambient temperature range	-25°C...+60°C			
Allowable relative humidity range	0...100% no condensing			
Topology	Transformerless			
Degree of protection	IP65			
Max. operating altitude	<2000m			
Noise	<30dB	<45dB		
Weight	37kg			
Cooling	Nature	Fan		
Dimension	666*512*254mm			
Warranty	5 years			

10 Quality Assurance

Shenzhen SOFARSOLAR Co., Ltd offers 5 years product warranty for Sofar 20~33KTL inverters from date of installation. However the warranty period can't exceed 66 months from the date of delivery of the inverter. During the warranty period, Shenzhen SOFARSOLAR Co., Ltd guarantees normal operation of the inverter.

If during the warranty period, the inverter develops fault, please contact your installation contractor or supplier. In case of faults falling within manufacturers' responsibility, Shenzhen SOFARSOLAR Co., Ltd will provide service and maintenance free of any charge.

Disclaimer:

- Use of Sofar 20~33KTL inverters for any other purpose than intended;
- Faulty system design or installation;
- Improper operation;
- Use wrong protection settings on the inverter;
- Carry out unauthorized modification on the inverter.
- Damage because of external factors or the majeure force (such as lightning, over-voltage, bad weather, fire, earthquake, tsunami etc);