



POWER BATTERY 3.8 | 5.7 | 7.6 | 9.6 | 11.5

MODULAR HIGH VOLTAGE BATTERY FOR PV STORAGE SYSTEMS



environmentally friendly
and safe LiFePO₄ battery



modular space
saving design



easy to transport
and install



everything needed
from one source

HIGH EFFICIENCY

- LiFePO₄ technology
- 25 A charge & discharge capability
- High voltage, high efficiency, low stress operation
- Modern and space-saving design

EASY INSTALLATION

- Modular concept and simple wiring for easy transport and installation
- All components are lighter than 25 kg
- Master battery management system
- Plug & play

MONITORING VIA APP

- Powerful RCT Power App
- Full data visualization
- Monitoring from every location
- Configuration options
- One-click update

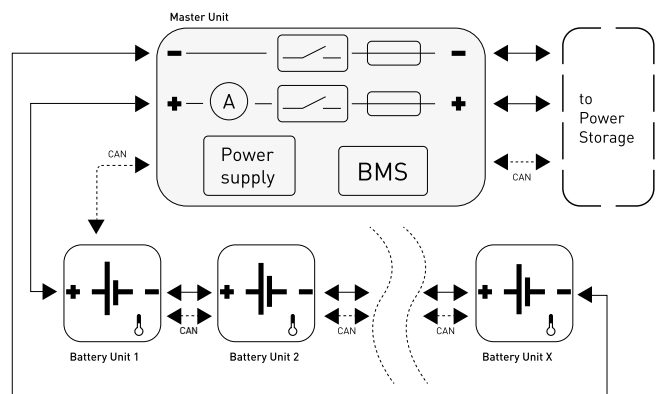
FLEXIBLE AND UPGRADEABLE

- 2 - 6 battery stacks
- Usable capacity scalable in increments of 1.7 kWh
- Upgradeable
- Suitable for back-up systems

SUSTAINABLE

- Lithium-iron-phosphate cell chemistry
- 10 years time value guarantee

BLOCK DIAGRAM



POWER BATTERY

3.8

5.7

7.6

9.6

11.5

ELECTRICAL PARAMETERS

Nominal capacity	3,84 kWh	5,76 kWh	7,68 kWh	9,60 kWh	11,52 kWh
Usable capacity (90% DoD)	3,46 kWh	5,18 kWh	6,91 kWh	8,64 kWh	10,37 kWh
Cycle Life (at 80% remaining capacity)	5000				
Voltage range	120 V...173 V	180 V ... 260 V	240 V ... 346 V	300 V ... 432 V	360 V ... 520 V
Nominal voltage	154 V	230 V	307 V	384 V	461 V
Maximum charge / discharge current	25 A / 25 A	25 A / 25 A	25 A / 25 A	25 A / 25 A	25 A / 25 A
Standby consumption	< 5 W				

INTERFACES

Power Storage interface	CAN
-------------------------	-----

GENERAL

Battery technology	LiFePO ₄				
Dimensions (height x width x depth)	600x340x340 mm	830x340x340 mm	1060x340x340 mm	1290x340x340 mm	1520x340x340 mm
Weight (single module 24kg)	54 kg	78 kg	102 kg	126 kg	150 kg
Number of battery units	2	3	4	5	6
IP degree of protection	IP42				
Type of installation	floor stand / indoor				
Operating temperature range	+5°C ... +40°C				
Connector type	Weidmüller PV-Stick (MC4-compatible)				

SAFETY / STANDARDS

Safety class	I
Certificates	CE, UN 38-3, EN/IEC 62619, EN/IEC 62133
EMC	EN61000-6-2, EN61000-6-3, EN61000-3-2, EN61000-3-3
Safety	EN/IEC 61010-1:2010