

Quick Installation Guide

— Triple Power Lithium-ion Battery

III

Installation Prerequisites

Make sure that the installation location meets the following conditions:

- The building is designed to withstand earthquakes
- The location is far away from the sea, to avoid salt water and humidity
- The floor is flat and level
- There are no flammable or explosive materials nearby
- **THE AMBIENCE IS SHADY AND COOL, KEEP AWAY FROM HEAT AND AVOID DIRECT SUNLIGHT.**
- The temperature and humidity stays at a constant level.
- There is minimal dust and dirt in the area.
- There is no corrosive gases present, including ammonia and acid vapor.
- The ambient temperature is within the range from 0°C to 55°C, and the optimal ambient temperature is between 15°C and 35°C.

NOTE!

The Triple Power battery module is rated at IP55 and thus can be installed outdoors as well as indoors. However, if installed outdoors, do not allow the battery pack to be exposed to direct sunlight and moisture.

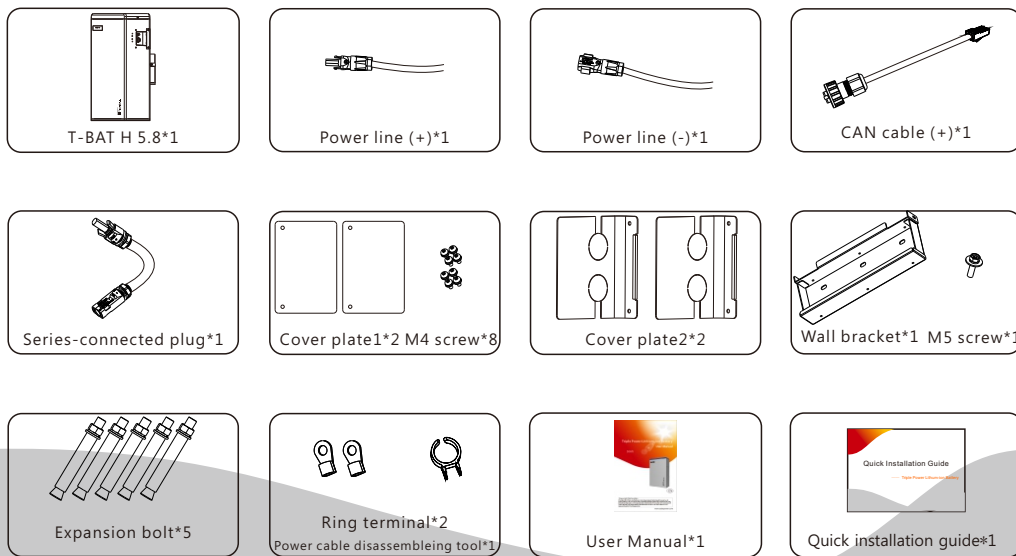
NOTE!

If the ambient temperature is outside the operating range, the battery pack stops operating to protect itself. The optimal temperature range for the battery pack to operate is 15°C to 35°C. Frequent exposure to harsh temperatures may deteriorate the performance and lifetime of the battery module.

I

Packing List (T-BAT H 5.8)

Note: The quick installation guide describes installation steps briefly. If you have any questions during the installation, please refer to the USER MANUAL which is enclosed to T-BAT H 5.8 for more information.



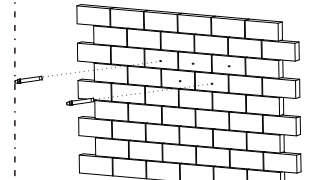
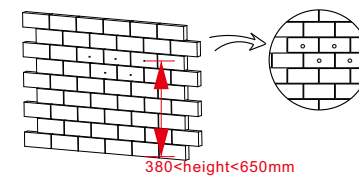
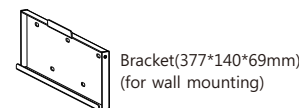
IV

Battery Installation

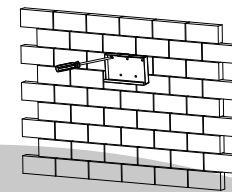
Note: 1. For T-BAT H 5.8 + 1~3 battery packs, please finish the battery installation before connecting cables!

2. Please make sure that the Inverter is off when connecting cables!

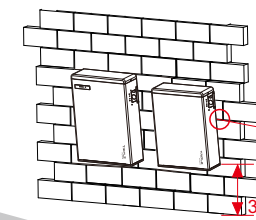
- Mark the position of the holes.
- Drill holes with driller.
- Depth: at least 50mm.
- Install the expansion bolts.



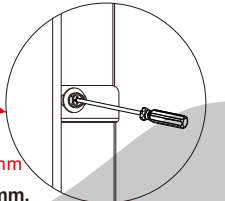
- Screw the expansion bolts.



- Match the battery with the bracket.



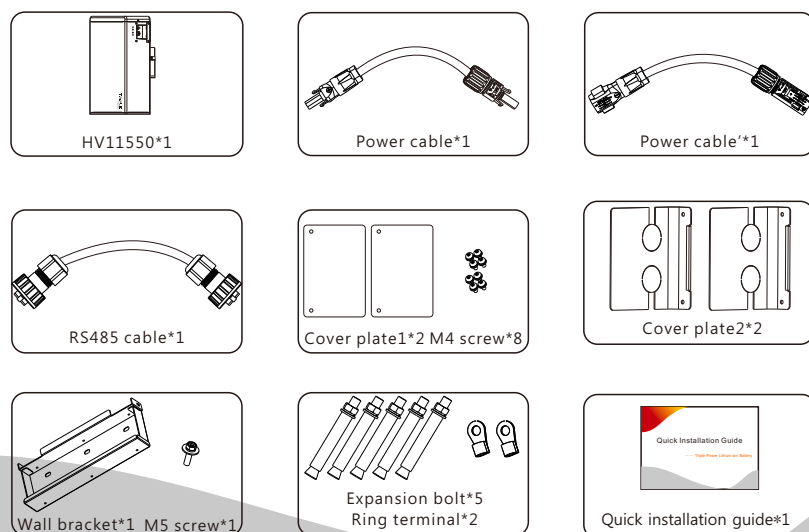
- Lock the joint between hanging board and wall bracket with M5 screw.



NOTE: 1. The distance between the bottom of battery pack and floor shall not exceed 300mm.
2. It is recommended that the space between battery packs is more than 300mm.

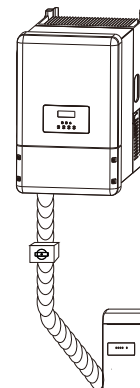
II

Packing List (HV11550)



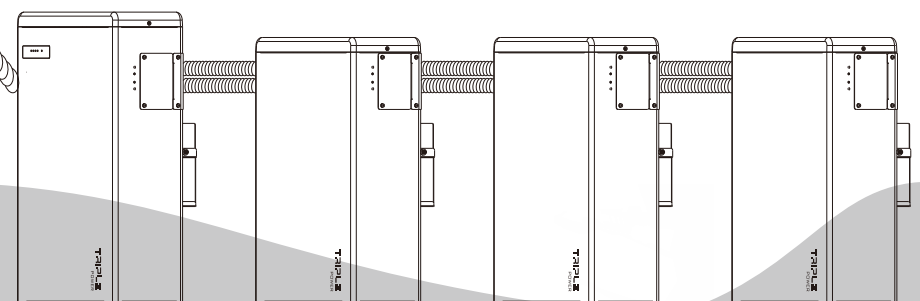
V

Overview of Installation



DANGER!

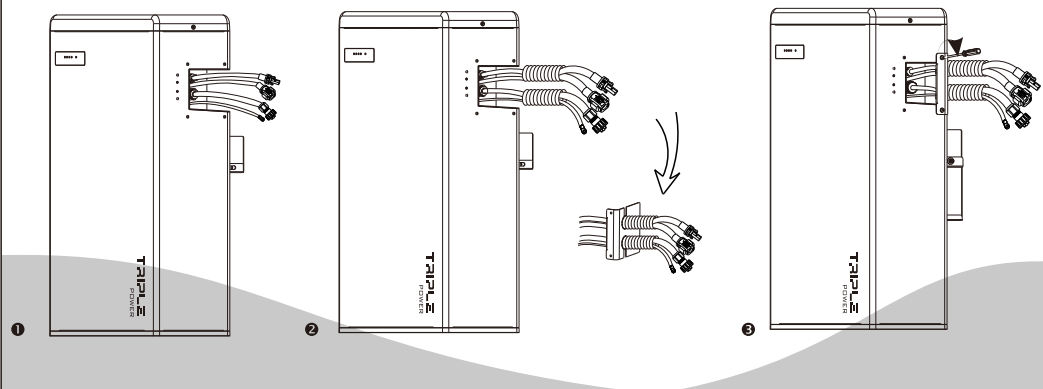
One T-BAT system is allowed to install at most four battery packs. Connecting more than four battery packs will blow the fuse, and the battery pack will be damaged. Please make sure the number of battery packs meets the requirement.



VI

Overall Installation

1. Connect the cables.
2. Get the cables through the corrugated pipe.
3. DO REMEMBER TO INSERT THE SERIES-CONNECTED PLUG AT "-" AND "YPLUG" ON THE RIGHT SIDE OF LAST BATTERY PACK TO MAKE A COMPLETE CIRCUIT.
4. Set the cables into the groove of metal plates and screw them back to the battery pack on both sides.



IX

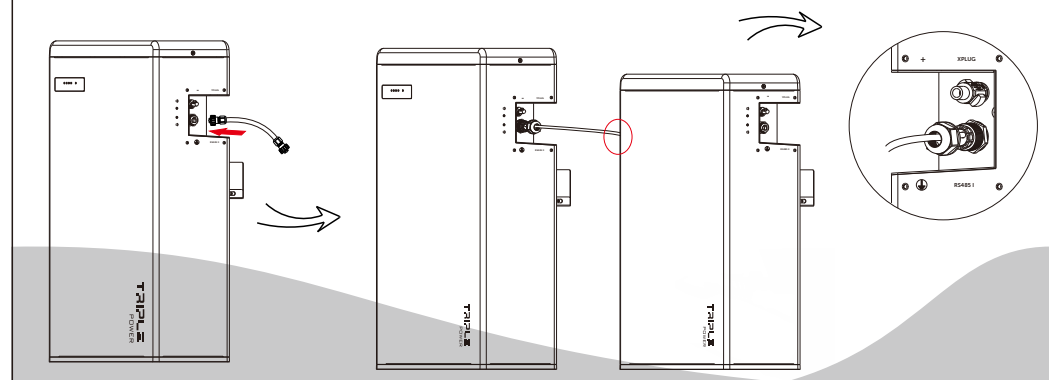
Communication Cable Connection

For T-BAT H 5.8:

1. Insert one end of the CAN communication cable which has no cable nut directly to the BMS port of the Inverter.
2. Insert the other end of the CAN communication cable to the CAN connector. Assemble the cable gland and screw the cable nut.

For T-BAT H 5.8 + 1~3 battery packs:

1. Connect RS485 II of upper battery on the right side to RS485 I of the follow-up battery pack which is on the left. Assemble the cable gland and screw the cable nut.



VII

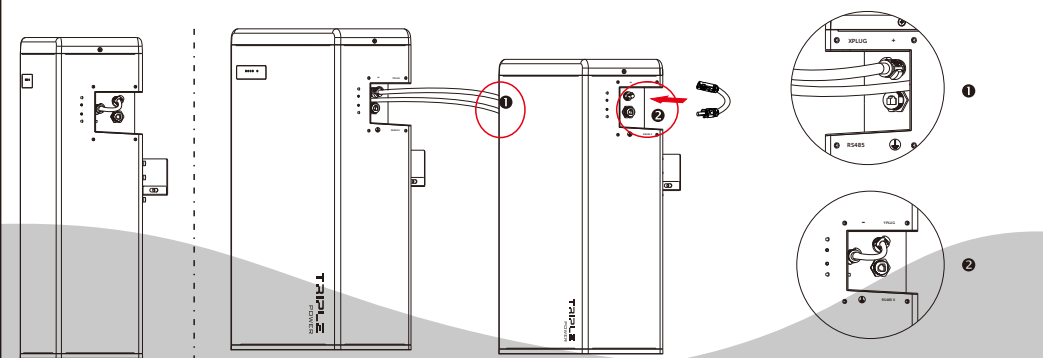
Power Cable Connection

For T-BAT H 5.8:

1. Insert the series-connected plug at "-" and "YPLUG" on the right side of T-BAT H 5.8 to make a complete circuit.

For T-BAT H 5.8 + 1~3 battery packs:

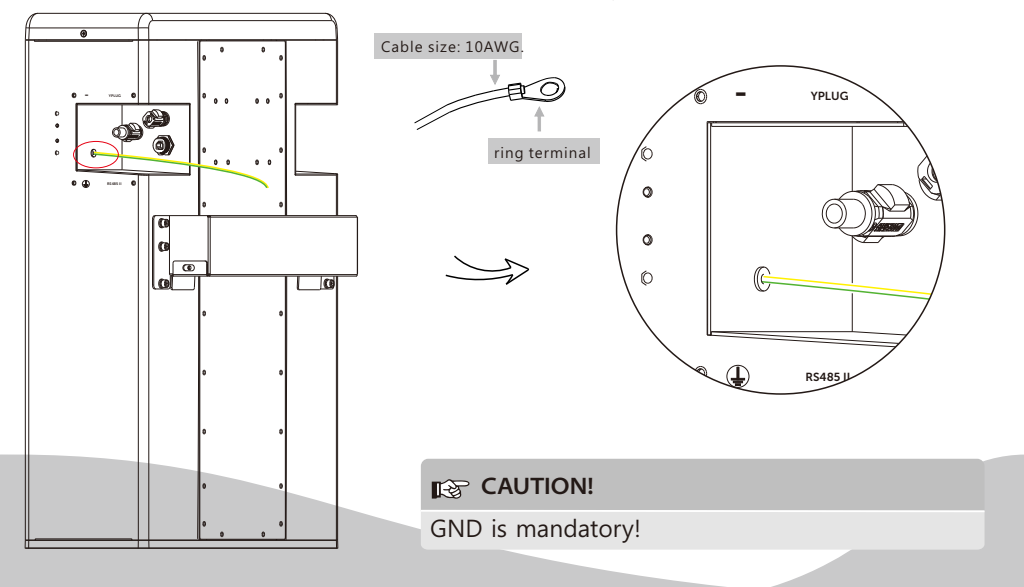
1. Connect "-" on the right side of T-BAT H 5.8/HV11550 to "+" on the left side of the next battery pack.
2. Connect "YPLUG" on the right side of T-BAT H 5.8/HV11550 to "XPLUG" on the left side of the next battery pack.
3. The rest battery packs are connected in the same way.
4. Insert the series-connected plug at "-" and "YPLUG" on the right side of last battery pack to make a complete circuit.



X

Ground Connection

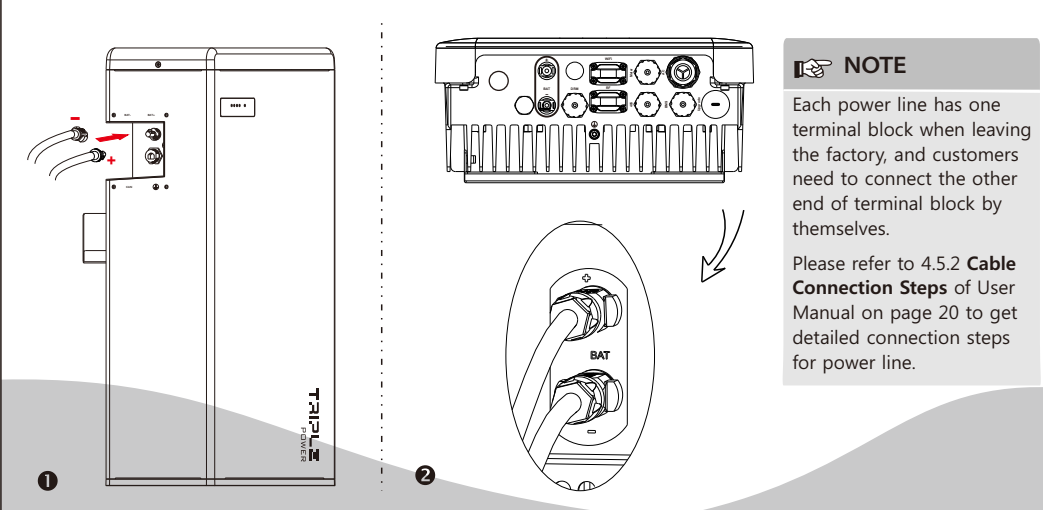
The terminal point for GND connection is on the side of grooves as shown below:



VIII

Power Line Connection

1. Connect the the positive cable (+) and negative cable (-) to the corresponding port as shown in the following figure.
2. Keep the Inverter off. Connect the other end of charging cables (+,-) to the correct port on the Inverter.



XI

Commissioning

If all the battery packs are installed, follow these steps to put it in operation.

1. Remove the upper cover board of T-BAT H 5.8;
2. Remove the small cover plate;
3. Rotate the DIP to corresponding number with small tool according to the number of battery pack(s) that has(have) been installed (please see the configuration on the right);
4. Move the circuit breaker to the ON position;
5. Press the POWER button to turn on the T-BAT system;
6. Put the small cover plate back;
7. Reinstall the upper cover board to T-BAT H 5.8;
8. Power on the Inverter.

DIP Configuration:

- 0- Matching T-BAT H 5.8 (default)
- 1- Matching T-BAT H 5.8 + 1*HV11550
- 2- Matching T-BAT H 5.8 + 2*HV11550
- 3- Matching T-BAT H 5.8 + 3*HV11550

