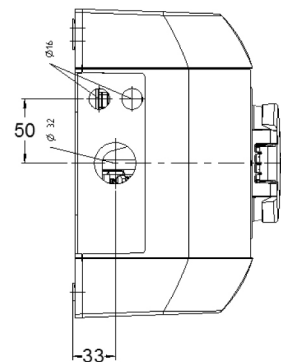
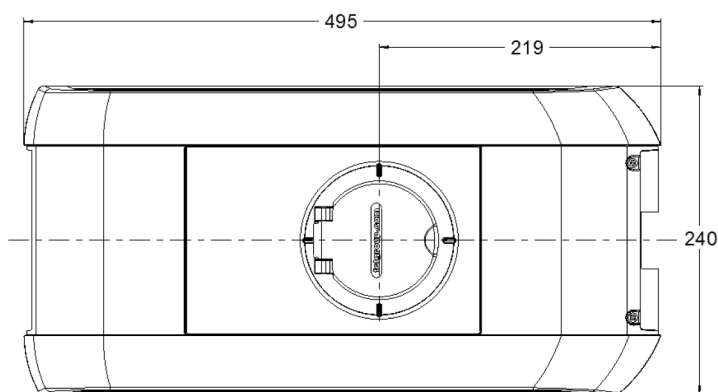
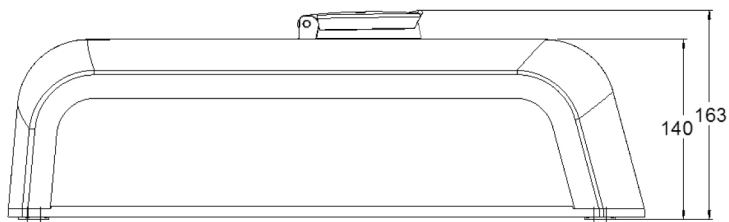
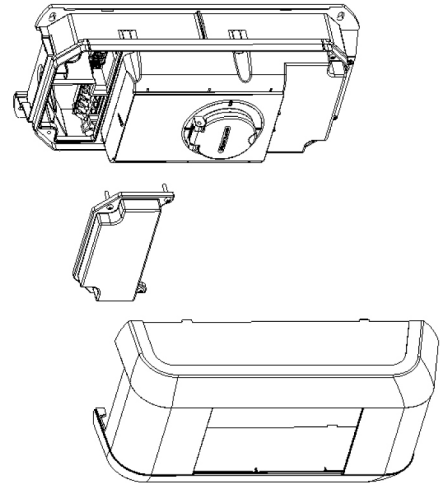
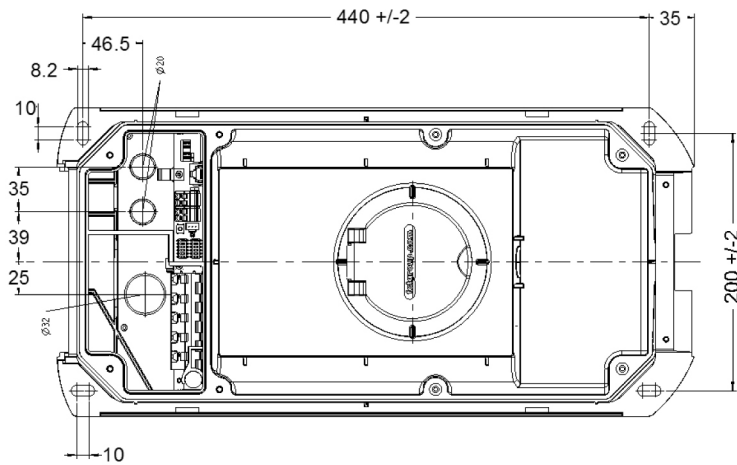


# Dimensions

## KeContact P30

### Version with standard socket (Type 2)



Dimensions in mm.

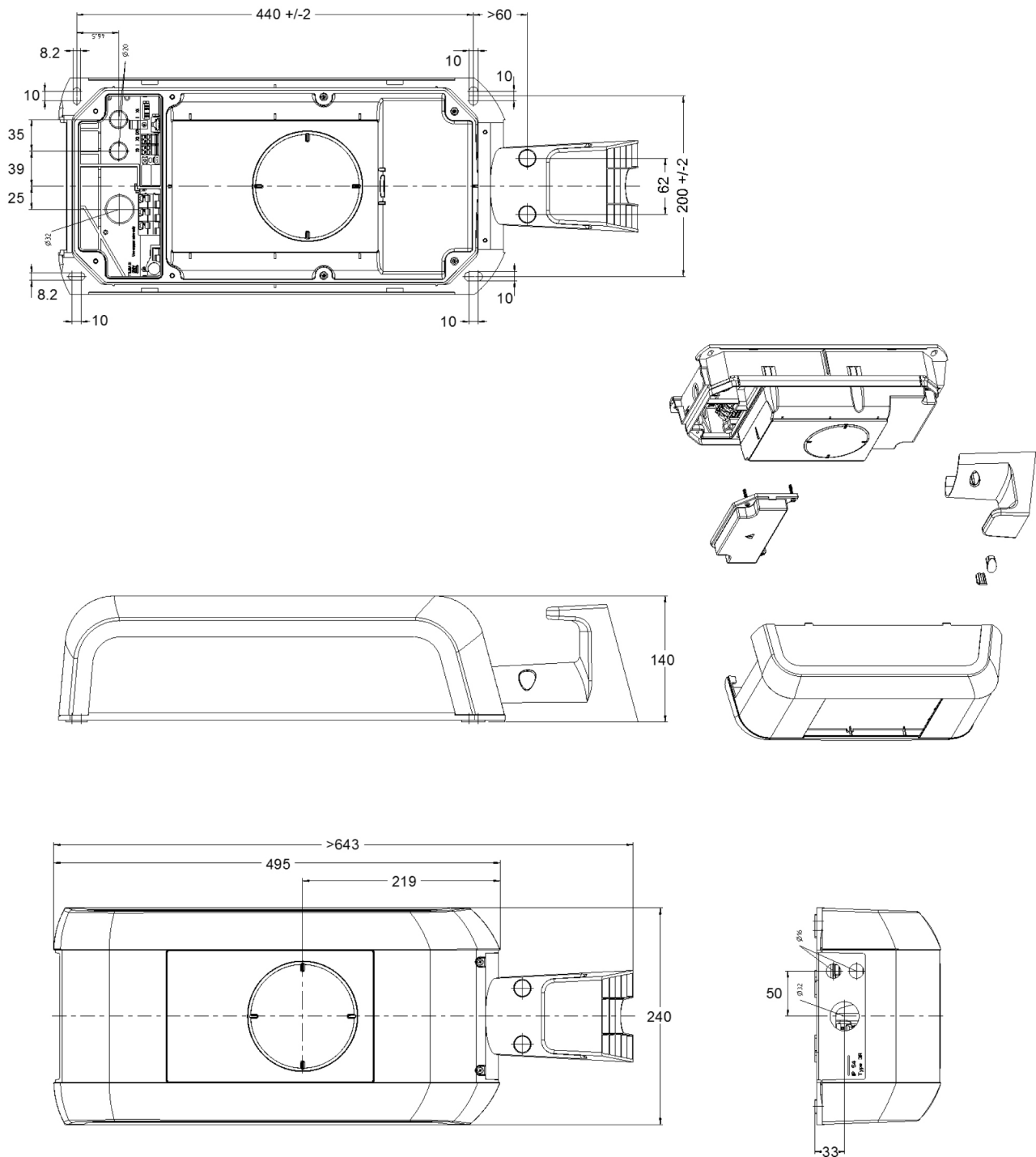
# KEBA®

Automation by innovation.

# Dimensions

## KeContact P30

Version with charging cable and hanger (Type 1 with fixed cable, Type 2 with fixed cable)



Dimensions in mm.

# KEBA®

Automation by innovation.

# Technical data

## KeContact P30

Electrical data	
Cable feed	Surface cable routing or flush-type cable routing
Connection cross-section	Minimum cross-section (depending on the cable and the laying system): - 5 x 2.5 mm <sup>2</sup> (16 A nominal current) - 5 x 6.0 mm <sup>2</sup> (32 A nominal current)
Supply terminals	Connection line: - Solid (min.-max): 0.2 – 16 mm <sup>2</sup> - Flexible (min.-max): 0.2 – 16 mm <sup>2</sup> - AWG (min.-max): 24 – 6 - Flexible (min.-max) with wire end sleeve without/with plastic sleeve: 0.25 – 10 / 0.25 – 10 mm <sup>2</sup>
Supply terminals temperature rating	105°C
Nominal current (configurable connection values)	10 A, 13 A, 16 A, 20 A, 25 A or 32 A 3-phase or 1-phase
Mains voltage (Europe)	230 V 230/400 V 3N~ (excluding e-series)
Mains frequency	50 Hz / 60 Hz
Network configuration	TT / TN / IT (P30 only)
Overvoltage category	III according to EN 60664
Rated short-time withstand current	< 10 kA effective value according to EN 61439-1
Fuse protection (in domestic installation)	The fuse protection must be implemented according to the locally valid regulations, according to the socket versions / cable versions (see type plate).
DC residual-current monitoring (P30 only)	FI / RDCMB ≤ 6mA DC (integrated with corresponding
P30 device version)	FI / RDCMB ≤ 6mA DC (integriert bei entsprechender P30 Geräte-Variante)
Socket versions	Type 2 standard socket: 32 A / 400 V <sub>AC</sub> according to EN 62196-1 and VDE-AR-E 2623-2-2
Cable versions (for rating see type plate)	Type 1 cable: up to 32 A / 230 V <sub>AC</sub> according to EN 62196-1 and SAE-J1772 Type 2 cable: up to 32 A / 400 V <sub>AC</sub> according to EN 62196-1 and VDE-AR-E 2623-2-2
Protection class	I
IP protection rating for device	IP54
Protection against mechanical impact	IK08 (except for cylinder lock)

Ambient conditions	
Operating temperature at 16 A	-25°C to +50°C without direct sunlight
Operating temperature at 32 A	-25°C to +40°C without direct sunlight
Temperature behavior	In each case, for the specified operating temperature ranges, the device provides charging current continuously. To increase the charging availability, the charging current specification is reduced to 16 A if the temperature is exceeded. The charging procedure can also subsequently be switched off. After cooling down, the charging current specification is increased again.
Storage temperature range	-25°C to +80°C
Speed of temperature change	max. 0.5°C/min
Permitted relative humidity	5 % to 95 % (non condensing)
Altitude	max. 2000 m above sea level



Automation by innovation.

# Technical data

## KeContact P30

### Interfaces

Enable input [X1]	Enable input for external authorization: Connection line: - Cross section (min.-max): 0.08 – 4 mm <sup>2</sup> - AWG (min.-max): 28 – 12
Potential-free switch contact output [X2]	Safety extra-low voltage <50 V <sub>AC</sub> 50/60 Hz External current limiting max. 0.5 A Connection line: - Cross section (min.-max): 0.08 – 4 mm <sup>2</sup> - AWG (min.-max): 28 – 12
Ethernet2 connection (debug) [X3]	RJ45
Ethernet1 connection [X4]	LSA+ terminals
USB connection [X5] (P30 only)	USB socket type A (max. 500 mA)
RFID (optional)	MIFARE cards or tags according to ISO14443
Cylinder lock (optional)	Profile half cylinder according to EN 1303 or DIN 18252 Length A=30 mm (31 mm)

### Mechanical data

Dimensions (W x H x D)	240 x 495 x 163 mm (e.g. type 2 standard socket)
Weight	approx. 4.8 kg (depending on device version) approx. 4.8 kg (depending on device version)

### CE Declaration of Conformity

2014/35/EU	Low-voltage Directive
2014/30/EU	Electromagnetic Compatibility Directive
2014/53/EU	Radio Equipment Directive (RED)
2011/65/EU	Directive on the restriction of the use of certain hazardous substances (RoHS)
2012/19/EU	Directive for waste electrical and electronic equipment (WEEE)



Automation by innovation.