

# LG Energy Storage System

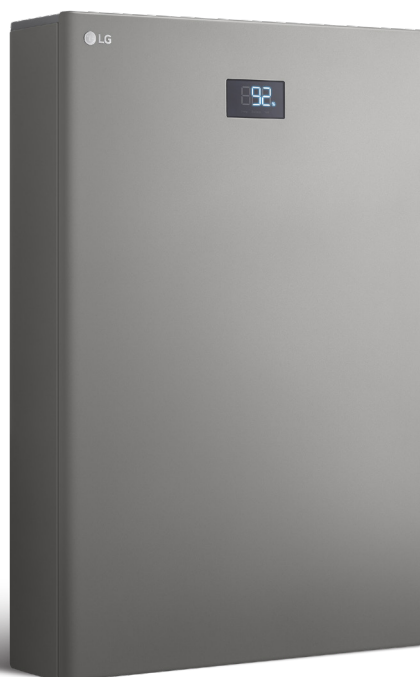


## Reliable Power from a Reliable Brand

The LG Electronics ESS is a state-of-the-art home energy system designed for homeowners ready to take control of their home energy usage. It offers reliable power both day and night from a highly efficient system. Expertly designed, the battery capacity can be expanded up to 28.5kWh without any additional devices.

### LG HBC Battery

BUEL011HBC1  
BUEL015HBC1



### LG ESS Home

D008KE1N211  
D010KE1N211



## Highly Efficient Energy Storage System



### One brand, one warranty

LG is a single manufacturer of both the battery and PCS



### Quick and easy installation

Thanks to the modular design, transportation and installation become easy



### Using more sunlight with 3 MPPT advanced feature

With flexible 3 MPPT, Home ESS can capture more energy for a multi-angled roof



### Compatibility with LG Therma V, air-to-water heat pump

Expertly designed with compatibility in mind



### Large storage capacity

No additional device required for expanding capacity (10.7/14.2/21.4/28.5kWh)

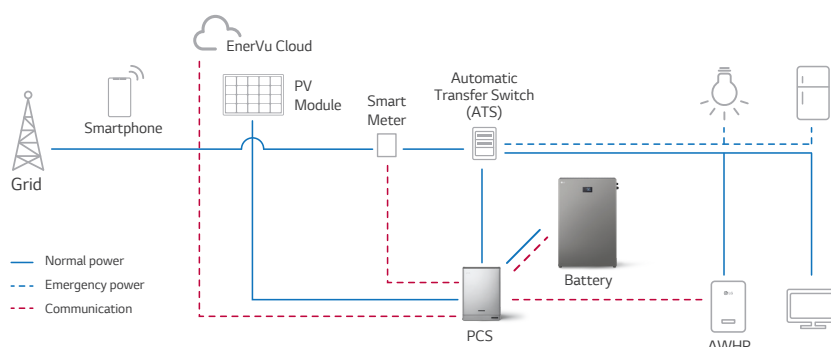


### Smart Management using EnerVu

User-friendly app enables to easily check electricity generation, self-consumption and other valuable information

# LG Energy Storage System

## System Layout



For safe ESS system operation, it is recommended to register EnerVu Cloud (<https://enervu.lg-ess.com>) and stay connected

## PCS Specifications

### DC Input

Model	LG ESS Home 8	LG ESS Home 10
Input Voltage Range	150 ~ 1,000V <sub>DC</sub>	
Max. DC Power (per channel)	12kW (6kW)	13.5kW (7.5kW)
Usable MPP Voltage Range	150 ~ 800V	
Input Voltage Range MPPT at Rated AC Output Power	275 ~ 800V	
Number of MPPT	3	
Number of String per MPPT	1	
Max. Input Current per MPPT	13 A	

### AC Output

Rated Grid Voltage	3-NPE 400V / 230V	
AC Voltage Range	312 ~ 458 V / 195.5 ~ 287.5 V	
Frequency (Range)	50Hz (47.5 ~ 52.0Hz)	
Rated Output Power	8kVA	10kVA
Rated Output current	11.5A	14.4A
THD / Power Factor	< 5% / ±0.8	
Max. Efficiency (PV to Grid)	> 97.7%	

### General Data

Dimension (W/H/D, mm)	450 / 599 / 210	
Weight	34kg	
Operation Temperature	0°C ~ 60°C (derating at 40°C)	
Typical Noise emission	40dB	
Topology	Transformer-less	
Cooling Type	Forced Convection	
Degree of Protection	IP21	
Warranty	10 years	

### Compatibility Product List

Energy Meter	ABB (B23 112-100, B23 212-100, B23 312-100)
Air to Water Heat Pump	LG Electronics (Therma V Monobloc, Spilt-Hydro Box)
Auto Transfer Switch	Enwitec (Type 10013677, 10013678, 10016021, 10016022)
Smart Gateway	3 <sup>rd</sup> party compatible

### Certifications

PCS	IEC/EN 62109-1/-2, EN 61000 Series, EN 55011, EN 301, 2014/53/EU RED, EN 50549-1, VDE-AR4105:11-2018, DIN VDE V 0124-100, TOR Erzeuger Type A, OVE-R25, C10/C11, RD 1699, TED 749, NTS 2.0, UNE 206007-1, UNE 217002, UNE 217001, TF 3.3.1, AS/NZS 4777.2
Battery	UN38.3, IEC62619, IEC63056, IEC60730-1 Annex H, IEC61000(CE), IP55, UL1973

## Battery Specifications

### DC Input / Output

Model	LG HBC 11H	LG HBC 15H
Battery Type	Lithium Ion	
Total Capacity	11.9kWh	15.8kWh
Usable Capacity <sup>1)</sup>	10.7kWh	14.2kWh
Max. Charge (Single/Dual) <sup>2)</sup>	4kW/7kW	5kW/7kW
Max. Discharge (Single/Dual) <sup>2)</sup>	5kW/7kW	5kW/7kW
Peak Power (Single/Dual)	7kW / 10kW for 10sec	7kW / 10kW for 10sec
Capacity options	10.7 / 14.2 / 21.4 / 28.5 kWh	
Efficiency	>95.5%	

1) Value for battery cell only (depth of discharge 92%) capacity may be limited to protect system. The capacity may decrease as the battery ages.

2) Charging and discharging may take longer depending on ambient temperature and SoC.

### General Data

Dimension (W/H/D, mm)	698 / 1,073 / 205
Weight (11H/ HBC 15H)	117kg / 142Kg
Operating Temperature Range (Charging)	-10 to 45°C
Operating Temperature Range (Discharging)	-20 to 50°C
Cooling Type	Natural Convection
Degree of Protection	IP55
Warranty	10 years (SOH 80%)