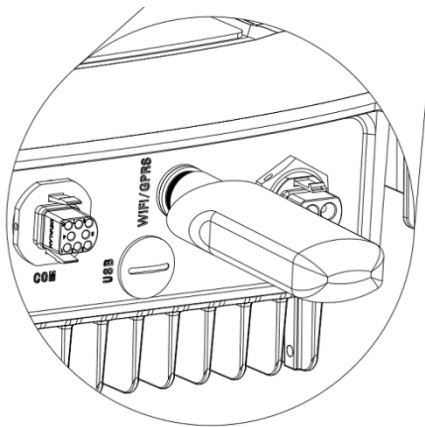




WiFi Stick Installation

STEP 1 >

Plug the WiFi stick into WiFi/GPRS port located at the bottom (underside) of the inverter and make sure it is fully tightened.



STEP 2 >

Power on the inverter (in accordance with the start-up procedure detailed in the product installation manual).

App Installation

STEP 1 >

Scan the QR Code below to download and install the App on your smart phone. You will be presented with the option to choose between Android or IOS as appropriate.

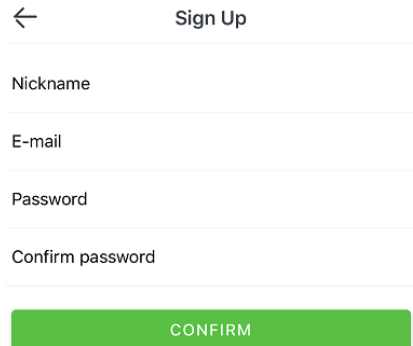


PowerView App

Sign up for an account

STEP 1 >

Open the App, click '**Sign Up**', enter your personal information and click '**CONFIRM**' to complete the registration process.



A screenshot of the 'Sign Up' screen in the app. It features a back arrow on the top left, the title 'Sign Up' in the center, and four input fields: 'Nickname', 'E-mail', 'Password', and 'Confirm password'. Below the fields is a prominent green button labeled 'CONFIRM'.

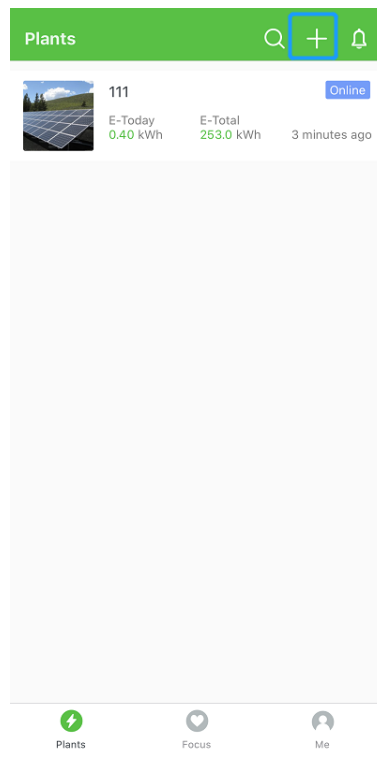
Create a plant

STEP 1 >

Open the App.

STEP 2 >

Click the '+' icon on the homepage and, when prompted, scan the QR code label located on the side of the WiFi stick. Some basic information for this plant will populate automatically. Fill in any vacant fields and click '**done**' (for capacity, simply enter the size of your PV array e.g. 5kW).



WLAN configuration

FOR ANDROID

STEP 1 >

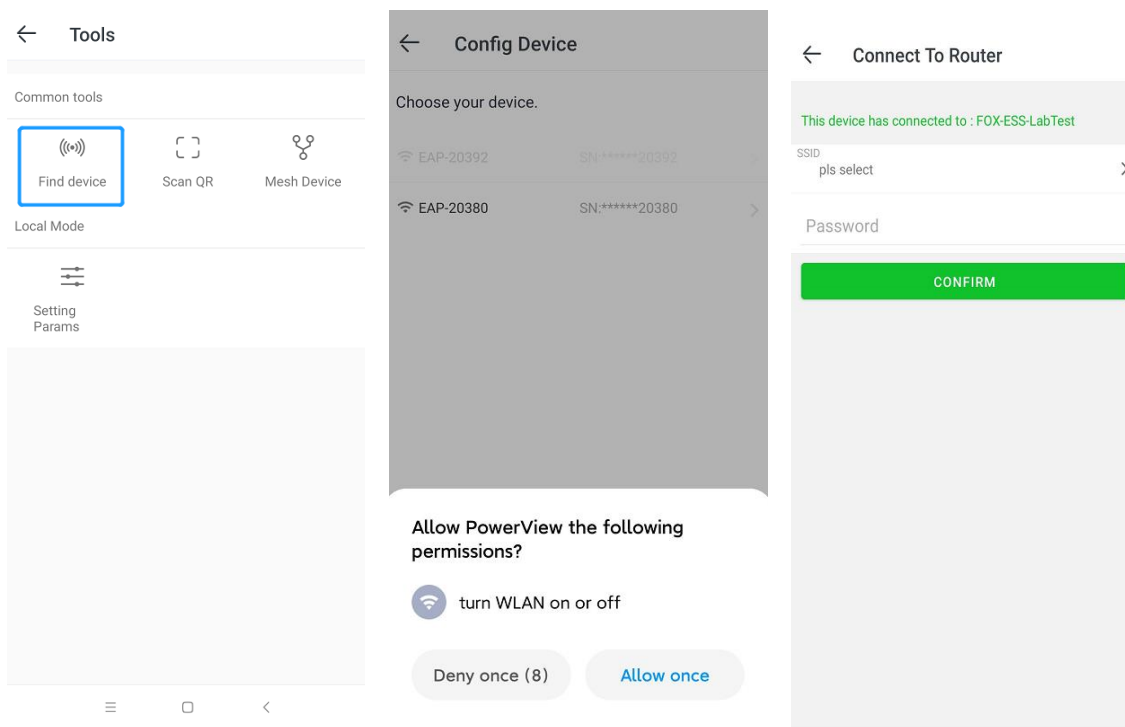
Open the App

STEP 2 >

Navigate to **'Me'**, click **'Tools'**, click **'Find Device'**. The Inverter SSID will appear on the list, select your inverter network (starting with the letters 'EAP') and connect to it.

STEP 3 >

Select your home WiFi network SSID, then enter your home router WiFi's password when prompted to establish a connection between your home WiFi network and the inverter WiFi network.



FOR IOS

STEP 1 >

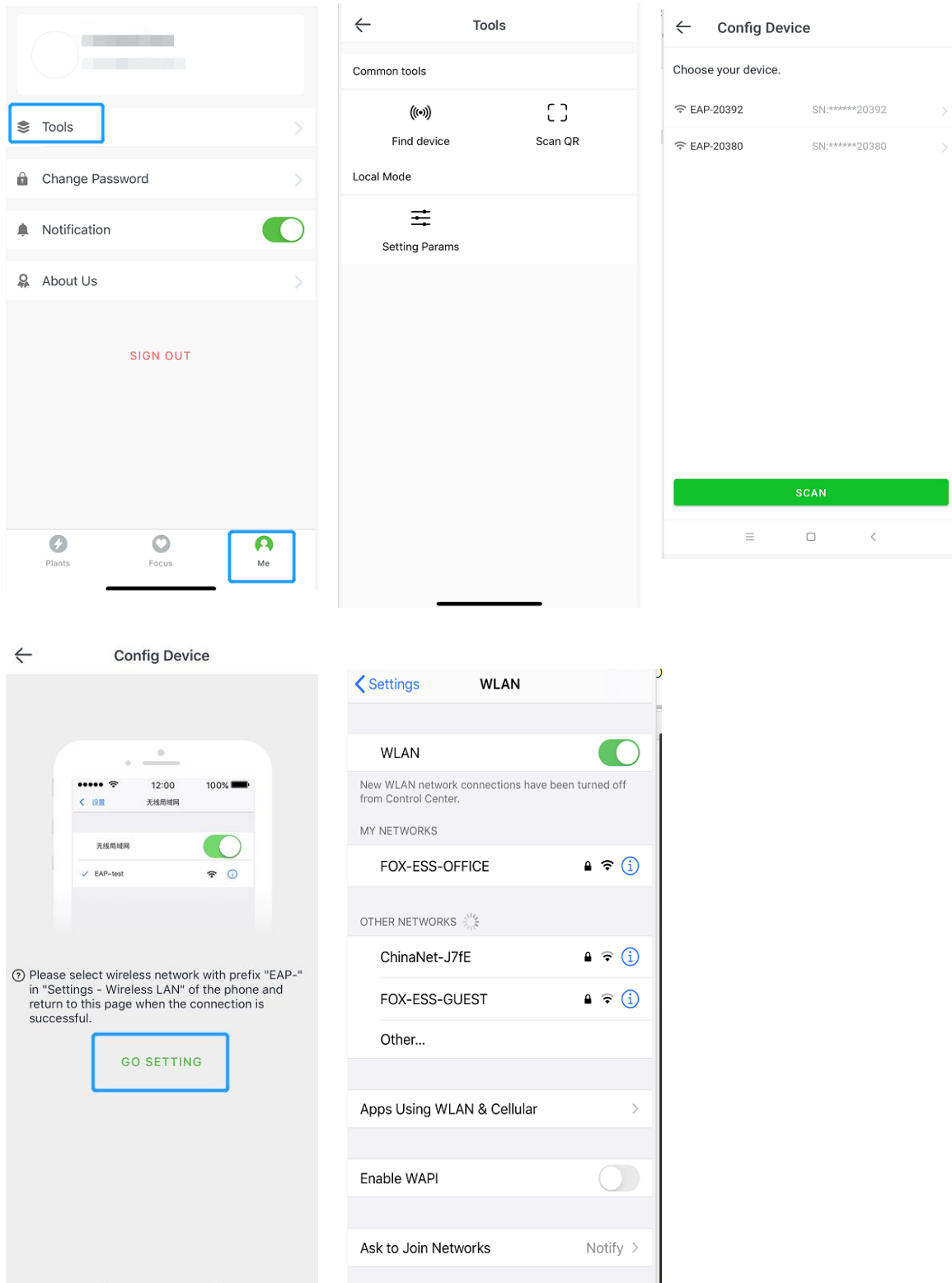
Open the App

STEP 2 >

Navigate to **'Me'** click on **'Tools'**, click **'Find Device'** and click **'Setting'**, the WLAN setting page will load on your iPhone. Select the inverter network starting with letters **'EAP'**, enter password **12345678** and connect to it.

STEP 3 >

Within the App, click **'Setting'** again and this time choose your home WiFi network, enter your home router WiFi password to establish a connection between your home WiFi and the inverter WiFi.



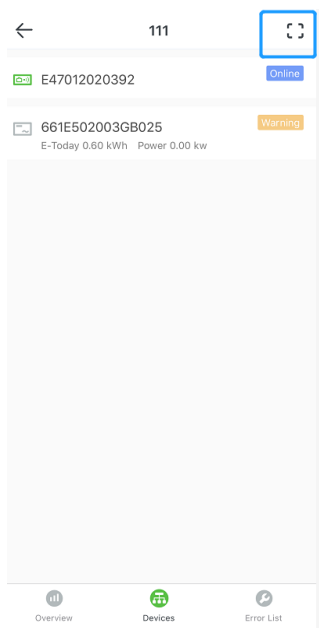
App Introduction

Open the App and click **'My plant'**; the user can monitor detailed information about this plant such as real-time power, accumulated power, monthly yield, daily yield, alarm etc.



How to add more devices

If the user wants to add more than one device under this plant, please enter plant, choose **'device'** and click on the icon to scan the QR code of each additional device.



How to share a plant

Users can share a plant by long pressing for approximately 3 seconds on your plant entry and clicking **'share'**

Note: Only those who have already download this App and registered for an account can view the shared plant.

