

Three-phase On-grid String Inverter

SPI8K~12K-B X2 Series



Product Features

Efficient and flexible

- 2 independent MPPT, max. conversion efficiency 98.6%
- Compatible with large current PV modules

Safe and reliable

- IP66 for outdoor application
- AFCI protection, proactively eliminate security risk
- Integrated AC/DC full lightning protection

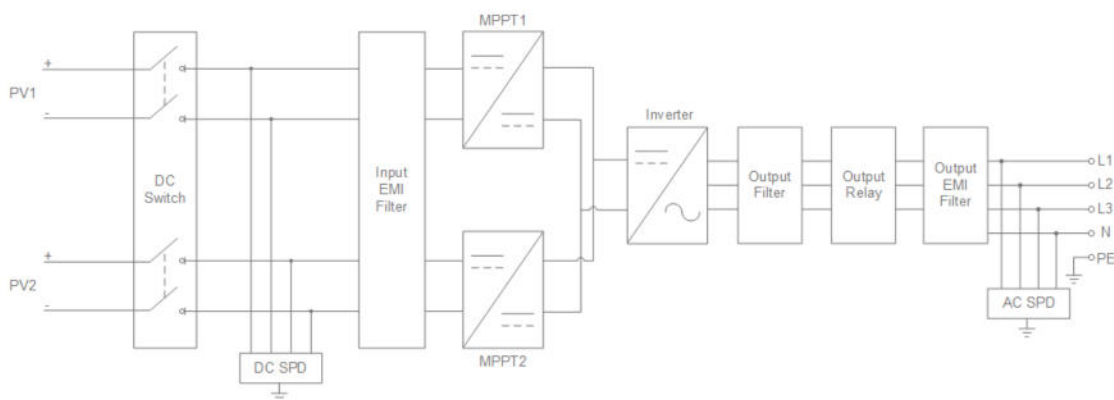
Intelligent management

- I&V Intelligent diagnosis
- Intelligent cloud platform monitoring, realize real-time monitoring
- Support RS485, 4G, Wifi, Bluetooth and other communication methods
- Remote online upgrade, convenient and efficient

Grid friendly

- Grid-connected current harmonics <3%, green adapts to grid
- Ultra wide grid voltage range

Function Diagram



Technical Specification

Items	SPI8K-B X2	SPI10K-B X2	SPI12K-B X2
DC Input (PV)			
Max. PV input voltage		1100Vdc	
Rated input voltage		600Vdc	
Max. PV input current		15A/15A	
No. of MPPTs		2	
No. of PV strings per MPPT		1/1	
MPPT voltage range		180-1100Vdc	
Starting voltage		150Vdc	
DC switch		Yes	
AC Output (On-grid)			
Rated AC output power	8.0kW	10.0kW	12.0kW
Max. output power	8.8kVA	11.0kVA	13.2kVA
Rated AC output voltage		380/400/415Vac	
Rated output current	11.6A	14.5A	17.4A
Max. output current	12.8A	15.9A	19.1A
Rated grid frequency		50Hz/60Hz	
Grid frequency range		45~55Hz/55~65Hz	
Power factor		>0.99 (rated power)	
Adjustable power factor		0.8 (leading)~0.8 (lagging)	
THDi		<3% (rated power)	
Efficiency			
Max. efficiency		98.60%	
European efficiency		98.10%	
MPPT efficiency		99.90%	
Function and protection			
Anti-islanding		Yes	
DC (PV) reversed connection		Yes	
AC short circuit protection		Yes	
Temperature protection		Yes	
Surge protection		DC Type II & AC Type II	
AFCI function		Yes (optional)	
Integrated PID function		Yes (optional)	
IV curve scan and diagnosis		Yes (optional)	
Zero-export function		Yes (optional)	
Certification			
Dimensions (W×H×D)		480×420×182mm	
Weight		17kg	
IP grade		IP66	
Self-consumption at night		<1W	
Cooling type		Natural cooling	
Altitude		4000m (>3000m derating)	
Operating temperature		-35°C~+60°C	
Relative humidity		0~100%	
Display		LED+APP	
DC terminal		MC4 Terminal	
AC terminal		OT Terminal	
Installation method		Wall-mounted	
Communication		RS485, DRM (optional), WiFi (optional)/4G (optional), Bluetooth (optional)	
Standard		IEC/EN62109-1, IEC/EN62109-2, IEC62116, IEC61727, EN50549-1	

- Specifications are subject to change without prior notice.

Kehua Digital Energy

Add: No. 457, Malong Road, Torch High-Tech Industrial Zone, Xiamen Fujian China

Tel: +86-592-5160516 Fax: +86-592-5162166 www.kehua.com

