

Three-phase On-grid String Inverter

SPI30K~36K-B X2



Product Features

Efficient and flexible

- 3 independent MPPT, max. conversion efficiency 98.6%
- Compatible with large current PV modules

Safe and reliable

- IP66 for outdoor application
- AFCI protection, proactively eliminate security risk
- Integrated AC/DC full lightning protection

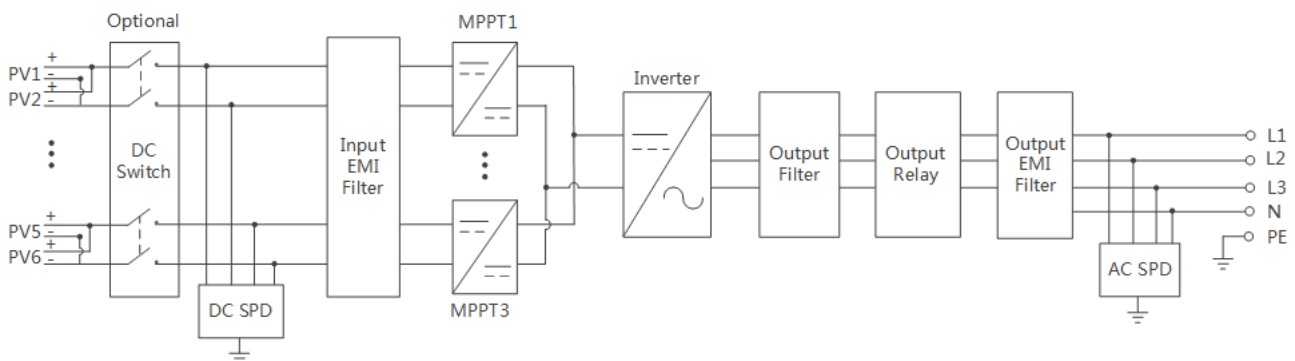
Intelligent management

- I&V Intelligent diagnosis, accurate identification and positioning of abnormal PV panels
- Intelligent cloud platform monitoring, realizing one-key APP real-time monitoring
- Support RS485, 4G, Wifi, GPRS communication
- Remote online upgrade, convenient and efficient

Grid friendly

- Grid-connected current harmonics <3%, green adapts to grid
- Ultra wide grid voltage range

Function Diagram



Technical Specification

Items	SPI30K-B X2	SPI33K-B X2	SPI36K-B X2
DC Input			
Max. PV input voltage	1100Vdc		
Max. PV input current	90A		
No. of MPPTs	3		
No. of PV strings per MPPT	2/2/2		
MPPT voltage range	180Vdc~1100Vdc		
Starting voltage	150Vdc		
AC Output			
Rated AC output power	30kW	33kW	36kW
Max. output power	33kVA	36.3kVA	39.6kVA
Rated AC output voltage	380/400/415Vac		
Rated output current	43.2A	47.6A	52.0A
Max. output current	47.6A	52.4A	57.2A
Rated grid frequency	50Hz/60Hz		
Grid frequency range	45~55Hz/55~65Hz		
Power factor	>0.99 (rated power)		
Adjustable power factor	0.8 (leading)~0.8 (lagging)		
THDi	<3% (rated power)		
Efficiency			
Max. efficiency	98.60%		
European efficiency	98.10%		
Protection			
Anti-islanding	Yes		
DC reversed connection	Yes		
AC short circuit protection	Yes		
Temperature protection	Yes		
Surge protection	Yes		
PV fault detect	Yes		
DC switch	Yes		
AFCI	Yes (optional)		
General			
Dimensions (W×H×D)	550×480×200mm		
Weight	27kg		
IP grade	IP66		
Self-consumption at night	<1W		
Cooling type	Intelligent forced air cooling		
Altitude	4000m (>3000m derating)		
Operating temperature	-35°C~60°C		
Relative humidity	0~100%		
Display	LED, Bluetooth+APP		
Communication	RS485/4G (optional)/WIFI (optional)/GPRS (optional)		
DC terminal	MC4 Terminal		
AC terminal	OT/DT Terminal		
Installation method	Wall-mounted		
Standard	IEC62109-1, IEC62109-2, IEC61000-6-2, IEC61000-6-4, IEC61727, IEC62116, EN50549-1		

- Specifications are subject to change without prior notice.

Kehua Tech

Add: No. 457, Malong Road, Torch High-Tech Industrial Zone, Xiamen Fujian China

Tel: +86-592-5160516 Fax: +86-592-5162166 www.kehua.com

