

**INSTALLATION
MANUAL OF DOUBLE
GLASS MODULE**

CONTENTS

1.0 GENERAL INFORMATION	3
1.1 INSTALLATION MANUAL DISCLAIMER	3
1.2 LIMITATION OF LIABILITY	3
2.0 SAFETY PRECAUTIONS	3
3.0 MECHANICAL / ELECTRICAL SPECIFICATIONS	4
4.0 UNPACKING AND STORAGE	5
5.0 MODULE INSTALLATION	6
5.1 MODULE WIRING	9
5.2 GROUNDING.....	12
6.0 MOUNTING INSTRUCTIONS	13
6.1 MOUNTING METHODS: BOLTING.....	14
6.2 MOUNTING METHODS: CLAMPING.....	16
6.3 INSERTION SYSTEMS	20
6.4 MOUNTING METHODS (SINGLE-AXIS TRACKER)	21
7.0 MAINTENANCE.....	23
8.0 Module Cleaning Guidelines	23
ANNEX A: MECHANICAL AND ELECTRICAL RATINGS	25
ANNEX B: GUIDANCE ON MODULE TEMPERATURE FOR SEVERAL LOCATIONS.....	28
ANNEX C: COASTAL AREA ANTI-CORROSION INSTALLATION GUIDELINES	29
AMENDED EDITIONS AND DATES.....	33

1.0 GENERAL INFORMATION

This general manual provides important safety information relating to the installation, maintenance and handling of double glass solar modules.

Professional installer must read these guidelines carefully and strictly follow these instructions. Failure to follow these instructions may result in death, injury or property damage. The installation and handling of PV modules require professional skills and should only be performed by qualified professionals. The installers must inform end-users (consumers) the aforesaid information accordingly.

The word “module” or “PV module” used in this manual refers to one or more double glass solar modules. This manual is valid for the bifacial double glass module types CS3W-PB-AG, CS3W-MB-AG, CS3Y-MB-AG, CS3Y-PB-AG, CS6W-MB-AG, CS6R-MB-AG, CS7N-MB-AG, CS7L-MB-AG, and monofacial double glass module types CS6R-H-AG and CS6RA-H-AG. Please retain this manual for future reference.

We recommend visiting www.csisolar.com regularly for the most updated version of double glass module installation manual.

1.1 INSTALLATION MANUAL DISCLAIMER

The information contained in this manual is subject to change by Canadian Solar without prior notice. Canadian Solar gives no warranty of any kind whatsoever, either explicitly or implicitly, with respect to the information contained herein.

In the event of any inconsistency among different language versions of this document, the English version shall prevail. Please refer to our product lists and documents published on our website at: www.csisolar.com as these lists are updated on a regular basis.

1.2 LIMITATION OF LIABILITY

Canadian Solar shall not be held responsible for damages of any kind, including – without limitation – bodily harm, injury or damage to property, in connection with handling

PV modules, system installation, or compliance or non-compliance with the instructions set forth in this manual.

2.0 SAFETY PRECAUTIONS



Warning

Before attempting to install, wire, operate and/or service the module and other electrical equipment, all instructions should be read and understood. PV module connectors pass direct current (DC) when exposed to sunlight or other light sources. Contact with electrically active parts of the module, such as terminals, can result in injury or death, irrespective of whether or not the module and the other electrical equipment have been connected.



Avertissement

Toutes les instructions devront être lues et comprises avant de procéder à l'installation, le câblage, l'exploitation et/ou l'entretien des panneaux.

Les interconnexions des panneaux conduisent du courant continu (CC) lorsque le panneau est exposé à la lumière du soleil ou à d'autres sources lumineuses. Tout contact avec des éléments sous tension du panneau tels que ses bornes de sortie peut entraîner des blessures ou la mort, que le panneau soit connecté ou non.

General Safety

All modules must be installed by licensed electricians in accordance to the applicable electrical codes such as, the latest National Electrical Code (USA) or Canadian Electric Code (Canada) or other national or international applicable electrical codes.



Protective clothing (non-slip gloves, clothes, etc.) must be worn during installation to prevent direct contact with 30 V DC or greater, and to protect hands from sharp edges.



Prior to installation, remove all metallic jewelry to prevent accidental exposure to live circuits.



When installing modules in light rain, morning dew, take appropriate measures to prevent water ingress into the

connector.



Do not allow children or unauthorized persons near the installation site or module storage area.

- Use electrically insulated tools to reduce the risk of electric shock.
- If the disconnects and over current protection devices (OCPDs) cannot be opened or the inverter cannot be powered down, cover the fronts of the modules in the PV array with an opaque material to stop the production of electricity when installing or working on a module or wiring.
- **Do not** install modules in strong wind.
- **Do not** use or install broken modules.
- **Do not** contact module surface if the front or rear glass is broken. This may cause electric shock.
- **Do not** attempt to repair any part of the module. The PV module does not contain any serviceable parts.
- **Do not** open the cover of the junction box at any time.
- **Do not** disassemble a module or remove any module part.
- **Do not** artificially concentrate sunlight on a module.
- **Do not** connect or disconnect modules when current from the modules or an external source is present.

3.0 MECHANICAL / ELECTRICAL SPECIFICATIONS

Module electrical ratings are measured under Standard Test Conditions (STC) of 1000 W/m² irradiance, with an AM1.5 spectrum, and a cell temperature of 25°C. Detailed electrical and mechanical characteristics of Canadian Solar crystalline silicon PV modules can be found in Annex A (Module Specifications) on www.csisolar.com. Main electrical characteristics at STC are also stated on each module label. Please refer to the datasheet or the product nameplate for the maximum system voltage.

Under certain conditions, a module may produce more current or voltage than its Standard Test Conditions rated

power. As a result, the module short-circuit current under STC should be multiplied by 1.25, and a correction factor should be applied to the open-circuit voltage (see Table 1 below), when determining component ratings and capacities.

Table 1: Low temperature correction factors for open-circuit voltage

Lowest Expected Ambient Temperature (°C/°F)	Correction Factor
24 to 20 / 76 to 68	1.02
19 to 15 / 67 to 59	1.04
14 to 10 / 58 to 50	1.06
9 to 5 / 49 to 41	1.08
4 to 0 / 40 to 32	1.10
-1 to -5 / 31 to 23	1.12
-6 to -10 / 22 to 14	1.14
-11 to -15 / 13 to 5	1.16
-16 to -20 / 4 to -4	1.18
-21 to -25 / -5 to -13	1.20
-26 to -30 / -14 to -22	1.21
-31 to -35 / -23 to -31	1.23
-36 to -40 / -32 to -40	1.25

Alternatively, a more accurate correction factor for the open-circuit voltage can be calculated using the following formula:

$$C_{Voc} = 1 - \alpha_{Voc} \times (25 - T)$$

T (°C) is the lowest expected ambient temperature at the system installation site.

α_{Voc} (%/°C) is the voltage temperature coefficient of the selected module (refer to corresponding datasheet).

OCPD rating selection should be done per the following guidance, where the minimum OCPD rating possible is determined by calculating the expected maximum circuit current for the PV system, and the maximum OCPD rating constrained by the IEC 61215: 2016 and UL61730 standard requirements for the certified PV modules.

Minimum string fuse rating < X ≤ Maximum string fuse rating.

The maximum string fuse ratings can be found in ANNEX A: Mechanical and Electrical Ratings for all the certified Canadian Solar double glass module types.

The minimum string fuse rating for compliance with NEC: 2017 code and IEC 62548: 2016 requirement is suggested to be determined as follows:

Minimum string fuse rating = $I_{SC_{STC}} \times 1.25 \times \text{Max} (1.175, I_{mp_{p_a}} \div I_{mp_{p_{STC}}})$.

$I_{mp_{p_a}}$ = the highest 3-hour current average resulting from the simulated local simultaneous irradiances on the front and rear sides of the PV array accounting for elevation and orientation.

$I_{SC_{STC}}$ = the listed short circuit current at 0% bifacial gain on the PV module datasheet or nameplate label.

$I_{mp_{p_{STC}}}$ = the listed MPP operating current at 0% bifacial gain on the PV module datasheet or nameplate label.

An assembly, together with its overcurrent device(s), that is listed for continuous operation at 100 percent of its rating shall be permitted to be used at 100 percent of its rating, and therefore shall not require the additional 1.25 multiplier.

Electrical calculations and design must be performed by a competent engineer or consultant.

Please contact Canadian Solar's technical support team for additional information pertaining to engineering optimization and approval of project specific module string lengths.

4.0 UNPACKING AND STORAGE

NOTICE

PRECAUTIONS

- Modules should be stored in a dry and ventilated environment to avoid direct sunlight and moisture. If modules are stored in an uncontrolled environment, the storage time should be less than 3 months and extra precautions should be taken to prevent connectors from being exposed to moisture or sunlight, like using connector endcaps. Protect the package from damage. In any circumstances, pallets with landscape-oriented module packaging shall not be stacked vertically more than two high; and for pallets with portrait-oriented module packaging, stacking is not

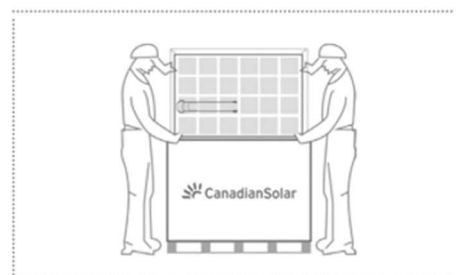
allowed



When unloading module pallets from a flatbed truck, please use a crane or a forklift to remove the module pallets.

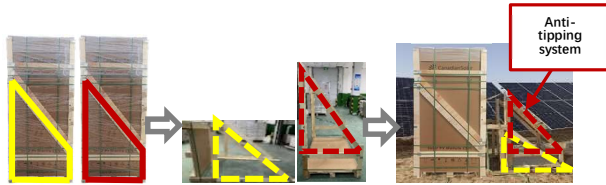
When unloading module pallets from containers, please use a fork lift to remove the module pallets from the container or trailer. Do not move any pallets within the container or trailer without properly lifting them first. The forklift should be close to the ground in order to avoid the top of module pallets from touching the top of the cabinet door. For CS6W-MB-AG modules, the thickness of forklift blades should be less than 75 mm and the length of the forklift blades should be longer than 2300 mm when unloading the pallets from short side. For unloading pallets of CS7N-MB-AG and CS7L-MB-AG modules, the thickness of the forklift blades should be less than 75 mm, the length of the forklift blades should be longer than 1250 mm and the distance between the forklift blades should be wider than 600 mm (from middle to middle of the forklift blades). Consult your Canadian Solar representative for more detailed unloading instructions.

- Unpack module pallets carefully, following the steps shown on the pallet. Unpack, transport and store the modules with care.
- Modules must always be unpacked and installed by two or three people. Always use both hands when handling modules with gloves.

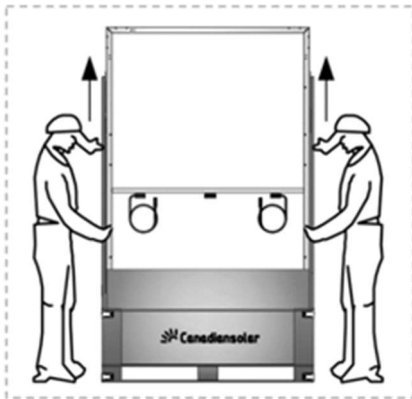


For modules vertically packed (CS7L and CS7N), one person must be present to prevent the unpacked modules from

falling during the unpacking process. Please use an anti-tipping structure. Such structure can be built with the pallet's own wooden frame according to the instructions below:



- During unpacking, the unpacked modules should be properly fixed. After unpacking, it is recommended to place the remaining un-installed modules horizontally on a pallet, not exceeding the total number of 12 modules in one stack. Visit our website or contact your Canadian Solar representative for more detailed unpacking requirements.



- **Do not** lift modules by their wires or junction box, lift them by the frame.
- **Do not** allow the panels to sag or bow under their own weight when being carried.
- Stacking of modules should be limited to no more than 12 modules and frames should be aligned with one another on the pile.
- **Do not** place excessive loads on the module or twist the module.
- **Do not** carry modules on your head.
- **Do not** drop or place objects (such as tools) on the modules.
- **Do not** use sharp instruments on the modules.

- **Do not** leave modules unsupported or unsecured.
- **Do not** stand, step, walk and/or jump on modules under any circumstances. Localized heavy loads may cause severe micro-cracks at cell level, which in turn may compromise module reliability and void Canadian Solar's warranty.



- **Do not** change the wiring of bypass diodes.
- Keep all electrical contacts clean and dry at all times.
- **Do not** expose the modules and its electrical contacts to any unauthorized chemical substance (e.g. oil, lubricant, pesticide, etc.).

PRODUCT IDENTIFICATION

Each module has three identical barcodes (one in the laminate under the front glass, the second on the rear side of the module and the third on the frame) that act as a unique identifier. Each module has a unique serial number containing 14 digits or 16 digits.

A nameplate is also affixed to the rear of each module. This nameplate specifies the model type, as well as the main electrical and safety characteristics of the module.

5.0 MODULE INSTALLATION



PRECAUTIONARY MEASURES AND GENERAL SAFETY

- Prior to installing modules, please obtain information about any requirements and necessary approvals for the site, installation and inspection from the relevant authorities.
- Check applicable building codes to ensure that the construction or structure (roof, facade, support, etc.) can bear the module system load.
- Canadian solar modules have been qualified for Application Class A (equivalent to Safety Class II

requirements). Modules rated under this class should be used in systems operating at voltage above 50V or power above 240W, where general contact access is anticipated.

- Canadian Solar double glass modules have been certified as Type 29 according to UL 61730 and as Class A or Class C for fire performance according to IEC 61730-2 for fire class performance, please refer to the datasheet or the product nameplate for the detailed types.
- Consult your local authority for guidelines and requirements for building or structural fire safety.

UL 61730 SYSTEM FIRE RATING REQUIREMENTS

- The fire rating of this module is only valid when the product is installed as specified in the mechanical mounting instructions.
- When installing the modules, ensure the assembly is mounted over a fire-resistant roof covering rated for the application.
- Photovoltaic systems composed of UL 61730 certified modules mounted on a UL 2703 certified mounting system should be evaluated in combination with roof coverings in accordance with UL 61730 standard, with respect to meeting the same fire classification as the roof assembly.
- Mounting systems with a System Fire Class Rating (Class A, B or C), tested in conjunction with fire rated "Type 29" rated modules, are considered acceptable for use with Canadian Solar modules, provides the mounting system does not violate any other requirements of this manual.
- Any mounting system limitations on inclination or accessories required to maintain a specific System Fire Class Rating should be clearly specified in the installation instructions and UL 2703 certification of the mounting system supplier.

ENVIRONMENTAL CONDITIONS

- PV modules are intended for use in general open-air climates, as defined in IEC 60721-2-1: Classification of environmental conditions Part 2-1: Environmental

conditions appearing in nature. Temperature and humidity.

- It is recommended that PV modules be installed in an environment with ambient temperature ranges from -40 °C to +40 °C.
- The 98th-percentile of the module operational temperature must be of 70 °C or lower under any mounting conditions.
- This environmental temperature range encompasses many locations and installation methods. Annex B provides the reader with modelled PV module temperature examples, at the 98th-percentile depending on the different mounting method and worldwide locations.
- Please consult the Canadian Solar technical support department for more information on the use of modules in special climates, such as an altitude greater than 2000m, heavy snow, severe hail storm, hurricane, etc.
- **Do not** install modules near open flames or flammable materials.
- **Do not** immerse modules in water or constantly expose modules to water (either fresh or salt, i.e. from fountains, sea spray).
- Exposing modules to salt (i.e. marine environments) or sulfur (i.e. sulfur sources, volcanoes) incurs the risk of module corrosion.
- Do not expose modules and their connectors to any unauthorized chemical substances (e.g. oil, lubricant, pesticide, etc.), as modules may incur damages.
- Canadian solar modules have passed salt mist corrosion resistance test according to IEC 61701, but the corrosion may still occur on where the modules frame is connected to the bracket or where the grounding is connected. Should the installation location be near the ocean, Canadian solar recommends stainless steel or aluminum materials be used in the areas with direct contact with the PV modules, and the connection point should be protected with anti-corrosion measures. For more information, please contact Canadian solar technical support team.

INSTALLATION REQUIREMENTS

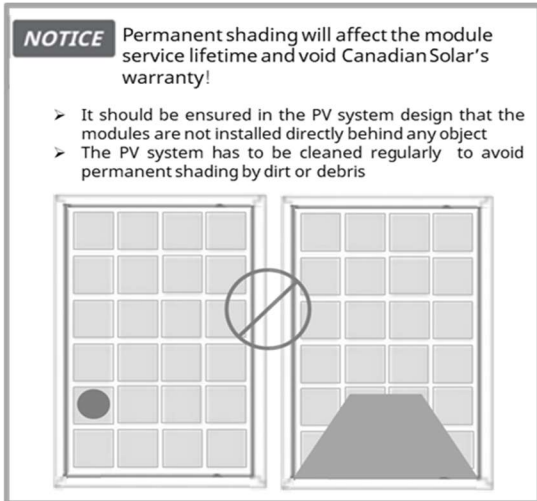
- Ensure that the module meets the general technical system requirements.
- Ensure that other systems components do not damage the module mechanically or electrically.
- Modules can be wired in series to increase voltage or in parallel to increase current. To connect modules in series, connect the cables from the positive terminal of one module to the negative terminal of the next module. To connect in parallel, connect the cables from the positive terminal of one module to the positive terminal on the next module.
- The quantity of bypass diodes in the module junction box provided may vary depending on the model series.
- Only connect the quantity of modules that corresponds to the voltage specifications of the inverters used in the system. In addition, modules must not be connected together to create a voltage higher than the maximum permitted system voltage stated on the module nameplate, even under the worst local temperature conditions (see Table 1 for the correction coefficients that apply to open-circuit voltage).
- A maximum of two strings can be connected in parallel without using an over-current protection device (fuses, etc.) incorporated in series within each string. Three or more strings can be connected in parallel if an appropriate and certified over-current protection device is installed in series within each string. And it shall be ensured in the PV system design that the reverse current of any particular string is lower than the module maximum fuse rating at any circumstances.
- Only modules with similar electrical parameters should be connected in the same string to avoid or minimize mismatch effects in arrays.
- To minimize risk in the event of an indirect lightning strike, avoid forming loops with the wiring when designing the system.
- The recommended maximum series fuse rating is stated in a table in the Annex A.
- Modules should be safely fixed to bear all expected loads, including wind and snow loads.
- After the installation of double glass modules, a 30 mm deflection for framed module is allowed.
- For framed modules, a minimum clearance of 6.5 mm (0.25 in) between modules is required to allow thermal expansion of the frames and modules.
- The tolerance of PV modules on datasheet should be considered when installing PV modules.

OPTIMUM ORIENTATION AND TILT

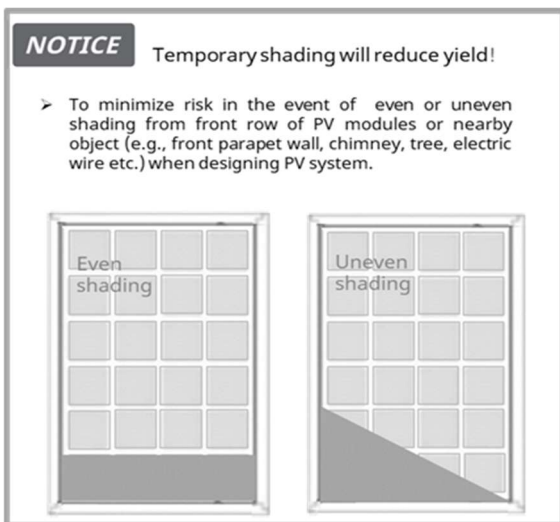
- To maximize the annual yield, please calculate the optimum orientation and tilt for PV modules in that specific installation site. The highest yields are achieved when sunlight shines perpendicularly onto the PV modules.

AVOID SHADING

- Modules shall not be permanently shaded (including partial shading, spot shading, even shading or uneven shading) under any circumstances. Permanent shading includes shading of the same cell, cell row, or module portion for extended and repeated periods of time (e.g. more than 200 daylight hours over the warranted service lifetime). Power dissipated in fully or partially shaded cells will result in power loss, reduced yield and can cause localized overheating, which in turn may negatively impact the module service lifetime. Permanent shading may cause accelerated ageing of the encapsulation material and place thermal stress on the bypass diodes. This would void the module's warranty unless properly mitigated through the use of Module Level Power Electronic (MLPE) devices.



- Regular maintenance is required to keep modules clean. Particular measures should be taken to avoid permanent shading from dirt or debris (e.g., plants, bird droppings, etc).
- Do not install modules directly behind any object (e.g., tree, antenna, etc) to prevent occurrence of permanent shading.
- Even temporary partial shading will reduce the energy yield A module can be considered to be unshaded if its entire surface is free from shading all year round, including on the shortest day of the year.



- For optimizing the power generation of the rear side of bifacial modules, obstacles between modules and the mounting ground should be avoided as much as possible

RELIABLE VENTILATION


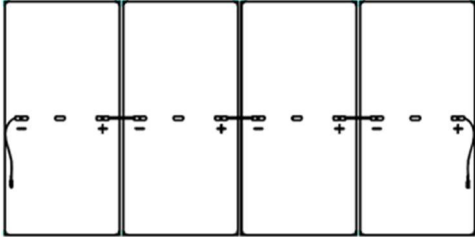
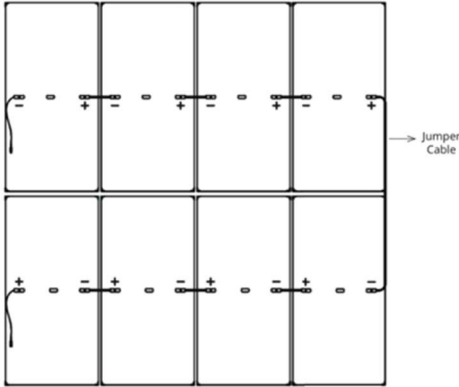
- Bifacial modules use direct, reflected, or diffuse sunlight on the backside to generate additional power. Therefore, bifacial modules are not suggested to be used in building attached photovoltaic systems (BAPV). If BAPV, or similar mounting is still required, sufficient clearance of at least 10 cm (3.94 in) between the module and the mounting surface needs to be provided to allow cooling air to circulate around the back of the module. This also allows condensation or moisture to dissipate.
- According to UL 61730, any other specific clearance required for maintaining a system fire rating should prevail. Detailed clearance requirements pertaining to system fire ratings must be provided by your racking supplier.

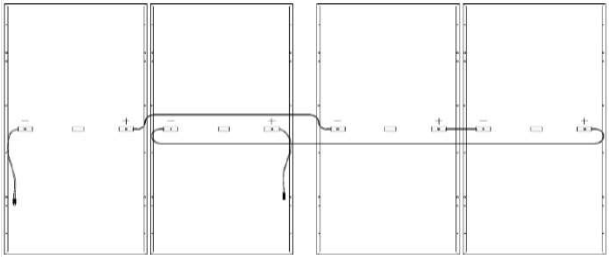
5.1 MODULE WIRING

CORRECT WIRING SCHEME

- Ensure that the wiring is correct before starting up the system. If the measured open circuit voltage (Voc) and short-circuit current (Isc) differ from the specifications, this indicates that there is a wiring fault.
- When modules have been installed, but the system has not been connected to the grid yet, each module string should be kept under open-circuit conditions and proper actions should be taken to avoid dust and moisture penetration inside the connectors.
- For double glass modules, Canadian Solar offers several cable length options to match various system configurations, which are shown in table 2:
- On below figures, bold lines represent cable installation pathways, while + and - connector correspond to positive and negative module terminals respectively.
- Cables should always be fastened on module frames or mounting rails, in order to avoid shading on module rear side.
- In case where a cable connection method not included in below table is used, please confirm suitable cable length with Canadian Solar's sales representative.

Table 2: System Cable Scheme for CS3W, CS3U, CS3Y, CS3K, CS6W, CS6R, CS6RA, CS7N and CS7L modules

Module types	Recommended wiring configurations
<p>CS3W-PB-AG, CS3W-MB-AG, CS3Y-PB-AG, CS3Y-MB-AG, CS6R-H-AG, CS6RA-H-AG, CS6W-MB-AG, CS6R-MB-AG CS7N-MB-AG, CS7L-MB-AG</p>	<p>Landscape installation two rows: CS3W/CS3Y/CS6W/CS7L/CS7N Cable length option = 1400 mm CS6R Cable length option = 1100 mm CS6RA Cable length option = 950 mm</p>
	 <p>Note: Adjacent modules in the same row need to be rotated 180 degrees for proper installation.</p>
	<p>Portrait installation one row: CS3W Cable length per lead = 400 mm (+), 280 mm (-) CS3Y/CS6W Cable length per lead = 410 mm (+), 290 mm (-) CS7L/CS7N Cable length per lead = 460 mm (+), 340 mm (-) CS6R/CS6RA Cable length per lead = 410(+), 290(-)</p>
	
<p>CS3W-PB-AG, CS3W-MB-AG, CS3Y-MB-AG, CS3Y-PB-AG, CS6R-H-AG, CS6RA-H-AG, CS6W-MB-AG, CS6R-MB-AG CS7N-MB-AG, CS7L-MB-AG</p>	<p>Portrait installation two rows: CS3W Cable length = 400 mm (+), 280 mm (-) & 1800 mm jumper cable CS3Y/CS6W Cable length = 410 mm (+), 290 mm (-) & 2000 mm jumper cable CS7L Cable length = 460 mm (+), 340 mm (-) & 2000 mm jumper cable CS7N Cable length = 460 mm (+), 340 mm (-) & 2150 mm jumper cable CS6R Cable length = 410 mm (+), 290 mm (-) & 1500 mm jumper cable CS6RA Cable length = 410 mm (+), 290 mm (-) & 1100 mm jumper cable</p>
	 <p>Note: Modules in adjacent rows need to be rotated 180 degrees for proper installation.</p>

<p>CS3W-PB-AG, CS3W-MB-AG, CS3Y-MB-AG, CS3Y-PB-AG CS6W-MB-AG</p>	<p>Portrait installation one row: (Leap-frog for single-axis tracker) CS3W/CS3Y Cable length = 1850 mm (+), 1850 mm (-) CS6W Cable length = 2000 mm (+), 2000 mm (-)</p>
	

The maximum distance between two adjacent module frames should be within 50 mm (1.96 in) for the side with mounting clamps, and within 25 mm (0.98in) for the side without mounting clamps, in order to meet the system cable scheme.

CORRECT CONNECTION OF CONNECTORS

- Make sure that all connections are safe and properly mated. The PV connector should not be subject to stress from the exterior. Connectors should only be used to connect the circuit. They should never be used to turn the circuit on and off.
- Connectors are not waterproof when unmated. When installing modules, connector should be connected to each other as soon as possible or appropriate measures (like using connector endcaps) should be taken to avoid moisture and dust penetrating into the connector.
- **Do not** connect different connectors (brand and model) together.
- **Do not** clean or precondition the connectors using lubricants or any unauthorized chemical substances.
- For CS6R and CS6RA modules, do not short-circuit the modules before full operation.

USE OF SUITABLE MATERIALS

- Only use dedicated solar cable and suitable connectors (wiring should be sheathed in a sunlight-resistant conduit or, if exposed, should itself be sunlight-resistant) that meet local fire, building and electrical regulations. Please ensure that all wiring is in perfect electrical and mechanical condition.
- Installers may only use single-conductor cable listed and labeled as PV wire which is 90°C wet rated in North America, and single conductor cable with a cross section area of at least 4 mm² (12 AWG), 90°C wet rated in other areas (i.e. IEC 62930: 2017 approved), with proper insulation which is able to withstand the maximum possible system open-circuit voltage. For CS7N and CS7L modules, Canadian Solar recommends the use of a copper wire of at least 6 mm² (10AWG) section.
- Only copper conductor material should be used. Select a suitable conductor gauge to minimize voltage drop and ensure that the conductor ampacity complies with local regulations (i.e. NEC 690.8(D)).


CABLE AND CONNECTOR PROTECTION

- Secure the cables to the mounting system using UV-

resistant cable ties. Protect exposed cables from damage by taking appropriate precautions (e.g. placing them inside a metallic raceway like EMT conduit). Avoid exposure to direct sunlight.

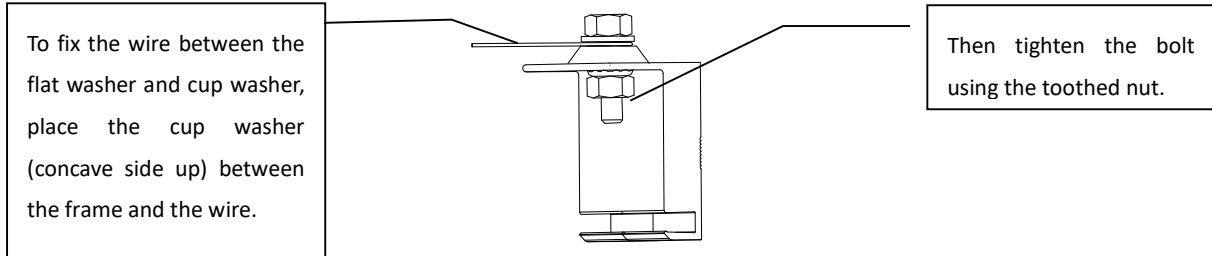
- A minimum bending radius of 60 mm (2.36 in) is required when securing the junction box cables to the racking system.
- Protect exposed connectors from weathering damage by taking appropriate precautions. Avoid exposure to direct sunlight.
- Do not place connectors in locations where water could easily accumulate.

5.2 GROUNDING

- For grounding requirements in North America, a module with exposed conductive parts is considered to comply with UL 61730 only when it is electrically grounded in accordance with both the instructions presented below and the requirements of the National Electrical Code. Any grounding means used with Canadian Solar modules should be NRTL certified to UL 467 and UL 2703 standards. Please consult our technical service team for the formal approval process.
- For grounding requirements in other areas, although the modules are certified to Safety Class II, we recommend them to be grounded and that module installation should comply with all applicable local electrical codes and regulations. Minimum size of equipment grounding conductors for ground raceway and equipment from NEC 690.8(D) should be considered. Grounding connections should be installed by a qualified electrician. Connect module frames together using adequate grounding cables: we recommend using 4-14 mm² (AWG 6-12) copper wire. Holes provided for this purpose are identified with a grounding symbol  (IEC 61730-1). All conductive connection junctions must be firmly fixed.
- Do not drill any extra ground holes for convenience as this will void the modules warranty.
- All bolts, nuts, flat washers, lock washers and other relevant hardware should be made of stainless steel, unless otherwise specified.

- Canadian Solar does not provide grounding hardware. recommended for Canadian Solar.
- The grounding method described below is

GROUNDING METHOD: BOLT + TOOTHED NUT + CUP WASHER.



- A grounding kit containing an M5 (3/16") SS cap bolt, an M5 (3/16") SS flat washer, an M5 (3/16") SS cup washer, and an M5 (3/16") SS nut (with teeth) is used to attach copper grounding wire to a pre-drilled grounding hole on the frame (see image above). The grounding holes are located at the upper and lower edges of the long side frame, close to the module short sides.
- Mounting rail designs should be such to allow easy access to the grounding holes located on the long side of the frame, in order to enable the equipment grounding function when required.
- Place the wire between the flat washer and the cup washer. Ensure that the cup washer is positioned between the frame and the wire with the concave side up to prevent galvanic corrosion. Tighten the bolt securely using the SS toothed nut. A wrench may be used to do this. The tightening torque is 3-7 Nm (2.2-5.2 ft-lbs).
- The system designer and installer are responsible for load calculations and for proper design of support structure.
- The loads described in this manual correspond to test loads. For installations complying with UL 61730 and IEC 61215-2:2016, a safety factor of 1.5 should be applied for calculating the equivalent maximum authorized design loads. Project design loads depend on construction, applicable standards, location and local climate. Determination of the design loads is the responsibility of the racking suppliers and/or professional engineers. For detailed information, please follow local structural code or contact your professional structural engineer.
- Use appropriate corrosion-proof fastening materials. All mounting hardware (bolts, spring washers, flat washers, nuts) should be hot dip galvanized or stainless steel.

6.0 MOUNTING INSTRUCTIONS



The applicable regulations pertaining to work safety, accident prevention and securing the construction site must be observed. Workers and third party personnel shall wear or install fall arrest equipment. Any third party need to be protected against injuries and damages.

- The mounting design must be certified by a registered professional engineer. The mounting design and procedures must comply with all applicable local codes and requirements from all relevant authorities.

- Use a torque wrench for installation.
- Do not drill additional holes or modify the module frame. Doing so will void the warranty.

WHEN CLAMPS ARE USED AS FIXING MATERIAL

- Install and tighten the module clamps to the mounting rails using the torque stated by the mounting hardware manufacturer. System designer and installer are responsible for load calculations and for proper design of support structure. It is recommended to use a torque wrench for installation. Tightening torques must respectively be within 16–20 Nm (11.8–14.75 ft-lbs) for

M8 x 1.25-Grade 8.8 (5/16"-18 Grade B7) galvanized or A2-70 stainless steel coarse thread bolts, depending on bolt class. The yield strength of bolt and nut should not be less than 450 MPa.

- Clamp material should be anodized aluminum alloy or stainless steel of appropriate grades.
- Clamp positions are of crucial importance for the reliability of the installation, the clamp centerline must only be positioned within the authorized position ranges indicated below, depending on the configuration and load.

6.1 MOUNTING METHODS: BOLTING

- The mechanical load test with these mounting methods were performed according to IEC 61215.
- Modules should be bolted to supporting structures through the mounting holes in the rear frame flanges only.
- Each module must be securely fastened at a minimum of 4 points on two opposite sides.
- M8 X 1.25 - Grade 8.8 (5/16"-18 Grade B7) galvanized or A2-70 stainless steel bolt and nut should be used.
- Plain washer size should be M8 with outer diameter 16 mm.
- The yield strength of bolt and nut should not be less than 450MPa.

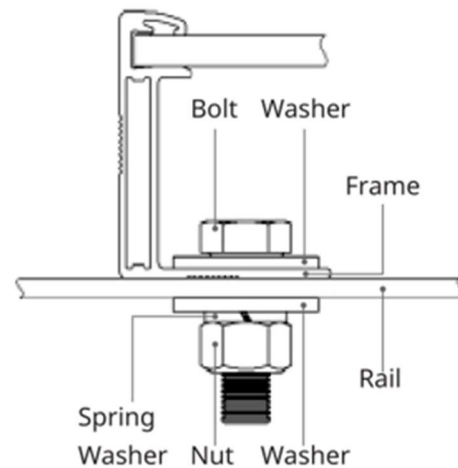
NOTICE

Suitable bolt length should be chosen based on actual module frame height. For double glass module with 30 mm frame height, our recommended maximum bolt length

is 20 mm in order to properly insert the bolts through the mounting hole. The system designer is responsible to check that the racking supplier specified bolt length comply with above requirement and will not affect installation.

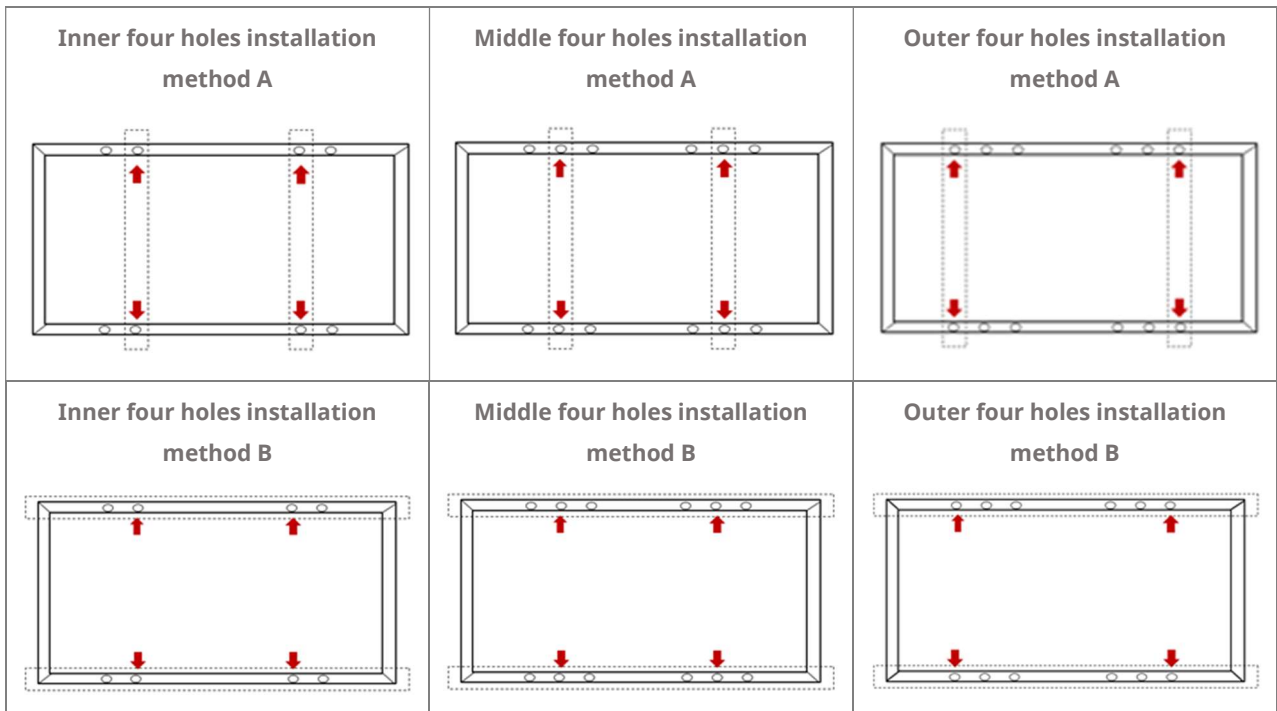
- Tightening torques should be within 16~20 Nm (11.8~14.75 ft-lbs) for M8 (5/16") coarse thread bolts, depending on bolt class.
- In areas with heavy wind loads, additional mounting points should be used. The system designer and the installer are responsible for correctly calculating the loads and ensuring that the supporting structure meets all the applicable requirements.

Mounting method: Bolting



- Modules should be bolted at the following hole locations depending on the configuration and loads:

Table 3: Approved bolting methods



Installation Method Module Types	Inner four holes installation method A	Inner four holes installation method B	Middle four holes installation method A	Middle four holes installation method B	Outer four holes installation method A	Outer four holes installation method B
CS3W-MB-AG/ CS3W-PB-AG	/	/	+5400Pa/ -2400Pa	+3600Pa/ -2400Pa	/	/
CS6R-H-AG/ CS6RA-H-AG	+5400Pa/ -2400Pa	+3600Pa/ -2400Pa	/	/	/	/
CS3Y-MB-AG/ CS3Y-PB-AG	/	/	/	/	+5400Pa/ -2400Pa	+3600Pa/ -2400Pa
CS6W-MB-AG	/	/	/	/	+5400Pa/ -2400Pa	/
CS7N-MB-AG/ CS7L-MB-AG	/	/	/	/	+5400Pa/ -2400Pa	+3600Pa/ -2400Pa
CS6R-MB-AG	+5400Pa/ -2400Pa	+3600Pa/ -2400Pa	/	/	/	/

Note: The installation method of bolt is based on the experimental results, “/” means not tested.

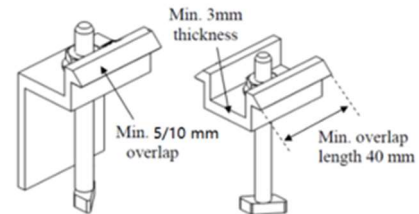
6.2 MOUNTING METHODS: CLAMPING

- The mechanical load test with these mounting methods were performed according to IEC 61215.
- Each module must be securely fastened at a minimum of four points on two opposite sides. The clamps should be positioned symmetrically. The clamps should be positioned according to the authorized position ranges defined in table below. Install and tighten the module clamps to the mounting rails using the torque stated by the mounting hardware manufacturer. M8 X 1.25 - Grade 8.8 (5/16"-18 Grade B7) galvanized or A2-70 stainless steel bolt and nut should be used. The yield strength of bolt and nut should not be less than 450 MPa.
- Tightening torques should be within 16~20 Nm (11.8~14.75 ft-lbs) for M8 (5/16"-18 Grade B7) coarse thread bolts, depending on the bolt class. For the bolt grade, the technical guideline from the fastener suppliers should be followed. Different recommendations from specific clamping hardware suppliers should prevail.
- The system designer and installer are responsible for load calculations and for proper design of support structure.
- The mounting rails shall be designed to limit as much as possible shade on module rear side cells.
- Canadian Solar’s warranty may be void in the cases where improper clamps or unsuitable installation methods are found. When installing inter-modules or end-type clamps, please take the following measures into account:

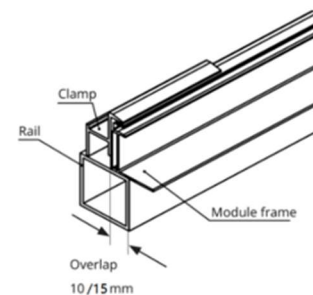
1. Do not bend the module frame.
2. Do not touch or cast shadows on the front glass.
3. Do not damage the surface of the frame (to the exception of the clamps with bonding pins).
4. Ensure the clamps overlap the module frame by at least **10 mm (0.4 in) for CS6W, CS7N and CS7L**, and 5mm (0.2in) for other module series.
5. Overlap in length by at least

- a) 80 mm (3.15 in) when 2400 Pa < uplift load ≤ 4000 Pa is required.
- b) 40 mm (1.57 in) when uplift load ≤ 2400 Pa is required.

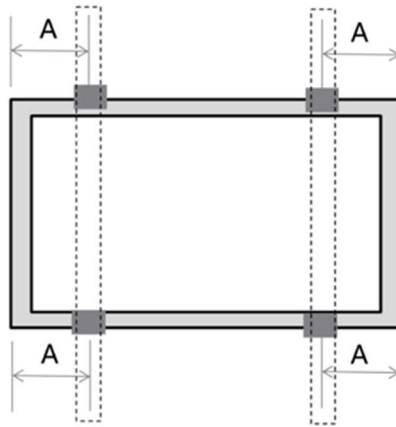
6. Ensure the clamp thickness is at least 3 mm (0.12 in).



- Clamp material should be anodized aluminum alloy or stainless steel.
- Clamp positions are of crucial importance for the reliability of the installation. The clamp centerlines must only be positioned within the ranges indicated in table below, depending on the configuration and load.
- For configurations where the mounting rails run parallel to the frame, precautions should be taken to ensure the bottom flange of the module frame overlaps the rail by at least 15 mm (0.59 in) for CS6W, CS7N and CS7L modules, and 10 mm (0.4 in) for other module series.

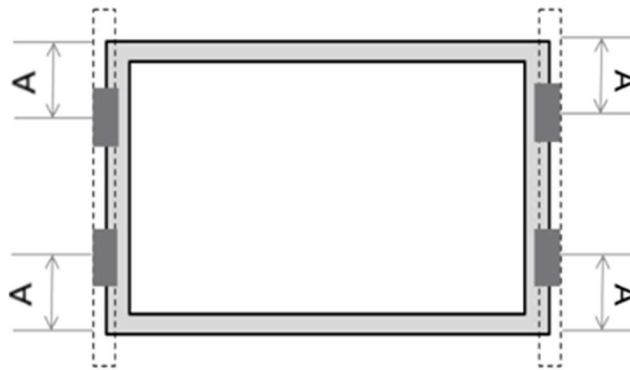


6.2.1 Clamp mounting on long side of frame and rails perpendicular to the long side frame



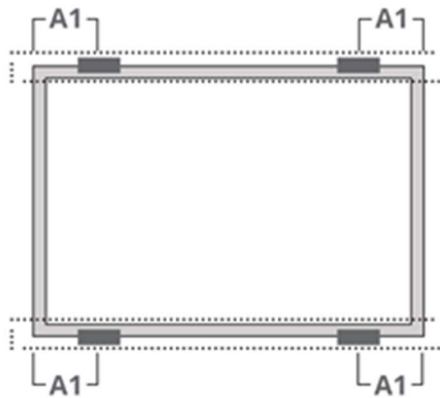
Module Types	Max Mechanical Load (Pa)		
	+3600/-2400	+5400/-2400	+5400/-3600
	A Range (mm)		
CS3W-MB-AG/CS3W-PB-AG	/	/	410-490
CS3Y-MB-AG/CS3Y-PB-AG	300-600	/	400-550
CS6R-H-AG	400-550	/	450-500
CS6RA-H-AG	300-450	/	350-400
CS6W-MB-AG	300-600	400-500	/
CS7N-MB-AG/CS7L-MB-AG	/	400-500	/
CS6R-MB-AG	300-600	/	400-500

6.2.2 Clamp mounting on short side of frame and rails perpendicular to the long side frame.



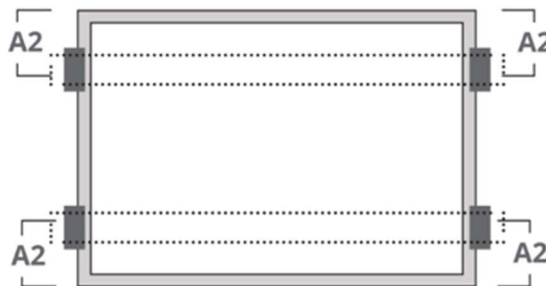
Module Types	A Range (mm)	
	20-200	200-250
	Max Mechanical Load (Pa)	
CS3W-MB-AG/CS3W-PB-AG	+800/-800	+1000/-1000
CS6R-H-AG/CS6RA-H-AG	+2200/-2200	+2400/-2400
CS6R-MB-AG	+2200/-2200	+2400/-2400

6.2.3 Clamp mounting on long side of frame and rails parallel to the long side frame.



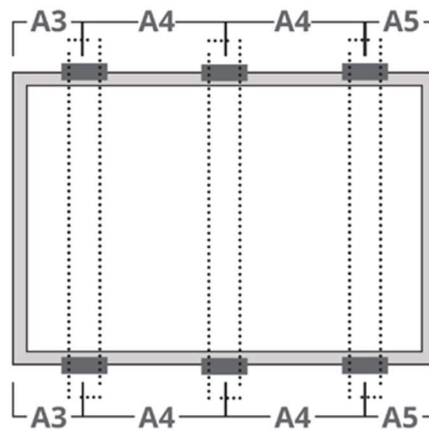
Module Types	Max Mechanical Load (Pa)			
	+3600/-2400	+4000/-3200	+4400/-3200	+4400/-3600
	A1 Range (mm)			
CS3W-MB-AG/ CS3W-PB-AG	/	/	/	410-490
CS3Y-MB-AG/ CS3Y-PB-AG	/	/	400-550	/
CS6W-MB-AG	/	400-500	/	/
CS6RA-H-AG	300-400	/	/	/
CS7N-MB-AG/ CS7L-MB-AG/ CS6R-H-AG	400-500	/	/	/
CS6R-MB-AG	400-500	/	/	/

6.2.4 Four clamps on short side of frame and rails parallel to the long side frame.



Module Types	A2 Range (mm)
	0-200
	Max Mechanical Load (Pa)
CS6R-H-AG/CS6RA-H-AG	+2400/-2400
CS6R-MB-AG	+2400/-2400

6.2.5 Six clamps on long side of frame and rails perpendicularly to the long side frame

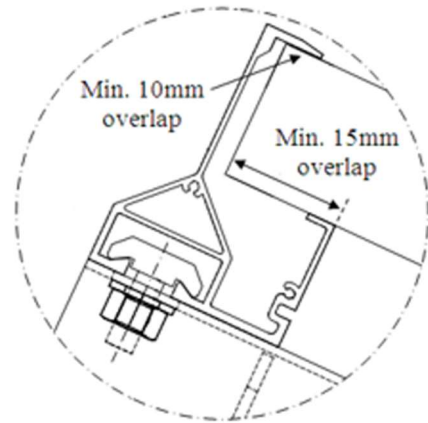


Module Types	Max Mechanical Load (Pa)
	+6000/-3600
	A3 & A5 Range (mm)
CS6RA-H-AG	60-300
CS6R-H-AG	80-380
CS6R-MB-AG	80-380

6.3 INSERTION SYSTEMS

- This mounting method has been certified by VDE and CSA, or qualified by Canadian Solar.
- Insertion methods can vary and depend on the mounting structures. The installer needs to follow the mounting guidelines recommended by the mounting system supplier. Each module must be securely maintained through all its length on two opposite sides. Install and tighten the insertion profiles to the support structure using the hardware and instructions provided by the mounting system manufacturer. The system designer and installer are solely responsible for load calculations and for the proper design of support structure.
- Canadian Solar warranty may be void in cases where improper insertion systems or unsuitable installation methods are found. When installing insertion profiles, please take the following measures into account:
 1. Do not bend the module frame.
 2. Do not touch the front glass or cast shadow onto it.

3. Do not damage the surface of the frame.
4. Ensure that the insertion profiles overlap the module frame by at least 10 mm (0.39 in).
5. Ensure that the module frame (C-shape) overlaps the insertion profiles by at least 15 mm (0.59 in).
6. Ensure insertion profile thickness and tolerances suit module thickness.



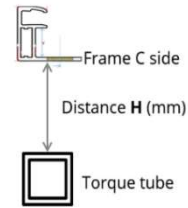
	Insertion Method A	Insertion Method B
	Two insertion profiles run parallel to long side frame.	Two insertion profiles run perpendicularly to long side frame.

Installation Method	Insertion Method A	Insertion Method B
Module Types		
CS6R-H-AG/CS6RA-H-AG	+3600Pa/-2400Pa	+2400Pa/-2400Pa

6.4 MOUNTING METHODS (SINGLE-AXIS TRACKER)

- The bolts and clamps used in this section should follow the requirements in 6.1 and 6.2.
- Under any conditions the junction box should not become in contact with the subjacent racking structure except for the torque tube under high loading. For any single axis tracker installation configured with one module in portrait rows, bearing houses cannot be located under the module junction boxes.
- If any racking structures, especially bearing house, have to be located under the modules, any racking structure

shall not higher than frame C side.



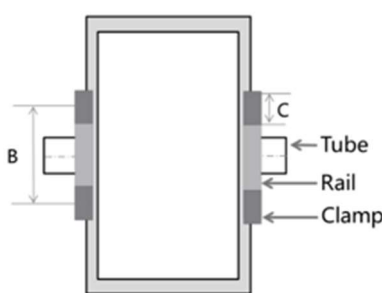
- If your tracker design cannot meet the above distance requirement, please contact Canadian Solar technical support department in writing for advice.

Tracker 1P Bolting method

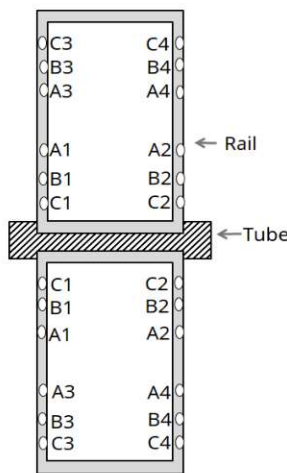
- Install and tighten the module clamps to the mounting rails using the torque stated by the mounting hardware manufacturer. M6 X 1 (1/4") or M8 X 1.25 (5/16") bolt and nut are used for this bolting method.
- Tightening torques should be 6~9 Nm (4.5~6.6 ft-lbs) M6 X 1 (1/4") coarse thread bolts for 10 X 7 mounting hole, depending on bolt class. M8 X 1.25 (5/16") for 14 X 9 mounting hole.

	Module type	Mounting hole space (mm)	Fixed mounting hole location	Plain washer outer diameter (mm)	Distance H (mm)	Test load (Pa)
	CS3W-PB-AG	A1-A3: 400	A1, A2, A3, A4	16	<80	+2400/-2400
	CS3W-MB-AG	B1-B3: 1155	A1, A2, A3, A4 B1, B2, B3, B4	16	≥80	+3000/-2800
	CS3Y-PB-AG	A1-A3: 400	A1, A2, A3, A4	16	<80	+2400/-1800
	CS3Y-MB-AG	B1-B3: 790	A1, A2, A3, A4 B1, B2, B3, B4	16	≥80	+2800/-2800
	CS6W-MB-AG	A1-A3: 400 B1-B3: 790	A1, A2, A3, A4	16	<80	+2000/-1800
			B1, B2, B3, B4	16	≥80	+2400/-2200
	CS7L-MB-AG	A1-A3: 400 B1-B3: 790	A1, A2, A3, A4	16	<80	+2100/-1900
			B1, B2, B3, B4	16	≥80	+2500/-1900
	CS7N-MB-AG	A1-A3: 400 B1-B3: 790	A1, A2, A3, A4	16	<80	+2100/-1900
			B1, B2, B3, B4	16	≥80	+2300/-1900

Tracker 1P Clamping method

 <p>Overlap width between clamp and frame: Frame top side ≥ 10 mm Frame bottom side ≥ 15 mm</p>	Module type	B Value (mm)	Clamp length C (mm)	Test load (Pa)
	CS3W-PB-AG CS3W-MB-AG	≥400	≥40	+2400/-1800
			≥80	+2400/-2400
	CS3Y-MB-AG CS3Y-PB-AG CS6W-MB-AG	≥400	≥40	+1800/-1800
	CS7L-MB-AG	≥400	≥40	+1600/-1600
	CS7N-MB-AG	≥400	≥40	+1500/-1500

Tracker 2P Bolting method

	Module type	Mounting hole space (mm)	Mounting hole location	Plain washer outer diameter (mm)	Test load (Pa)
	CS3W-PB-AG CS3W-MB-AG	A1-A3: 400	B1, B2, A3, A4	16	+1800/-1600
		B1-B3: 1155			
	CS3Y-MB-AG CS3Y-PB-AG CS6W-MB-AG	A1-A3: 400 B1-B3: 790	B1, B2, A3, A4	16	+1800/-1600
			B1, B2, B3, B4	16	+2200/-2000

- The allowable maximum twist angle of the module is 0.5 degree.
- Please contact the tracker manufacturer and Canadian Solar’s technical support department for details in regard to specific projects.
- Please verify the approved loads in the table with the racking suppliers.

7.0 MAINTENANCE

- **Do not** make modifications to any component of the PV module (diode, junction box, connectors or others).
- Regular maintenance is required to keep modules clear of snow, bird droppings, seeds, pollen, leaves, branches, dirt spots, and dust.
- Modules with sufficient tilt (at least 15°), generally may not require cleaning (rain will have a self-cleaning effect). If the module has become soiled, wash with water and a non-abrasive cleaning implement (sponge) during the cool part of the day. Do not scrape or rub dry dirt away, as this may cause micro scratches.
- Snow should be removed using a soft brush.
- Periodically inspect the system to check the integrity of all wiring and supports.
- To protect against electric shock or injury, electrical or mechanical inspections and maintenance should be performed by qualified personnel only.

8.0 Module Cleaning Guidelines

This manual covers the requirements for the cleaning procedure of Canadian Solar double glass photovoltaic modules. The purpose of these cleaning guidelines is to provide general information for cleaning Canadian Solar modules. System users and professional installers should read these guidelines carefully and strictly follow these instructions.

Failure to follow these instructions may result in death, injury or damage to the photovoltaic modules. Damages induced by inappropriate cleaning procedures will void Canadian Solar warranty.



SAFETY WARNING

- Cleaning activities create a risk of damaging the modules and array components, as well as increasing the potential electric shock hazard.
- Cracked or broken modules represent an electric shock hazard due to leakage currents, and the risk of shock is increased when modules are wet. Before cleaning,

thoroughly inspect modules for cracks, damage, and loose connections.

- The voltage and current present in an array during daylight hours are sufficient to cause a lethal electrical shock.
- Ensure that the circuit is disconnected before starting the cleaning procedure as contact with leakage of electrically active parts can result in injury.
- Ensure that the array has been disconnected to other active components (such as inverter or combiner boxes) before starting with the cleaning.
- Wear suitable protection (clothes, insulated gloves, etc.).
- **Do not** immerse the module, partially or totally, in water or any other cleaning solution.
- Rear side cleaning of the modules is not required, if cleaning the rear of a module is desired, care should be taken to ensure there is no damage caused to the module by simply clearing the contaminant by hand or with a soft sponge.

HANDLING NOTICE

NOTICE

- Use a proper cleaning solution and suitable cleaning equipment.
- **Do not** use abrasive or electric cleaners on the module.
- Particular attention should be taken to avoid the module rear glass or frame to come in contact with sharp objects, as scratches may directly affect product safety.
- **Do not** use abrasive cleaners, de-greasers or any unauthorized chemical substance (e.g. oil, lubricant, pesticide, etc.) on the module.
- **Do not** use cleaning corrosive solutions containing hydrofluoric acid, alkali, acetone, or industrial alcohol. Only substances explicitly approved by Canadian Solar are allowed to be used for cleaning modules.
- For cleaning methods using rotating brush, please consult with Canadian Solar's technical support before using.

- Dirt must never be scraped or rubbed away when dry, as this will cause micro-scratches on the glass surface.

OPERATION PREPARATION

- Noticeable dirt must be rubbed away by gentle cleaning implement (soft cloth, sponge or brush with soft bristles).
- Ensure that brushes or agitating tools are not abrasive to glass, EPDM, silicone, aluminum, or steel.
- Conduct the cleaning activities avoiding the hottest hours of the day, in order to avoid thermal stress on the module.

CLEANING METHODS

Method A: Compressed Air

Canadian Solar recommends cleaning the soft dirt (like dust) on modules just with air pressure. This technique can be applied as long as the method is efficient enough considering the existing conditions.

Method B: Wet cleaning

If excessive soiling is present on the module surface, a non-conductive brush, sponge, or other mild agitating method may be used with caution.

- Ensure that any brushes or agitating tools are constructed with non-conductive materials to minimize risk of electric shock and that they are not abrasive to the glass or the aluminum frame.
- If grease is present, an environmentally friendly cleaning agent may be used with caution.
- Canadian Solar recommends the following to be used:
 - Water with low mineral content
 - Near neutral pH water
 - The maximum water pressure recommended is 4 MPa (40 bar)

ANNEX A: MECHANICAL AND ELECTRICAL RATINGS

Standard Test Conditions are: irradiance of 1000 W/m², AM1.5 spectrum, and cell temperature of 25°C. The tolerance of electrical characteristics is respectively within ±3% for Pmax, and ±5% for Isc & Voc. Specifications are subject to change without notice.

Table A: Mechanical and electrical ratings under STC

Model Type	Maximum power Pmax <W>	Operating voltage Vmp <V>	Operating current Imp <A>	Open Circuit Voltage Voc <V>	Short Circuit Current Isc <A>	Max. Series Fuse Rating <A>	Overall Dimensions <mm>	Weight <Kg>
CS3W-380PB-AG	380	37.9	10.03	46.4	10.58	25	2132 x 1048 x 30 (83.9 x 41.3 x 1.18 in)	28.2 (62.2 lbs)
CS3W-385PB-AG	385	38.1	10.11	46.6	10.66	25		
CS3W-390PB-AG	390	38.3	10.19	46.8	10.74	25		
CS3W-395PB-AG	395	38.5	10.26	47.0	10.82	25		
CS3W-400PB-AG	400	38.7	10.34	47.2	10.9	25		
CS3W-405PB-AG	405	38.9	10.42	47.4	10.98	25		
CS3W-410PB-AG	410	39.1	10.49	47.6	11.06	25		
CS3W-415PB-AG	415	39.3	10.56	47.8	11.14	25		
CS3W-420PB-AG	420	39.5	10.64	48.0	11.26	25		
CS3W-425PB-AG	425	39.7	10.71	48.2	11.29	25		
CS3W-430PB-AG	430	39.9	10.78	48.4	11.32	25		
CS3W-435PB-AG	435	40.1	10.85	48.6	11.35	25		
CS3W-440PB-AG	440	40.3	10.92	48.7	11.40	25		
CS3W-445PB-AG	445	40.5	10.99	48.8	11.45	25		
CS3W-415MB-AG	415	39.7	10.46	47.7	11.22	25	2132 x 1048 x 30 (83.9 x 41.3 x 1.18 in)	28.4 (62.6 lbs)
CS3W-420MB-AG	420	39.9	10.53	47.9	11.27	25		
CS3W-425MB-AG	425	40.1	10.60	48.1	11.32	25		
CS3W-430MB-AG	430	40.3	10.68	48.3	11.37	25		
CS3W-435MB-AG	435	40.5	10.75	48.5	11.42	25		
CS3W-440MB-AG	440	40.7	10.82	48.7	11.48	25		
CS3W-445MB-AG	445	40.9	10.89	48.9	11.54	25		
CS3W-450MB-AG	450	41.1	10.96	49.1	11.60	25		
CS3W-455MB-AG	455	41.3	11.02	49.3	11.66	25		
CS3W-460MB-AG	460	41.5	11.09	49.5	11.72	25		
CS3W-465MB-AG	465	41.7	11.16	49.7	11.78	25	2260 x 1048 x 32 (89.0 x 41.3 x 1.26 in)	29.9 (65.9 lbs)
CS3Y-465MB-AG	465	43.6	10.67	52.3	11.42	25		
CS3Y-470MB-AG	470	43.8	10.74	52.5	11.47	25		
CS3Y-475MB-AG	475	44.0	10.81	52.7	11.52	25		
CS3Y-480MB-AG	480	44.2	10.87	52.9	11.57	25		
CS3Y-485MB-AG	485	44.4	10.94	53.1	11.62	25		

Model Type	Maximum power Pmax <W>	Operating voltage Vmp <V>	Operating current Imp <A>	Open Circuit Voltage Voc <V>	Short Circuit Current Isc <A>	Max. Series Fuse Rating <A>	Overall Dimensions <mm>	Weight <Kg>
CS3Y-490MB-AG	490	44.6	11.00	53.3	11.67	25		
CS3Y-430PB-AG	430	41.6	10.34	50.8	11.08	25	2260 x 1048 x 32 (89.0 x 41.3 x 1.26 in)	29.9 (65.9 lbs)
CS3Y-435PB-AG	435	41.8	10.41	51.0	11.13	25		
CS3Y-440PB-AG	440	42.0	10.48	51.2	11.18	25		
CS3Y-445PB-AG	445	42.2	10.55	51.4	11.23	25		
CS3Y-450PB-AG	450	42.4	10.62	51.6	11.28	25		
CS3Y-455PB-AG	455	42.6	10.69	51.8	11.33	25		
CS3Y-460PB-AG	460	42.8	10.75	52.0	11.38	25		
CS3Y-465PB-AG	465	43.0	10.82	52.2	11.43	25		
CS3Y-470PB-AG	470	43.2	10.88	52.4	11.48	25		
CS3Y-475PB-AG	475	43.4	10.95	52.6	11.53	25		
CS6RA-320H-AG	320	26.2	12.33	31.1	13.23	25	1352 x 1134 x 30 (53.2 x 44.6 x 1.18 in)	18.9 (41.7 lbs)
CS6RA-325H-AG	325	26.3	12.43	31.2	13.28	25		
CS6RA-330H-AG	330	26.5	12.53	31.2	13.33	25		
CS6RA-335H-AG	335	26.6	12.63	31.2	13.38	25		
CS6RA-340H-AG	340	26.8	12.73	31.3	13.43	25		
CS6RA-345H-AG	345	26.9	12.83	31.3	13.48	25		
CS6R-415H-AG	415	33.6	12.34	40.0	13.23	25	1722 x 1134 x 30 (67.8 x 44.6 x 1.18 in)	23.0 (50.7 lbs)
CS6R-420H-AG	420	33.7	12.48	40.1	13.28	25		
CS6R-425H-AG	425	33.7	12.62	40.1	13.33	25		
CS6R-430H-AG	430	33.8	12.76	40.1	13.38	25		
CS6R-435H-AG	435	33.8	12.89	40.2	13.43	25		
CS6R-440H-AG	440	33.9	13.02	40.2	13.48	25		
CS6R-390MB-AG	390	30.4	12.84	36.4	13.70	30	1722 x 1134 x 35 (67.8 x 44.6 x 1.38 in)	24.2 (53.4 lbs)
CS6R-395MB-AG	395	30.6	12.91	36.6	13.77	30		
CS6R-400MB-AG	400	30.8	12.99	36.8	13.85	30		
CS6R-405MB-AG	405	31.0	13.07	37.0	13.93	30		
CS6R-410MB-AG	410	31.2	13.15	37.2	14.01	30		
CS6R-415MB-AG	415	31.4	13.23	37.4	14.09	30		
CS6W-510MB-AG	510	40.1	12.72	48.0	13.60	30	2266 x 1134 x 35 (89.2 x 44.6 x 1.38 in)	32.3 (71.0 lbs)
CS6W-515MB-AG	515	40.3	12.78	48.2	13.65	30		
CS6W-520MB-AG	520	40.5	12.84	48.4	13.70	30		
CS6W-525MB-AG	525	40.7	12.90	48.6	13.75	30		
CS6W-530MB-AG	530	40.9	12.96	48.8	13.80	30		
CS6W-535MB-AG	535	41.1	13.02	49.0	13.85	30		

Model Type	Maximum power Pmax <W>	Operating voltage Vmp <V>	Operating current Imp <A>	Open Circuit Voltage Voc <V>	Short Circuit Current Isc <A>	Max. Series Fuse Rating <A>	Overall Dimensions <mm>	Weight <Kg>
CS6W-540MB-AG	540	41.3	13.08	49.2	13.90	30		
CS6W-545MB-AG	545	41.5	13.14	49.4	13.95	30		
CS6W-550MB-AG	550	41.7	13.20	49.6	14.00	30		
CS6W-555MB-AG	555	41.9	13.25	49.8	14.05	30		
CS7L-570MB-AG	570	33.7	16.93	40.1	18.17	35	2172 x 1303 x 35 (85.5 x 51.3 x 1.38 in)	34.6 (76.3 lbs)
CS7L-575MB-AG	575	33.9	16.97	40.3	18.22	35		
CS7L-580MB-AG	580	34.1	17.02	40.5	18.27	35		
CS7L-585MB-AG	585	34.3	17.06	40.7	18.32	35		
CS7L-590MB-AG	590	34.5	17.11	40.9	18.37	35		
CS7L-595MB-AG	595	34.7	17.15	41.1	18.42	35		
CS7L-600MB-AG	600	34.9	17.20	41.3	18.47	35		
CS7L-605MB-AG	605	35.1	17.25	41.5	18.52	35		
CS7L-610MB-AG	610	35.3	17.29	41.7	18.57	35		
CS7N-630MB-AG	630	37.1	16.99	44.2	18.23	35		
CS7N-635MB-AG	635	37.3	17.03	44.4	18.27	35		
CS7N-640MB-AG	640	37.5	17.07	44.6	18.31	35		
CS7N-645MB-AG	645	37.7	17.11	44.8	18.35	35		
CS7N-650MB-AG	650	37.9	17.16	45.0	18.39	35		
CS7N-655MB-AG	655	38.1	17.20	45.2	18.43	35		
CS7N-660MB-AG	660	38.3	17.24	45.4	18.47	35		
CS7N-665MB-AG	665	38.5	17.28	45.6	18.51	35		
CS7N-670MB-AG	670	38.7	17.32	45.8	18.55	35		

ANNEX B: GUIDANCE ON MODULE TEMPERATURE FOR SEVERAL LOCATIONS

- The operational temperature of a PV module changes during the day and also from day to day throughout the year. The 98th-percentile temperature represents the temperature that is larger than 98% of all the temperatures, and consequently it is met or exceeded only 2% of the time.
- The 98th-percentile temperature is to be determined from measurements taken on hourly-basis, or even more frequently. For a standard year, the 98th-percentile temperature would be met or exceeded 175.2 hours.
- The operational module temperature is influenced by the environmental temperature but also by how the module is installed (e.g. mounting distance to rooftop, array size, array spacing and anti-nesting features), as it may allow a more efficient ventilation. The graphics below from IEC 63126 show this influence, the maps presented here are a general guidance and assumed conservative, please contact your local sales representative for further information.
- For Open-rack it can be seen how the 70°C are never exceeded in any of the locations, while for parallel to the roof mounted modules (not in-roof) this value can be surpassed for some locations.

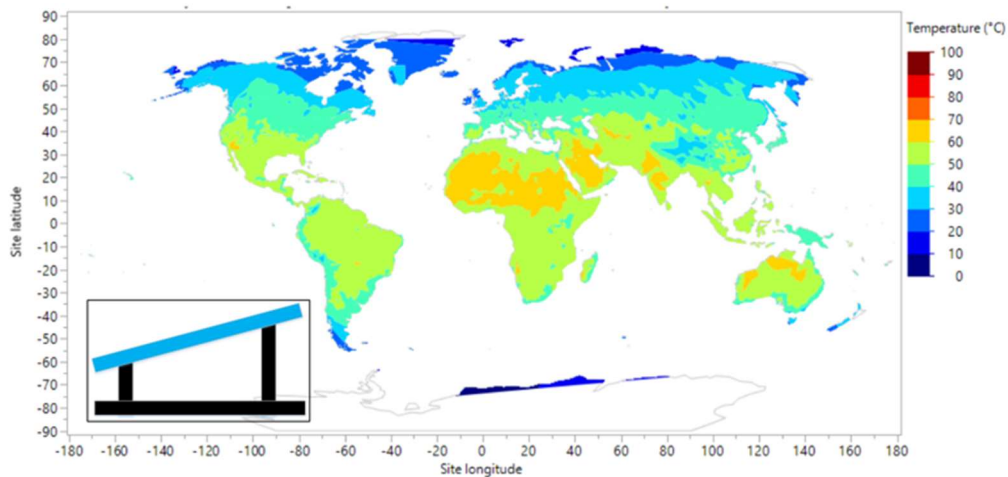


Figure B.1 – 98th-percentile temperature for an open-rack, or thermally unrestricted

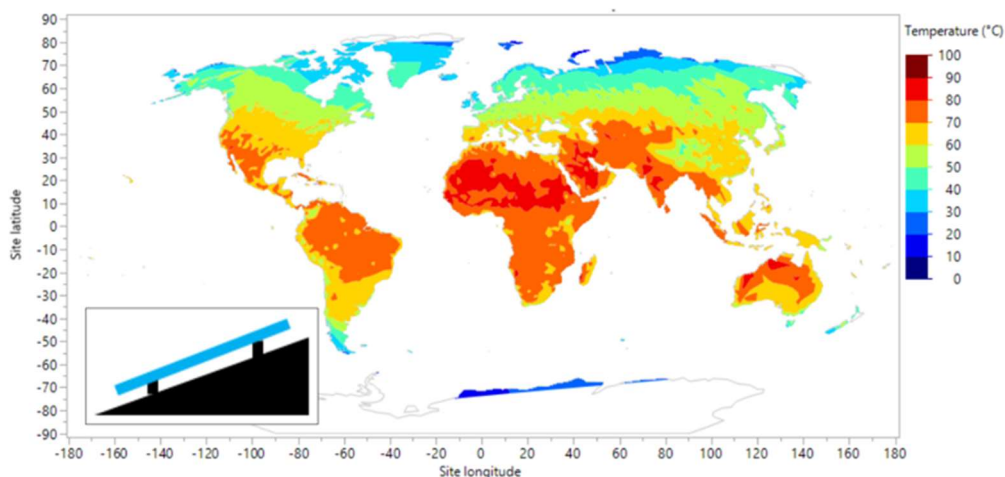


Figure B.2 – 98th-percentile temperature for a close-roof mounted

ANNEX C: COASTAL AREA ANTI-CORROSION INSTALLATION GUIDELINES

C.1.0: GENERAL INFORMATION

- According to the specific conditions stipulated in the Canadian Solar installation manual and general warranty statement, Canadian Solar PV modules are not allowed install in coastal areas. Coastal areas state that the places located within 100m of the defined coastline.
- This annex has been created to facilitate approval for customer PV installations located within 20 m and 100 m of the coastline. It lays down general requirements to ensure that Canadian Solar PV modules are installed properly and reliably in coastal areas, which include but are not limited to relevant anti-corrosion principles for both the modules and associated mounting systems. This annex summarizes the key technical requirements stipulated by well-known international standards and explains how they apply to photovoltaic systems.

- Please read this annex carefully and strictly follow any relevant instructions prior to installing Canadian Solar modules in coastal areas. Failure to follow these instructions and other general anti-corrosion principles may result in corrosion damage to the photovoltaic modules and/or their racking systems, and will void the Canadian Solar limited product and performance warranty. For further inquiries, please contact our customer service department or our local representatives for more information.
- The reliability of photovoltaic modules strongly depends on their distance from the coastline. Different coastal land areas are defined according to how far away from the coastline they are; Canadian Solar generally classifies seashore PV installations according to four different groups:

Distance from the coastline (X: meters)	Requirements
$X \leq 20$ m	Installations are strictly prohibited by Canadian Solar due to concerns over salt-mist corrosion.
$20\text{m} < X \leq 100$ m	Installations must comprise Canadian Solar "special-anti-corrosion" modules. These installations must comply with the instructions listed under sections C.2.1/C.2.2/C.2.3/C3.0.
$100\text{m} < X \leq 500$ m	Installation of Canadian Solar "special-anti-corrosion" modules is recommended. It is recommended to follow the instructions listed under sections C.2.1/C.2.2/C.2.3/C3.0.
> 500 m	Please follow section 7.0

- Local conditions strongly influence the salt deposition rate, which is particularly, but not exclusively, dependent on specific regions and local wind patterns. Canadian Solar reserves the right to adapt the above definition to individual cases. Please contact your local representative to confirm which category your PV system falls under.
- The word "coastline" in this manual refers to the area

where the land meets the sea during high tide.

- In this manual, "distance to the coastline" refers to the shortest distance between the photovoltaic module array and the coastline.
- Please consult the Canadian Solar technical support department or your local representative for more information on installing "special anti-corrosion" modules.

C.2.1: GENERAL ANTI-CORROSION METHODS

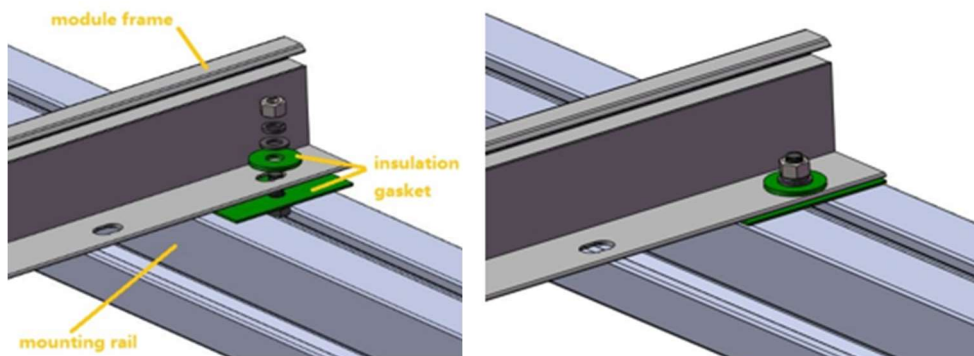
- Do not scratch or break the corrosion-resistant coating on the modules or mounting systems during installation.
- Do not change the structure of the module, i.e. by drilling holes into the module frame.
- Process specifications for the different components must comply with relevant international anti-corrosion standards.
- All general requirements listed in the Canadian Solar standard manual should be applied when installing “special-anti-corrosion” modules.

C.2.2: SPECIAL ANTI-CORROSION METHODS FOR MOUNTING

- Use mounting components that contain the same

metals or metals with a similar electrochemical potential. The metal’s coating also should be taken into account. There may be a big difference between the electrochemical potentials of two different coating materials.

- If mounting components consist of two metals with a big difference in electrochemical potential, please add insulating washers (e.g. bi-metallic washers or insulation gaskets) to isolate the metals from each other.
- Copper/aluminum bi-metallic washers are commonly available to prevent electrochemical corrosion. These washers are made in a process called explosion welding.
- Concerning insulation gaskets, we recommend mica laminate, or other silicone or fluoride-based insulating materials.

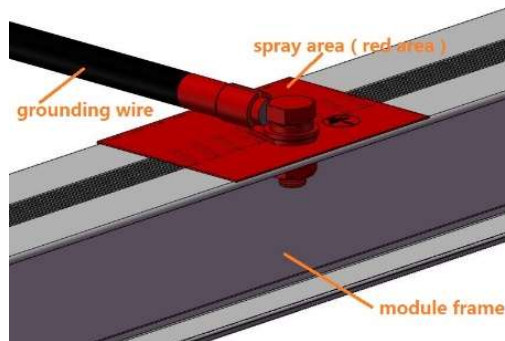


C.2.3: ANTI-CORROSION METHODS FOR GROUNDING

- We recommend two special anti-corrosion methods for protecting the system’s grounding devices. Please refer to the instructions in the table below:

Item	Method A	Method B
Coating components	Fluorocarbon varnish (one layer)	Layer 1 (metal side): epoxy zinc rich primer Layer 2 (middle layer): fluorocarbon finish paint Layer 3 (air side): fluorocarbon varnish
Coating thickness	40 µm	Layer 1 (metal side): 40 µm Layer 2 (middle layer): 40 µm Layer 3 (air side): 40 µm

Painting interval	/	Follow the supplier’s general requirements when painting the three coating layers. Apply the middle layer 24 hours after painting layer 1. Paint the air side layer 6 hours later after painting the middle layer.
General requirements	<p>Clean the grounding components and make sure that they are dry and clean. The coating must cover all of the grounding components and junction areas of the module frame or mounting system. Please refer to the figure below for more details.</p> <p>The coating should be applied in a dry atmosphere (at least 24 hours) under the following conditions: relative humidity $RH \leq 75\%$, ambient temperature $T > 5^{\circ}C$.</p>	
Maintenance period	Three months	Five years



C.3.0: ANTI-CORROSION SUGGESTIONS FOR THE RACKING SYSTEM

• Suggestions for the racking system are provided below. The warranty does not cover the damage to the mounting system caused by corrosion if the mounting system is not provided by Canadian Solar. The requirements below apply to two main mounting systems: aluminum alloy-based racking for rooftops and galvanized steel-based structures for ground-mounted solar farms. To prevent salt-mist corrosion, Canadian Solar requires strict compliance with the following principles:

- Use approved corrosion-resistant materials (e.g. stainless steel SUS 316 or carbon steel with a hot-dip galvanized coating) for any racking or BOS components used in coastal areas.
- Process specifications for the different components must comply with relevant international anti-corrosion standards.
- Minimum coating thicknesses for hot-dip galvanized and anodizing oxide components must comply with the standard minimum requirements stipulated in JIS8641 and JIS8601.

Process	Minimum coating thickness	Standard
Hot-dip galvanizing (carbon steel)	HDZ55 (76um)	ISO 1461 JIS8641
Anodizing oxide (aluminum alloy)	AA20 (20um)	ISO 7599 JIS8601

• Use mounting components that contain the same metals or metals with a similar electrochemical

potential. The metal’s coating should also be taken into account. There may be a big difference between the

electrochemical potentials of two different coating materials.

C.4.0: Precautions and General Safety



- Before installing any modules, contact the appropriate authorities to obtain any relevant approvals and learn of any site, installation and inspection requirements.
- When applying coating materials, workers must follow applicable health and safety legislation and apply all respective preventive and proactive measures

described within.

C.5.0: LIMITATION OF LIABILITY

- Canadian Solar shall not be held responsible for damages of any kind, including, but not limited to, bodily harm, injury and damage to property as a result of handling modules, installing systems, or compliance or non-compliance with the instructions set forth in this manual.

AMENDED EDITIONS AND DATES

- Rev 1.2 is released in June, 2019.
- Rev 1.21 is released in July, 2019.
- Rev 1.3 is released in September, 2019.
- Rev 1.4 is released in December, 2019.
- Rev 1.4 is released in December, 2019.
- Rev 1.5 is released in April, 2020.
- Rev 1.6 is released in May, 2020.
- Rev 1.7 is released in December, 2020.
- Rev 1.71 is released in December, 2020.
- Rev 1.8 is released in March, 2021.
- Rev 1.9 is released in June, 2021.
- Rev 1.91 is released in June, 2021.
- Rev 1.92 is released in July, 2021.
- Rev 1.93 is released in August, 2021.
- Rev 2.0 is released in September, 2021.
- Rev 2.01 is released in February, 2022.
- Rev 2.1 is released in April, 2022.

CSI Solar Co., Ltd.

199 Lushan Road, SND, Suzhou, Jiangsu, China, 215129

www.csisolar.com