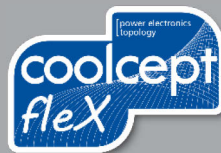


coolcept fleX

Installation and operating instructions



Preface

Thank you for choosing inverters of the *coolcept fleX* product family of Steca Elektronik GmbH. Through the use of solar energy, you significantly help to protect the environment by reducing the pollution of the atmosphere by the emissions of carbon dioxide (CO₂) and other harmful gases.

All rights reserved, including those for the translation. No part of this manual may be reproduced in any form without our written consent, nor processed by means of electronic systems.

Manufacturer: Steca Elektronik GmbH
Mammostrasse 1
87700 Memmingen, Germany
www.steca.com

Phone: 49 (0) 8331 85 58-0
Fax: 49 (0) 8331 85 58-131

Edition: Z02 | March 2019

Table of contents

1	General information	5
1.1	Accessories	5
1.2	Documents	5
1.3	Liability, warranty	5
1.4	Contact	5
1.5	Monitoring portal.....	5
1.6	EU Declaration of Conformity	5
2	Abbreviations	6
3	Safety	6
3.1	Designated use.....	6
3.2	Target group.....	7
3.3	General safety instructions	7
3.4	Labels and symbols	8
3.4.1	Safety marks.....	8
3.4.2	Keywords.....	8
3.4.3	Signs, labels and safety marks on the device.....	9
4	Description	10
4.1	Scope of delivery	10
4.2	Structure of the device.....	10
4.3	Connections.....	11
4.4	Exemplary connection	11
4.5	Connections, communication, and DC/AC.....	11
4.6	Connection cables	12
4.7	Display	12
4.8	Cooling	12
4.9	Grid monitoring	12
4.10	Data communication	13
4.10.1	"COM1" and "COM2"	13
4.10.2	Modbus RTU data connecting cable.....	13
4.10.3	Alternative RS485 data connecting cable	14
4.10.4	LAN.....	14
4.11	Connection peculiarities.....	14
4.12	Data display.....	14
4.12.1	Data storage	15
5	Installation	15
5.1	Safety instructions for assembly and installation	15
5.2	Mounting the inverter.....	17
5.3	Preparing AC connection.....	17
5.3.1	Residual current circuit breaker	17
5.3.2	AC cables	18

5.3.3	Assembling the AC plug	18
5.3.3.1	Preparing cables.....	19
5.3.3.2	Fitting cable to AC plug.....	19
5.4	Preparing DC connection.....	21
5.5	Connecting inverter and switching AC on.....	22
6	Dismounting the inverter	23
6.1	Switching AC and DC off	23
6.2	Opening the AC plug	24
6.3	Removing inverter from mounting plate	24
7	Initial commissioning.....	24
7.1	Performing initial commissioning	24
7.2	Finishing the initial commissioning.....	24
7.3	Setting the feed-in management.....	25
7.3.1	Connecting energy meter	25
7.3.2	Selecting an energy meter.....	25
7.3.3	Limiting the dynamic feed-in value.....	25
7.4	Switching DC on	25
8	Operation	26
8.1	Operating buttons	26
8.2	Functions of the operating buttons.....	26
8.3	Menu structure.....	28
8.4	Navigating the menu structure.....	28
9	Faults	29
9.1	Event message type	29
10	Maintenance and care.....	30
11	Disposal.....	30
12	Technical data	30
12.1	StecaGrid 1511, 2011, 2511, 3011 and 3611	30
12.2	StecaGrid 3011_2, 3611_2 and 4611_2.....	32

1 General information

These instructions contain information for the safe use of the inverter and all the information that a specialist needs for setting up, and the operator needs for operating the inverter.

The coolcept fleX inverters are available in various models for different power classes. The StecaGrid ##### inverters are suitable for the connection to one PV generator. The StecaGrid #####_2 inverters are suitable for the connection to two PV generators.

The coolcept fleX inverters are available in the following models:

- StecaGrid 1511
- StecaGrid 2011
- StecaGrid 2511
- StecaGrid 3011
- StecaGrid 3611
- StecaGrid 3011_2
- StecaGrid 3611_2
- StecaGrid 4611_2

1.1 Accessories

Ask for possible accessories, options, suitable PV generators, and installation material at the installer's or at Steca.

1.2 Documents

Data sheets, drawings, country tables, and certificates are available in the download area of the Steca homepage.

1.3 Liability, warranty

The conditions for the device are available for downloading on the Steca homepage: <http://www.steca.com/pv-grid/warranties>.

1.4 Contact

In the event of complaints or faults, please contact your local dealer, where you purchased the product. He will assist you in all respects.

Contact in Europe:

Steca Elektronik GmbH

Mammostrasse 1

87700 Memmingen

Germany

Web: www.steca.com

Phone: +49 (0) 8331 8558-833

+49 700 STECAGRID

Fax: +49 (0) 8331 8558-132

1.5 Monitoring portal

Steca's monitoring portal sunCloud offers online monitoring of the PV system at no charge: <https://steca.powerdoo.com>

1.6 EU Declaration of Conformity

The products described in this document comply with the applicable European directives. The certificate is available in the download area of our homepage.

2 Abbreviations

Abbreviation	Description
AC	Alternating Current
DC	Direct Current
LAN	Local Area Network
MPP	Maximum Power Point
MPP tracker	Regulates the power of the connected module strings to the MPP
PV	Photovoltaics (technology for the conversion of solar energy into electrical energy)
RTU	Remote Terminal Unit
SELV	Safety Extra Low Voltage
TCP/IP	Transmission Control Protocol/Internet Protocol

3 Safety

3.1 Designated use

The coolcept fleX inverters are intended for single-phase feed-in and are suitable for indoor and outdoor installation on a wall.

Only use the inverter:

- for grid-connected PV generators.
- for PV generators whose connections are not grounded.
- for solar modules with Class A rating in accordance with IEC 61730 because the inverter does not have any galvanic isolation.
- when the maximum permissible system voltage of the PV generator is higher than the AC grid voltage.



NOTE

Only for Australia: the inverter may only be operated as a single device. It is not permitted to interconnect several devices.



NOTE

Only for Italy: information about the particularities for the use in Italy have been added as an appendix to the Italian version of these instructions.

3.2 Target group

Unless otherwise noted, the target group for these instructions are specialists and operators. The following persons are considered specialists:

- Persons that have knowledge of the established terms and skills for setting up and operating PV generators.
- Persons that due to their knowledge and experience are able to evaluate the following tasks and recognise possible hazards:
 - Mounting electrical equipment
 - Assembling and connecting data cables
 - Assembling and connecting power supply cables

3.3 General safety instructions

- This document must be kept to hand at the site of use of the inverter.
In case of a change of ownership pass on the document with the inverter.
- This document must have been read and understood in full before installing and using the inverter.
- Do not commission the inverter before a shut-down control or overcurrent protective device has been installed.
- Incorrectly connected components may cause damage to the inverter.
- If one of the following components is damaged, immediately take the inverter out of operation and disconnect it from the grid and the PV generators:
 - Inverter (not functioning, visible damage, smoke, penetration of liquid etc.)
 - Cables
 - PV generators
- Do not switch on the system again until it has been repaired and checked by a suitably qualified and authorised technical specialist.
- Dangerous voltages may be present for up to 10 minutes after disconnecting the inverter from the voltage sources.
- Disconnect inverter from both voltage sources (power grid and PV generator) prior to any work on the inverter.
- Always carry out the measures described in this document in the specified sequence.
- Do not change nor remove any factory-applied labels on the inverter.
- Do not open the inverter. Danger to life! Opening the inverter will also void any warranty.
- Do not cover the inverter.
- Keep children away from the inverter.
- Follow the instructions of manufacturers of the connected components.
- Follow the general and national safety and accident prevention regulations.







Due to its design, the inverter cannot generate a feed-in current.

3.4 Labels and symbols

3.4.1 Safety marks

The following safety marks are used on the inverter and in these instructions:

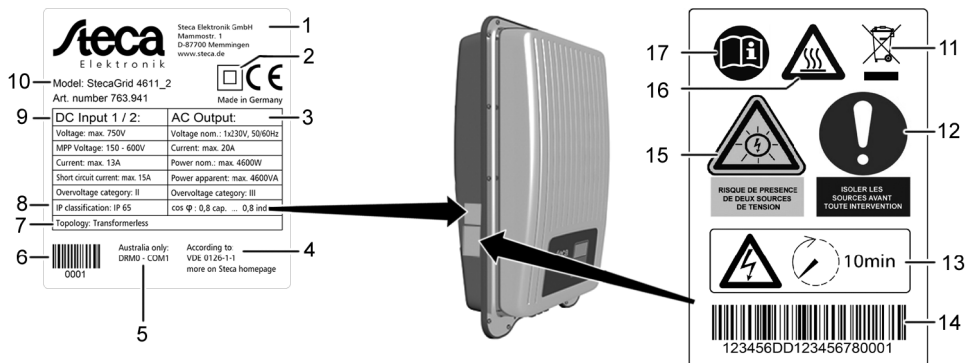
Warning sign	Nature of the danger
	Warning of hazardous voltage
	Warning of hazardous area
	Warning of hot surface
	Disposal information (separate collection of electrical and electronic equipment)

3.4.2 Keywords

The following keywords are used in these instructions:

Keyword	Meaning
DANGER	Indicates a hazardous situation which, if not avoided, leads to death or serious injuries.
WARNING	Indicates a potentially hazardous situation which, if not avoided, may lead to death or serious injuries.
NOTE	Indicates a potentially hazardous situation which, if not avoided, may lead to damage to property and/or the environment.

3.4.3 Signs, labels and safety marks on the device



- 1 Manufacturer address
- 2 "Protection Class II" symbol
- 3 Technical data of the AC output
- 4 Standard for grid monitoring
- 5 Country-specific characteristic
- 6 Barcode (for internal purposes)
- 7 Device topology
- 8 Degree of protection
- 9 Technical data of the DC input
- 10 Item number and product name
- 11 Disposal information (separate collection of electrical and electronic equipment)
- 12 Request to disconnect the power sources prior to any intervention
- 13 Note on presence of voltage after switching off the inverter
- 14 Serial number (barcode and plain text)
- 15 Warning of voltage (two voltage sources)
- 16 Warning of hot surface
- 17 Follow the instructions



Only for Australia: cover the "Protection Class II" symbol (2) on the type plate.

4 Description

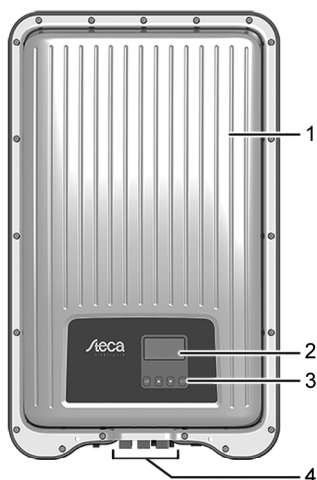
4.1 Scope of delivery



- 1 Inverter
- 2 Mounting plate
- 3 AC plug
- 4 DC plug (one pair*)
- 5 Sealing cap (3 units)
- 6 Installation and operating instructions

* coolcept fleX 3011_2, 3611_2 und 4611_2: two pairs

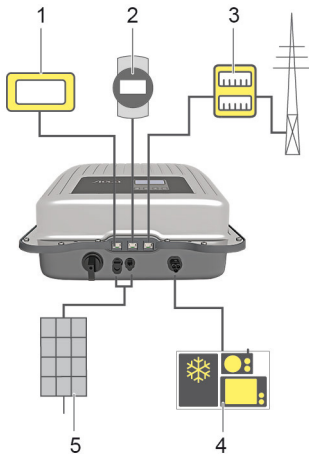
4.2 Structure of the device



- 1 Case
- 2 Display (monochrome, 128 x 64 pixels)
- 3 Operating buttons (for function refer to chapter 8)
- 4 Connections

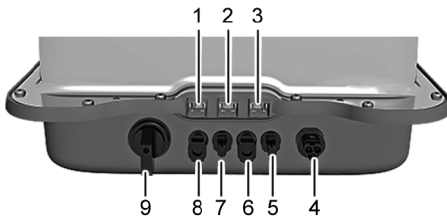
4.3 Connections

4.4 Exemplary connection



- 1 Connection of evaluation system
- 2 Data logger / other inverters
- 3 Connection of energy meter at the mains connection
- 4 Mains connection
- 5 PV generator (2 ea. in the case of StecaGrid 3011_2, 3611_2, 4611_2)

4.5 Connections, communication, and DC/AC



- 1 LAN (RJ45 socket)
- 2 COM1 (RJ45 socket)
- 3 COM2 (RJ45 socket)
- 4 AC connection
- 5 DC connection, '-' terminal* (DC input, MPP tracker 2)
- 6 DC connection, '+' terminal* (DC input, MPP tracker 2)
- 7 DC connection, '-' terminal (DC input, MPP tracker 1)
- 8 DC connection, '+' terminal (DC input, MPP tracker 1)
- 9 DC disconnector (interrupts the plus and minus inputs simultaneously)

* only in case of StecaGrid 3011_2, 3611_2, and 4611_2

4.6 Connection cables

Pin assignment of alternative RS485 data connecting cable.

Device	Inverter	Solar-Log	WEB'log ¹⁾	Kiwigrid	Signal
Connection	COM1/COM2	Terminal block	RJ12	Terminal block	↓
Contact	1	1	2	A	Data A
	2	4	4	B	Data B
	3	-	-	-	-
	4	-	-	-	-
	5	-	-	-	-
	6	-	-	-	-
	7	-	-	-	-
	8	3	6	GND	Ground



NOTE

¹⁾ Contact 1 of the RJ12 socket supplies 24 V DC!


The RS485 input of the inverter may be damaged.

- ▶ Never connect the alternative data connecting cable to contact 1.

4.7 Display

The display shows the menus of the inverter.

The backlight of the display is switched on by pressing any button. The operating states of the inverter are shown as follows:

Display	Meaning
	The inverter is processing large data volumes. It is not possible to enter user data
Backlight flashing red with event message	Fault

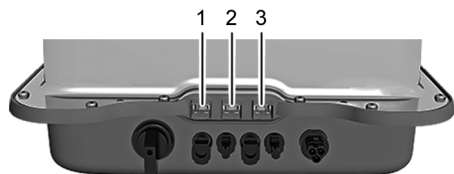
4.8 Cooling

The inverter may heat up during operation. This is a normal operating characteristic. A fan disperses the waste heat inside the closed case evenly onto the case surface. Cooling fins allow the heat to dissipate to the surrounding.

4.9 Grid monitoring

The grid monitoring in the device permanently monitors the grid parameters of the public grid. If the grid monitoring detects a deviation of the grid parameters from the statutory requirements, the device switches off automatically. When the public grid meets the statutory requirements again, the device switches on again automatically.

4.10 Data communication



- "LAN" connection (1) (Ethernet for TCP/IP network) for the communication with a central data server.
- "COM1" connection (2) (RS485 bus) for the communication with external devices, e.g. with a data logger.
- "COM2" connection (3) (Modbus RTU) for the communication with e.g. an external energy meter.

4.10.1 "COM1" and "COM2"

The inverter can communicate with other device via the "COM1" and "COM2" connections. Requirements for the communication:

- Both ends of the data connection are terminated.
- RJ45 standard cables or alternative data connecting cables are used as bus cables.

For further information on connecting further master devices and further inverters refer to the document "Technical Information" in the download area on the Steca website.

"COM2"

The inverter is able to communicate with energy meters (Modbus RTU) via the "COM2" connection. To do this, the energy meter must meet the following requirements:

- The energy meter has been programmed in the inverter.
- The energy meter measures the draw from the grid in positive direction (refer to instructions of the energy meter).

4.10.2 Modbus RTU data connecting cable



NOTE

Voltage may cause property damage.

- ▶ Only have specialists manufacture the alternative data connecting cable.
- ▶ Only use suitable outdoor patch cables for outdoor installations.

Use a RJ45 standard cable or a CAT5 patch cable as data connecting cable. For further information on the plug connection of the Modbus RTU data cable refer to the document "Technical Information" in the download area on the Steca website.

4.10.3 Alternative RS485 data connecting cable

Use a CAT 5 cable for the alternative data connecting cable in the case of long data connecting distances.

For further information on the data connecting cable, the RS485 termination and the pin assignment of the alternative RS485 data connecting cable refer to the document "Technical Information" in the download area on the Steca website.

4.10.4 LAN



Automatic start of the transmission of unencrypted data.

After establishing the network connection, the inverter automatically starts data transmission to the server. If automatic transmission is not wanted:

- ▶ Remove network cable.

Or:

- ▶ Deactivate data transmission in "Settings" > "Network".

Via the "LAN" connection, the inverter can send yield data and event messages to the server of a web portal. The web portal allows the graphical representation of the yield data. With the monitoring portal sunCloud, permanently free of charge, online monitoring of PV generators is easy and comfortable.



- ▶ In the menu "Settings" > "Network", the operator can enter network parameters in further submenu masks; refer to the document "Technical Information" in the download area on the Steca website.

4.11 Connection peculiarities

When "Italy" has been set in the country selection, the "COM1" or "COM2" connection must be wired in accordance with the CEI 0-21 standard. For a detailed description refer to the appendix (only in the Italian version of these instructions) or the document "Technical Information" in the download area on the Steca website.

4.12 Data display

The following data are shown on the display:

- voltage and current generated by the PV generator
- power and current fed into the public grid
- current voltage and frequency of the public grid
- generated energy yields on a daily, monthly and annual basis
- current error states and notes
- information on the version of the device

4.12.1 Data storage

In the internal memory (EEPROM), event messages and energy yields are stored with the date. The energy yields are stored for the specified period.

Energy yield	Storage resolution/period
10-minutes values	31 days
Daily values	13 months
Monthly values	30 years
Annual values	30 years
Total yield	Permanent

5 Installation

5.1 Safety instructions for assembly and installation



DANGER

Voltage

Under solar radiation, the PV generators and cables may be energised. There is the risk of death due electrocution and electric discharge.

- ▶ Disconnect the DC and AC connections from the power source prior to any work on the inverter:
 - Switch off all AC line circuit breakers and secure them against being switched on again.
 - Set the DC disconnecter on the inverter to position '0' and secure it against being switched on again.
 - Disconnect the plug connectors of the DC cables (follow the instructions of the manufacturer).
 - Disconnect AC plug from the inverter: press locking hook on the AC plug slightly and remove AC plug.
- ▶ Only have specialists carry out any installation work.
- ▶ Only connect the cables to the inverter when it is requested by the instructions.
- ▶ Only connect SELV circuits to the RJ45 socket.
- ▶ Maintain access to the shut-down control free at all times.
- ▶ Only have trained qualified personnel carry out the installation and commissioning.

**NOTE**

Improper installation may cause performance reduction or damages on the inverter.

- ▶ Ensure that the installation site meets the following requirements:
 - The mounting surface and immediate surrounding must be: permanently fixed, vertical, level, of low flammability, and not subject to constant vibration.
 - The ambient conditions are within the permissible range (refer to Technical data).
 - Open spaces are provided for around the device (above and underneath ≥ 200 mm, to the sides and in front ≥ 60 mm).
- ▶ Do not install the device in stables where animals are kept.
- ▶ Avoid exposure to direct sunlight of the device.
- ▶ Ensure that the display can be easily read on the installed device.



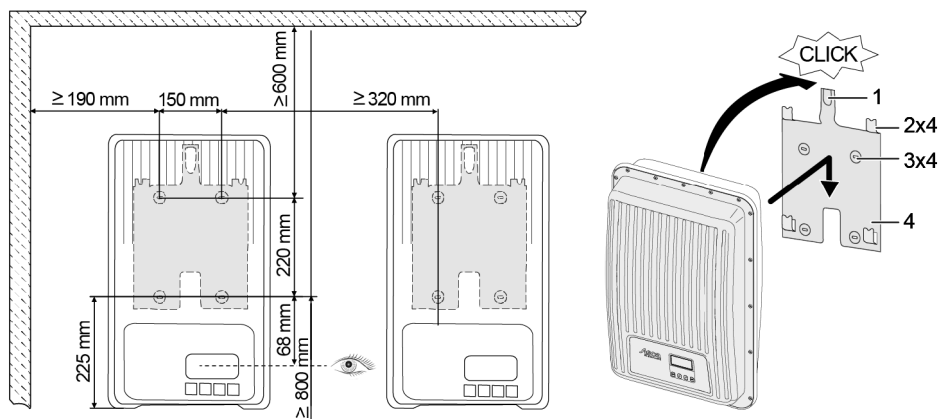
Data transmitted via a public network are not protected from being accessed by third parties.

Data transmission via a public network may cause additional costs.

- ▶ Obtain information on costs possibly involved prior to the use of a public network.
- ▶ Use a public network at your own risk.

- Lay the cables such that the connection cannot come loose accidentally.
- Ensure that the fire safety measures of the building are not impaired when routing cables for the device.
- Make sure that no inflammable gases are present.
- Observe all applicable installation regulations and standards, national laws and connection values specified by the regional power supply company.
- Observe the connection ratings specified on the type plate.
- Do not connect the DC cables to ground potential.
The DC inputs and the AC output are not galvanically isolated from each other.

5.2 Mounting the inverter



1. Fasten the mounting plate (4) to the mounting surface with 4 screws (3). The locking plate (1) points upwards.
2. Place inverter on the mounting plate.
3. Hook the 4 locating pins on the back of the inverter into the retaining tabs (2) of the mounting plate.
4. Press inverter against the mounting plate. The detent on the back of the inverter engages audibly in the locking plate (1).

5.3 Preparing AC connection



DANGER

Voltage

There is a risk of death by electrocution.

- ▶ Follow the safety instructions and warning notices in chapter 5.1.
- ▶ Never disconnect nor connect the plug connection while the AC connection is live.
- ▶ Install the circuit breaker prior to any work on the AC connection.

5.3.1 Residual current circuit breaker

If the local installation specifications prescribe the installation of an external residual current circuit breaker, install a residual current circuit breaker. In accordance with IEC 62109-1, a type A residual current circuit breaker is adequate.

5.3.2 AC cables

Suitable cables

- UL AWM Style 21098, size No. AWG 14
- UL AWM Style 2464, size No. AWG 16-22

Inverter	Cable cross section AC cable	Power loss (with 10 m cable length)	Circuit breaker
StecaGrid 1511	1.5 mm ²	10 W	B16
	2.5 mm ²	6 W	
	4.0 mm ²	4 W	
StecaGrid 2011	1.5 mm ²	18 W	B16
	2.5 mm ²	11 W	
	4.0 mm ²	6 W	
StecaGrid 2511	2.5 mm ²	16 W	B16
	4.0 mm ²	11 W	
StecaGrid 3011	2.5 mm ²	25 W	B16 or B25
StecaGrid 3011_2	4.0 mm ²	15 W	
StecaGrid 3611	2.5 mm ²	35 W	B25
StecaGrid 3611_2	4.0 mm ²	23 W	
StecaGrid 4611_2	2.5 mm ²	56 W	B25
	4.0 mm ²	35 W	

5.3.3 Assembling the AC plug

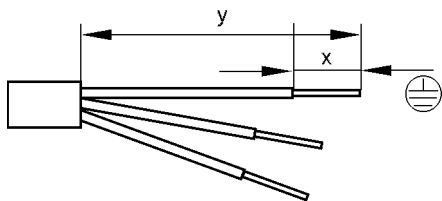


NOTE

If the instructions of the plug manufacturer are not followed when connecting the AC plug, the cable and the device may be damaged.

- ▶ Protect plug from bending loads.
- ▶ Do not use plug connector for interruption of current.

5.3.3.1 Preparing cables



	Single connection				Double connection	
	Ø 6....14		Ø 13....18		PE	N, L
Y	PE	N, L	PE	N, L	PE	N, L
	30	25	42	37	45	40
X	8					

5.3.3.2 Fitting cable to AC plug

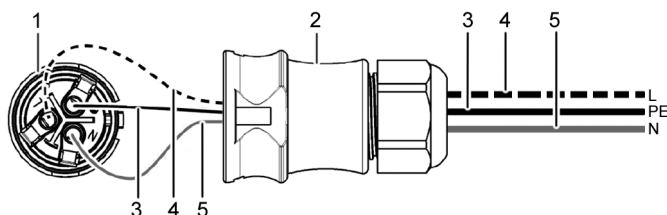


NOTE

Plug parts not assigned affect the IP rating of the degree of protection.
Always seal plugs not in use with protective caps.

220 V to 240 V grid voltage

Connect conductors N, L, and PE on the AC plug in 1-phase grid with 220 V to 240 V grid voltage.



- 1 AC plug, inner part
- 2 AC plug, housing part
- 3 PE conductor
- 4 L conductor
- 5 N conductor

100 V to 127 V grid voltage



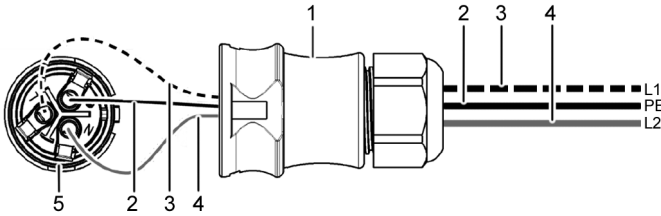
DANGER

Voltage

There is a risk of death by electrocution when connecting the phases L1, L2, or L3 to PE or N.

- ▶ Follow the safety instructions and warning notices in chapter 5.1.

The structure of 100 V to 127 V grid voltages differs from that of 220 V to 240 V grid voltages as it is not a 1-phase but a 2 or 3-phase grid.



- 1 AC plug, housing part
- 2 PE connection
- 3 L1 connection (outer conductor)
- 4 L2 connection (outer conductor)
- 5 AC plug, inner part

Connection to 2-phase grid

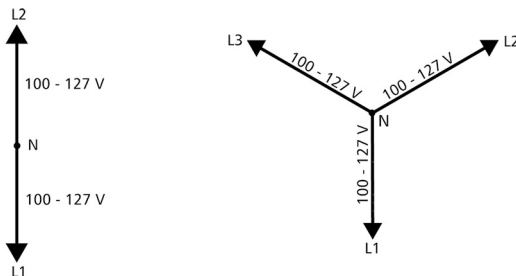
1. Connect the N and L connection of the AC plug (5) between the L1 (3) and L2 (4) outer conductors of the grid cable.
2. Connect PE cable (2) to PE connection on the AC plug.

Connection to 3-phase grid

In the 3-phase grid, there are 3 outer conductors in the cable:

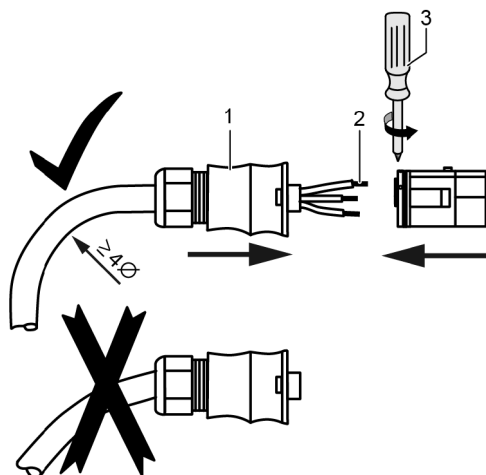
1. Connect N and L connections of the AC plug between any 2 outer conductors (between L1 and L2, or L1 and L3, or L2 and L3).
2. Connect PE cable to PE connection on the AC plug.

Voltage distribution in the 2 and 3-phase grid



The voltage in 2 and 3-phase grids is the same in every outer conductor: 100 V to 127 V.

Assembly instruction for AC plug



1. Guide cable through the plug housing. Slide plug housing (1) onto the cable.
2. Introduce wire ends (2) into the plug. Ensure that the bending radius of the cables is large enough (at least 4 times the cable diameter).
3. Using a screwdriver (Pozidriv PZ1) (3), secure wire ends with clamping screws. Tightening torque: 0.8 to 1 Nm. Ensure that the clamping connection holds.
4. Slide plug housing onto the plug and tighten until a click sound is heard.

5.4 Preparing DC connection



DANGER

Voltage

There is a risk of death by electrocution.

- ▶ Follow the safety instructions and warning notices in chapter 5.1.
- ▶ Use the SUNCLIX plug connectors (DC plugs) included in the scope of delivery to ensure the specified degree of protection.



NOTE

If the DC plugs are not connected correctly to the DC cable, there is a risk of short circuit. The inverter and modules may be damaged.

- ▶ Connect counterparts to the DC connections to the DC cable ensuring correct polarity.

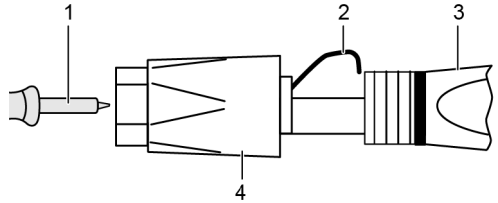
**NOTE**

Soiled, displaced, or damaged seals impair the strain relief and the impermeability.

- ▶ Do not soil, shift, nor damage the seals during DC plug assembly.

Fitting cable to DC plug

1. Strip 15 mm of cable end of cable (1).
2. Release spring (2) upwards.
3. Introduce stripped cable end into the DC plug until the cable end becomes visible underneath the spring (2).
4. Press spring (2) against the stripped cable end until it engages audibly. Ensure that the cable end is securely fastened.
5. Slide union nut (4) onto inset (3) of the DC plug.
6. Hold inset with a size 16 wrench and tighten the union nut (4) with a wrench, applying a tightening torque of 2 Nm.

**5.5 Connecting inverter and switching AC on****DANGER**

Voltage

There is a risk of death by electrocution.

- ▶ Follow the safety instructions and warning notices in chapter 5.1.



DC and AC cables may interfere with data transmission.

- ▶ Keep a distance of 200 mm between the data connecting cables (RS485/Ethernet) and the DC/AC cables.

**NOTE**

If sealing caps are missing, moisture may get into the inverter.

- ▶ Seal vacant RJ45 sockets with sealing caps.

1. If required, establish the data connection:
 - Connect inverters (mater device and further connected inverters) with data connecting cable(s).
2. Seal vacant RJ45 sockets with sealing caps.
3. Press DC plug firmly into the DC connection in the inverter until it engages audibly.
4. Insert AC plug into the AC connection in the inverter until it engages audibly.
5. Switch on the AC circuit breaker.
6. The display shows the start page of initial commissioning.

6 Dismounting the inverter

The safety instruction from chapter 5 apply.



DANGER

Voltage can be present at the DC-connection for up to 10 minutes after switching off the DC circuit breaker.

There is a risk of death by electrocution.

- ▶ Wait 10 minutes after switching off the DC disconnecter.



DANGER

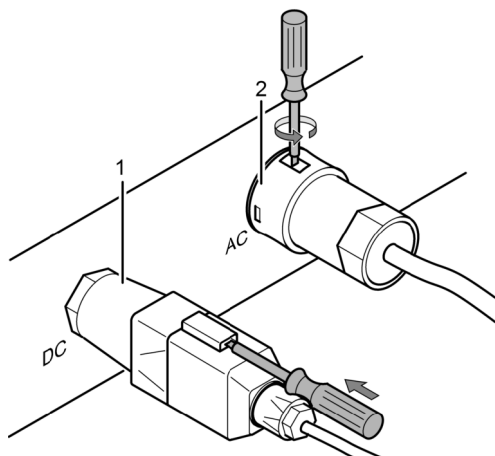
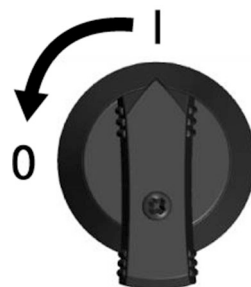
The PV generator carries voltage when there is solar radiation.

There is a risk of death by electrocution.

- ▶ Only have specialists carry out any work on the DC connection.

6.1 Switching AC and DC off

1. Turn DC disconnecter on the inverter to position "0".
2. Switch the AC circuit breaker off.



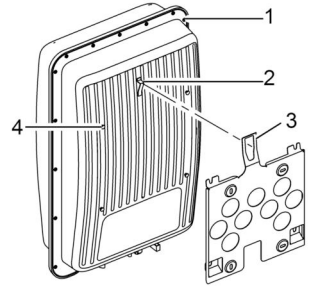
3. Disconnect DC connection (1) from inverter: insert screwdriver into unlocking opening, keep screwdriver inserted, and pull plug out.
4. Disconnect AC plug (2) from inverter: slightly press in and rotate the locking hook with a suitable tool, e.g. a screwdriver, and pull AC plug out.
5. Ensure that none of the AC plug poles carries voltage with the help of a suitable voltage tester (do not use a phase testing probe).

6.2 Opening the AC plug

1. Open the rear cable gland.
2. Simultaneously press in the locking hooks on the left and on the right of the plug housing with a suitable tool.
3. Remove the upper part of the housing from the contacting part.

6.3 Removing inverter from mounting plate

1. Press locking plate (3) towards the wall and hold it there.
2. Push inverter upwards until the detent (2) can no longer snap in.
3. Release the locking plate.
4. Hold inverter by the edge (1) with both hands and lift it off upwards. The locating pins (4) must separate from the retaining tabs of the mounting plate.
5. Remove inverter from mounting plate.
6. Unscrew the fastening screws of the mounting plate.
7. Remove mounting plate.



7 Initial commissioning

7.1 Performing initial commissioning

After installing and switching on the inverter, the dialogue for initial commissioning starts automatically. During initial commissioning, the user is guided via a checklist on the display.

If the initial commissioning is not completed, the dialogue for initial commissioning will start again after switching on the inverter.



Not until all the checkboxes in the checklist have been marked and the "Finish" menu is closed, will the initial commissioning be concluded.

During initial commissioning, the operator is guided through the menus "Display language", "Date", "Time", "Country", and "Reactive power characteristic curve" (only when prescribed for the selected country).

The settings in the menus of the initial commissioning are performed via the operating buttons (for a comprehensive description of the function of the operating buttons, refer to chapter 8).

7.2 Finishing the initial commissioning

By selecting "Finish" in the checklist, the successful completion of the initial commissioning is confirmed. If any settings have not been processed completely, the message "Settings are incomplete" appears. In this case:

1. Press "SET". The checklist is displayed again.
2. Process the open items and finish the processing.

When all settings have been processed, a dialogue stating "Are all settings correct?" is displayed. In this case:

1. If any settings have to be corrected, select the corresponding menu in the checklist and correct the settings.
2. If all the settings are correct: press "SET" longer. The inverter is restarted and synchronises itself with the grid.

After finishing the initial commissioning, you can set the feed-in management and switch DC on (refer to section 7.4).



For any information on particular settings (e.g. incorrect entries or missing countries in the country setting) refer to the document "Technical Information" in the download area on the Steca website.

7.3 Setting the feed-in management

Depending on the country, PV generators must be able to reduce the fed-in active power. The following products are suitable for implementing this legal requirement:

- StecaGrid SEM
- WEB'log from Meteocontrol
- Solar-Log from Solare Datensysteme
- Energy-Manager from Kiwigrid

In the "Energy management" menu item, the mode, the feed-in rules, and the meter type are set.



For a detailed description of the settings of the feed-in management refer to the document "Technical Information" in the download area on the Steca website.

7.3.1 Connecting energy meter

An energy meter can be connected to the inverter via the Modbus RTU interface "COM2" (refer to section 4.10.1).

In the "Mode" menu item, the "Energy meter" function can be switched on or off.

7.3.2 Selecting an energy meter

The inverter can only communicate with the programmed energy meters.

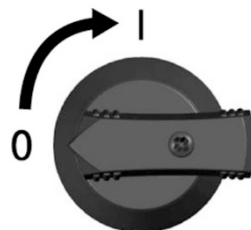
7.3.3 Limiting the dynamic feed-in value

The feed-in value (country specific) can be entered from 0 W upwards in 10 W increments.

7.4 Switching DC on

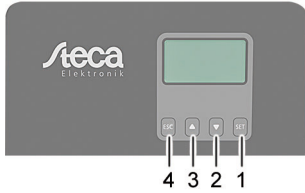
Switching on the DC disconnecter on the inverter finishes the installation of the inverter. After approx. 2 minutes, the display can show the fed-in power (provided that there is solar radiation).

1. Turn DC disconnecter on the inverter to position 'I'.



8 Operation

8.1 Operating buttons



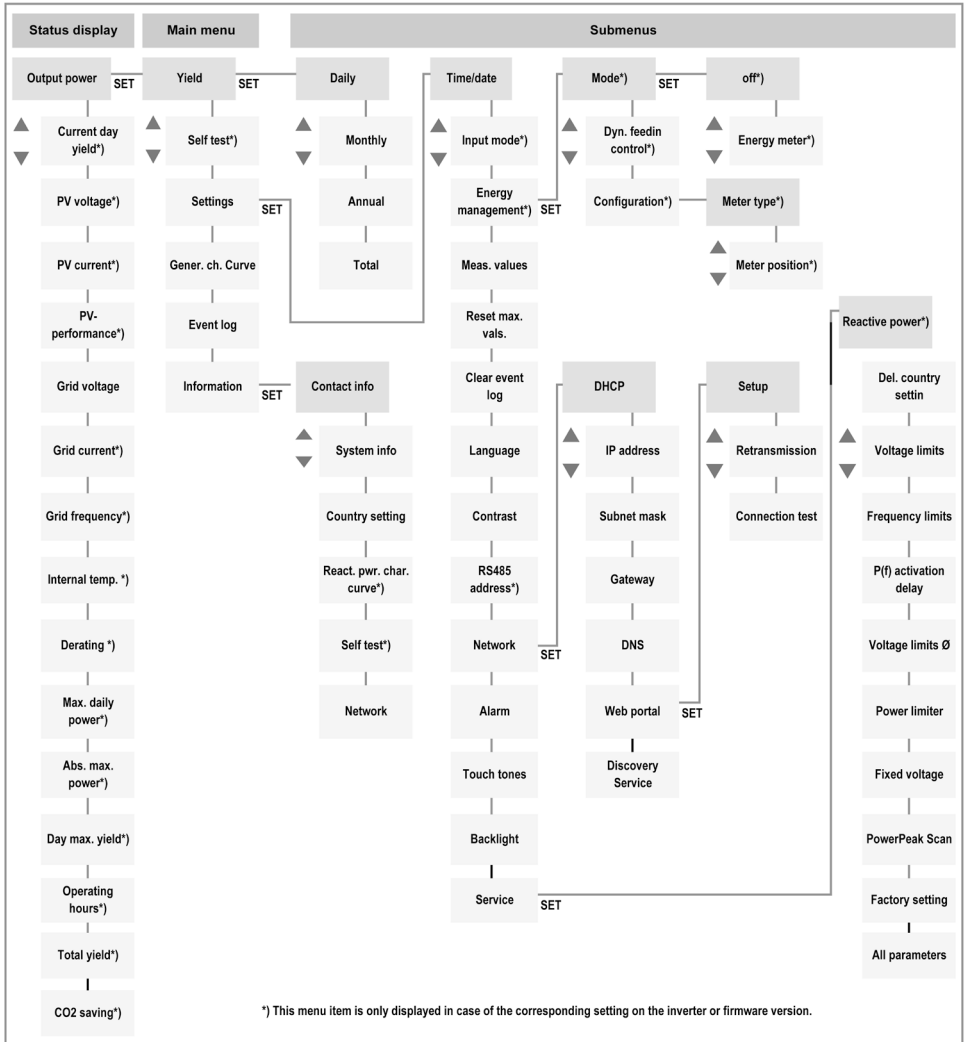
- 1 SET
- 2 ▾
- 3 △
- 4 ESC

8.2 Functions of the operating buttons

But- ton	Action	Function	
		Normal operation	Commissioning
ESC	Press briefly	<ul style="list-style-type: none"> - Jumps 1 menu level up - Discards changes 	Jumps 1 step back
	Press longer (≥ 1 second)	Jumps to the start image	Jumps to the start of the guided operation
△	Press briefly	<ul style="list-style-type: none"> - Moves the selection bar or the display content upwards - Moves the selection bar 1 position to the left when setting numeric values - Increases the setting value by 1 step 	
		Browses in menu structure	-
	Press longer (≥ 1 second)	Triggers a repetition of the command. The repetition rate increases when pressing for a longer period	

But- ton	Action	Function	
		Normal operation	Commissioning
▽	Press briefly	<ul style="list-style-type: none"> - Moves the selection bar or the display content downwards - Moves the selection bar 1 position to the right when setting numeric values - Decreases the setting values by 1 step 	
		Browses in menu structure	-
	Press longer (≥ 1 second)	Triggers a repetition of the command. The repetition rate increases when pressing for a longer period	
SET	Press briefly	<ul style="list-style-type: none"> - Jumps down by 1 menu level - Jumps to the diagram view in certain menus 	
		<ul style="list-style-type: none"> - A selected value starts flashing and can be changed - Accepts any entered changes - Changes the state of a control element (check box / radio button) 	
	Press longer (≥ 1 second)	Answers a query dialogue with Yes	Navigates 1 step forward

8.3 Menu structure



Due to further technical development, changes of the menu structure are possible after delivery of this document. The current version of the menu structure is available in the download area of our homepage.

8.4 Navigating the menu structure

- To go from one "Output power" status display to the other status displays: scroll through the status displays with the "▲▼" operating buttons.
- To go from the "Output power" status display to the main menu: press "SET".

- To go to the other menu items within the main menu: scroll through the menu with the " $\Delta \nabla$ " operating buttons.
- To go from a menu item to a submenu: press "SET".
- To go to other menu items within a submenu: scroll through the submenu with the " $\Delta \nabla$ " operating buttons.
- To return from any menu to the "Output power" status display: press and hold "ESC" for 1 second.



For a detailed description of the individual menu items refer to the document "Technical Information" in the download area on the Steca website.

9 Faults

Faults are indicated by a red background that is flashing. An event message is also displayed at the same time.

Event messages contain the following information:

- Event message type
- Date/time of the event message
- Note on the status of the event:
Active = fault is still present
Date/time = fault was eliminated at the indicated time
- Cause of the fault
- Consecutive number / total number in the list of events
- Acknowledged / not acknowledged fault

Events are acknowledged by pressing the "ESC" or " $\Delta \nabla$ " operating buttons. The fault, however, persists until the cause for the fault has been remedied.

9.1 Event message type



Information

The inverter has detected an error which does not impair feed-in. There is no need for the user to intervene.



Warning

The inverter has detected an error which may cause reduced yields. It is recommended to eliminate the cause of error.



Error

The inverter has detected a serious error. The inverter does not feed in as long as the error is present.

Inform the installer.



For a detailed description of the individual event messages refer to the document "Technical Information" in the download area on the Steca website

10 Maintenance and care



DANGER

Voltage.

There is a risk of death by electrocution.

- ▶ Only clean device with a slightly moist cloth.
- ▶ Any repair work may only be carried out by the manufacturer's customer service department.

Except for the care of its exterior, the inverter is maintenance free.

- Remove dust with compressed air (max. 2 bar).
- Remove soiling with a slightly damp cloth (use clear water). In case of heavy soiling, use a cleaning agent without solvents or disinfectants, that does not contain any granular or sharp-edged substances.

11 Disposal



- ▶ Do not dispose of the inverter with household waste.
- ▶ Return the inverter to Steca customer service with the note: "For disposal".
- ▶ The device packaging consists of recyclable materials.

12 Technical data

12.1 StecaGrid 1511, 2011, 2511, 3011 and 3611

	StecaGrid 1511	StecaGrid 2011	StecaGrid 2511	StecaGrid 3011	StecaGrid 3611
Installation altitude	Max. 2000 m above sea level				
DC input side (PV generator connection)					
Max. input voltage	450 V			750 V	
MPP voltage range	75 V to 360 V			125 V to 600 V	150 V to 600 V
Operating voltage range at nominal power	120 V to 360 V	160 V to 360 V	200 V to 360 V	230 V to 600 V	280 V to 600 V
Number of MPP trackers	1				
Max. input current	13 A				
Max. input power with max. output active power	1540 W	2050 W	2560 W	3070 W	3770 W
Max. short-circuit current	15 A				

	StecaGrid 1511	StecaGrid 2011	StecaGrid 2511	StecaGrid 3011	StecaGrid 3611
AC output side (grid connection)					
Output voltage	185 V to 276 V				
Nominal output voltage	230 V				
Max. output current	12 A	12 A	14 A	14 A	16 A
Max. active power (cosPhi = 1)	1500 W	2000 W	2500 W	3000 W	3680 W
Maximum apparent power	1500 VA	2000 VA	2500 VA	3000 VA	3680 VA
Nominal power	1500 W	2000 W	2500 W	3000 W	3680 W
Nominal frequency	50 Hz and 60 Hz				
Grid frequency	45 Hz to 65 Hz				
Power loss during nighttime operation	< 3 W				
Feed-in phases	One-phase				
Distortion factor (cosPhi = 1)	< 3 %				
Power factor cosPhi	0.8 capacitive to 0.8 inductive				
Highest output fault current	0.0 A				
Highest overcurrent protection	28 A			40 A	
Characterisation of the operating behaviour					
Max. efficiency	97.40 %	97.40 %	97.40 %	97.00 %	97.00 %
European efficiency	96.10 %	96.50 %	96.60 %	96.30 %	96.30 %
MPP efficiency	> 99.7 % (static), > 99 % (dynamic)				
Internal consumption	< 20 W				
Power derating (power reduction) at full power from	50 °C (T _{amb})				45 °C (T _{amb})
Safety					
Isolation principle	No galvanic isolation, without transformer				
Grid monitoring	Yes, integrated				
Residual current monitoring	Yes, integrated (the inverter cannot cause a DC residual current due to the design)				

	StecaGrid 1511	StecaGrid 2011	StecaGrid 2511	StecaGrid 3011	StecaGrid 3611
Protection class	Protection class 2 (RCD type A sufficient)				
Operating conditions					
Area of application	Indoors, outdoors (degree of soiling 3)				
Climate category i.a.w. IEC 60721-3-4	4K4H				
Ambient temperature	-25 °C to +60 °C				
Storage temperature	-30 °C to +80 °C				
Relative humidity	0 % to 100 %, non-condensing				
Noise emission (typical)	31 dB(A)				
Equipment and design					
Degree of protection	IP 65				
Overvoltage category	III (AC), II (DC)				
DC connection	Phoenix Contact SUNCLIX (1 pair), mating plugs included in the scope of delivery				
AC connection	Wieland RST25i3 plug, mating plug included in the scope of delivery				
Dimensions	399 x 657 x 222 mm				
Weight	11.7 kg			12.4 kg	
Communication interfaces	RS-485 (1 x RJ45 socket: connection to Meteocontrol WEB'log or Solar-Log™), Ethernet interface (1 x RJ45), Modbus RTU (1 x RJ45 socket: connection to energy meter)				
Integrated DC disconnecter	Yes, conform to DIN VDE 0100-712				
Cooling principle	Temperature controlled fan, variable-speed, internal (dust-protected)				
Test certificate	Refer to certificates download at the product page of homepage				

12.2 StecaGrid 3011_2, 3611_2 and 4611_2

	StecaGrid 3011_2	StecaGrid 3611_2	StecaGrid 4611_2
Installation altitude	Max. 2000 m above sea level		
DC input side (PV generator connection)			
Max. input voltage	750 V		

	StecaGrid 3011_2	StecaGrid 3611_2	StecaGrid 4611_2
MPP voltage range	125 V to 600 V	150 V to 600 V	150 V to 600 V
Operating voltage range at nominal power	230 V to 600 V	280 V to 600 V	360 V to 600 V
Number of MPP trackers	2		
Max. input current	2 x 13 A		
Max. input power with max. output active power	3070 W	3770 W	4740 W
Max. short-circuit current	15 A		
AC output side (grid connection)			
Output voltage	185 V to 276 V		
Nominal output voltage	230 V		
Max. output current	14 A	16 A	20 A
Max. active power (cosPhi = 1)	3000 W	3680 W	4600 W
Maximum apparent power	3000 VA	3680 VA	4600 W
Nominal power	3000 W	3680 W	4600 W
Nominal frequency	50 Hz and 60 Hz		
Grid frequency	45 Hz to 65 Hz		
Power loss during nighttime operation	< 3 W		
Feed-in phases	One-phase		
Distortion factor (cosPhi = 1)	< 3 %		
Power factor cosPhi	0.8 capacitive to 0.8 inductive		
Highest output fault current	0.0 A		
Highest overcurrent protection at the output	40 A	40 A	57 A
Characterisation of the operating behaviour			
Max. efficiency	97.00 %	97.00 %	97.40 %
European efficiency	96.30 %	96.30 %	96.90 %
MPP efficiency	> 99.7 % (static), > 99 % (dynamic)		
Internal consumption	< 20 W		
Power derating at full power from	45 °C (T _{amb})	45 °C (T _{amb})	40 °C (T _{amb})

	StecaGrid 3011_2	StecaGrid 3611_2	StecaGrid 4611_2
Safety			
Isolation principle	No galvanic isolation, without transformer		
Grid monitoring	Yes, integrated		
Residual current monitoring	Yes, integrated (the inverter cannot cause a DC residual current due to the design)		
Protection class	Protection class 2 (RCD type A sufficient)		
Operating conditions			
Area of application	Indoors, outdoors (degree of soiling 3)		
Climate category i.a.w. IEC 60721-3-4	4K4H		
Ambient temperature	-25 °C to +60 °C		
Storage temperature	-30 °C to +80 °C		
Relative humidity	0 % to 100 %, non-condensing		
Noise emission (typical)	31 dB(A)		
Equipment and design			
Degree of protection	IP 65		
Overtoltage category	III (AC), II (DC)		
DC connection	Phoenix Contact SUNCLIX (2 pair), mating plugs included in the scope of delivery		
AC connection	Wieland RST25i3 plug, mating plug included in the scope of delivery		
Dimensions	399 x 657 x 222 mm		
Weight	13 kg	13 kg	13.1 kg
Communication interfaces	RS-485 (1 x RJ45 socket: connection to Meteocontrol WEB'log or Solar-Log™), Ethernet interface (1 x RJ45), Modbus RTU (1 x RJ45 socket: connection to energy meter)		
Integrated DC disconnecter	Yes, conform to DIN VDE 0100-712		
Cooling principle	Temperature controlled fan, variable-speed, internal (dust-protected)		
Test certificate	Refer to certificates download at the product page of homepage		