

Boost Your Power & Profit

MT G2 Series

4 MPPT 3 Phase Grid-tied Inverter

80kW

The second generation of GoodWe MT series inverter is suitable for medium and large scale commercial rooftops and ground-mounted solar PV systems where maximum versatility and profitability are important. With its compact design and power boost function, the GoodWe MT G2 series can provide a 15% continuous maximum AC output power overload, thus offering a faster return on investment.



30% DC Input Oversizing Ratio



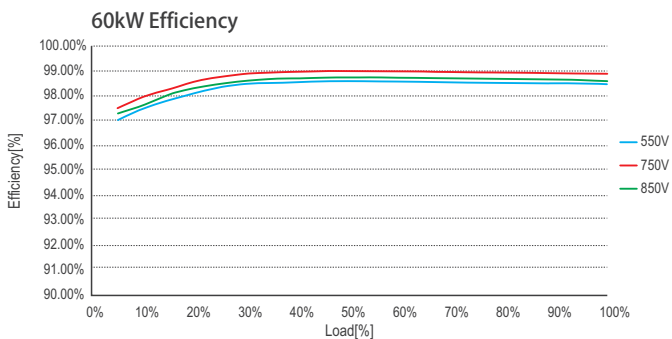
Power Line Communication



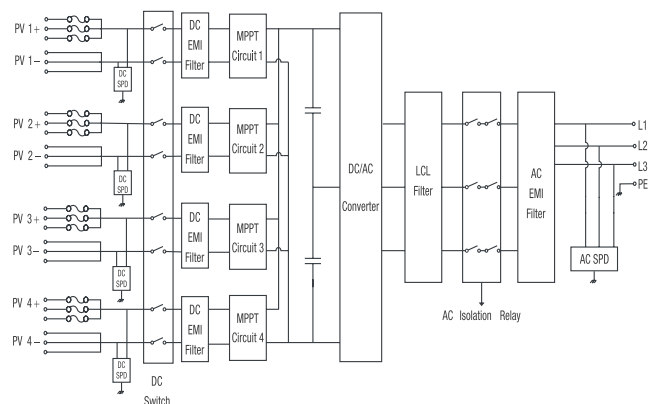
15% AC Output Overloading Ratio



Arc-Fault Circuit-Interrupter



GW60KHV-MT Circuit Diagram



Technical Data

GW80K-MT

DC Input Data	Max. PV Power (W)	120000
	Max. DC Input Voltage (V)	1100
	MPPT Range (V)	200~1000
	Starting Voltage (V)	200
	Nominal DC Input Voltage (V)	620
	Max. Input Current (A)	44/44/44/44
	Max. Short Current (A)	55/55/55/55
	No. of MPP Trackers	4
No. of Input Strings per Tracker	4/4/4/4 (Standard) or 3/3/3/3 (Optional, Support bifacial module)	
AC Output Data	Nominal Output Power (W)	80000
	Max. Output Power (W)	92000@400Vac; 96000@415Vac
	Max. Output Apparent Power (VA)	92000@400Vac; 96000@415Vac
	Nominal Output Voltage (V)	400, default 3L+N+PE, 3L+PE optional in settings
	Nominal Output Frequency (Hz)	50/60
	Max. Output Current (A)	133
	Output Power Factor	~1 (Adjustable from 0.8 leading to 0.8 lagging)
Output THDi (@Nominal Output)	<3%	
Efficiency	Max. Efficiency	98.8%
	European Efficiency	98.3%
Protection	PV String Current Monitoring	Integrated
	Anti-islanding Protection	Integrated
	Input Reverse Polarity Protection	Integrated
	Insulation monitoring	Integrated
	DC fuse	Integrated
	Anti-PID Function for Module	Optional
	DC SPD Protection	Integrated (Type II)
	AC SPD Protection	Integrated (Type II)
	Residual Current Monitoring Unit	Integrated
	AC Over Current Protection	Integrated
	AC Short Protection	Integrated
	AC Over Voltage Protection	Integrated
Humidity Monitoring	Optional	
General Data	Ambient Temperature Range (°C)	-30~60
	Relative Humidity	0~100%
	Operating Altitude (m)	≤4000
	Cooling	Fan Cooling
	Display	LED, WiFi+APP
	Communication	RS485&WiFi, PLC (Optional)
	Weight (kg)	70kg
	Dimension (Width*Height*Depth mm)	586*788*267
	Protection Degree	IP65
	Night Self Consumption (W)	<1
Topology	Transformerless	
Certifications & Standards	Grid Regulation	VDE-AR-N 4105, IEC61727, IEC62116
	Safety Regulation	IEC62109-1&2
	EMC Regulation	EN 61000-6-1, EN 61000-6-2, EN 61000-6-3, EN 61000-6-4