



The project solution
330W / 1,500V

Polycrystalline silicon photovoltaic modules



12 GW installed worldwide

Make Sharp's pioneering solar modules the only choice for your project.

72
cells



55 years of solar expertise



Guaranteed positive power tolerance (0/+5%)



Up to 17% module efficiency
5-busbar cells for higher efficiencies



Proven Quality

TÜV (IEC/EN 61215, IEC/EN61730)
Safety class II / CE
Application class A
Fire rating class C



Polycrystalline silicon photovoltaic modules

10
YEARS

Product guarantee

25
YEARS

Linear power output guarantee



1,500 system voltage

Electrical data (STC)

ND-AH330H

Maximum power	P_{max}	330	W_p
Open-circuit voltage	V_{oc}	46.2	V
Short-circuit current	I_{sc}	9.33	A
Voltage at point of maximum power	V_{mpp}	37.8	V
Current at point of maximum power	I_{mpp}	8.73	A
Module efficiency	η_m	17.0	%

STC = Standard Test Conditions: irradiance 1,000 W/m², AM 1.5, cell temperature 25 °C.
 Rated electrical characteristics are within ±10 % of the indicated values of I_{sc}, V_{oc} and 0 to +5 % of P_{max} (power measurement tolerance ±3 %).

Electrical data (NOCT)

ND-AH330H

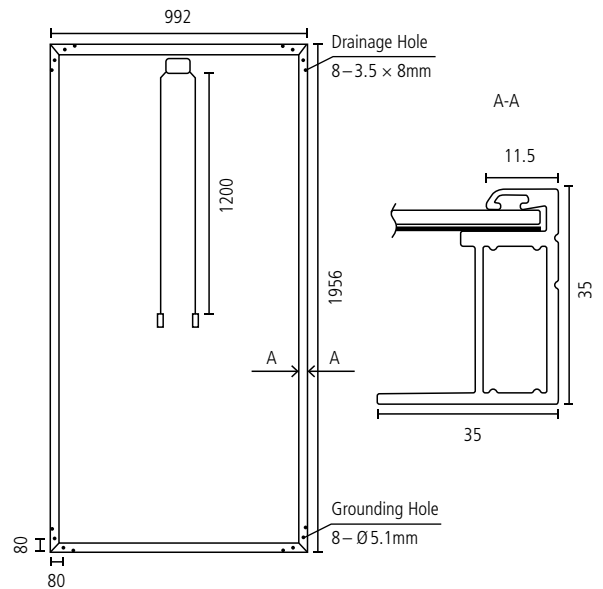
Maximum power	P_{max}	243.94	W_p
Open-circuit voltage	V_{oc}	42.7	V
Short-circuit current	I_{sc}	7.54	A
Voltage at point of maximum power	V_{mpp}	34.7	V
Current at point of maximum power	I_{mpp}	7.03	A

Module operating temperature at 800 W/m² irradiance, air temperature of 20 °C, wind speed of 1 m/s. NOCT = 45°C.

Mechanical data

Length	1,956 mm
Width	992 mm
Depth	35 mm
Weight	22.2 kg

Dimensions (mm)



Temperature coefficient

P_{max}	-0.41 %/°C
V_{oc}	-0.32 %/°C
I_{sc}	0.055 %/°C

Limit values

Maximum system voltage	1,500 VDC
Over-current protection	15 A
Temperature range	-40 to +85° C
Max. mechanical load (snow / wind)*	2,400 Pa

*Please refer to Sharp's installation manual for details.

General data

Cells	polycrystalline, 156.75 mm x 156.75 mm, 72 cells in series
Front glass	low iron tempered glass, 3.2 mm
Frame	anodized aluminium alloy, silver
Connection box	IP68, 3 bypass diodes
Cable	4.0 mm ² , length 1,200 mm
Connector	PV-XT101.1, SUZHOU XTONG PHOTOVOLTAIC TECHNOLOGY Co. Ltd

Packaging data

Modules per pallet	30 pcs
Pallet size (L x W x H)	1,995 x 1,150 x 1,123 mm
Pallet weight	740 kg



www.sharp.eu

SHARP