

# BAUER

Solartechnik GmbH



## BS-6P5-EL

Polycrystalline solar modul 270 - 280 W



### PERFORMANCE GUARANTEE

20 years product warranty and a linear performance guarantee over a period of 25 years



### CERTIFICATION

Permanent in-house quality control, multiple certifications by accredited inspection bodies



### EFFICIENCY

High efficiency for optimum yield - innovations directly influence the production process



### POSITIVE POWER TOLERANCE

Exclusive delivery of solar modules with positive power tolerance only



### WEATHER-RESISTANT

Standardized mechanical load test guards against damage from wind and weather



### GERMAN GUARANTOR

In case of need it is ensured that a German company assumes the claim settlement



### SAFETY

High-quality components ensure maximum protection in all weather conditions



### HANDLING

Low storage / transport cost and easy installation thanks to an intelligent packaging concept

PROVEN & GUARANTEED BY  
**BAUER SOLARTECHNIK**

HIGH QUALITY STANDARDS BY GERMAN ENGINEERS



## Mechanical Data

Cell type	polycrystalline 156 x 156 mm
Cell formation	6 x 10 (60)
Module dimensions	1640 x 990 x 35 mm
Weight	18,3 kg
Front cover	tempered glass, 3,2 mm
Frame material	anodized aluminium alloy
Module back	TPT foil
Embedding material	EVA
Connection	junction box $\geq$ IP 65
Number of diodes	3 x 2 bypass diodes
Cabel / connector	4 mm <sup>2</sup> , 1000 mm, MC4-compatible

## Temperature coefficients

Nom. operating cell temp. (NOCT)	45°C $\pm$ 2
Temperature coefficient of $I_{sc}$	+0,045 %/K
Temperature coefficient of $V_{oc}$	-0,292 %/K

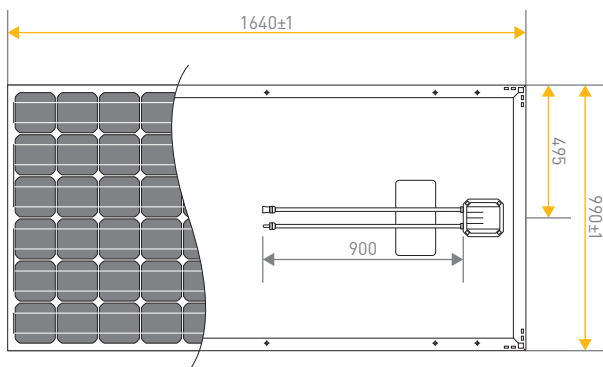
## Operational conditions

Maximum system voltage	1000 V DC (TÜV)
Operating temperatur	-40 bis 85°C
Maximum series fuse rating	20 A
Static load (snow/wind)	5400 Pa
Hail	$\varnothing$ 25 mm bei 23 m/s

## Electrical data<sup>1</sup>

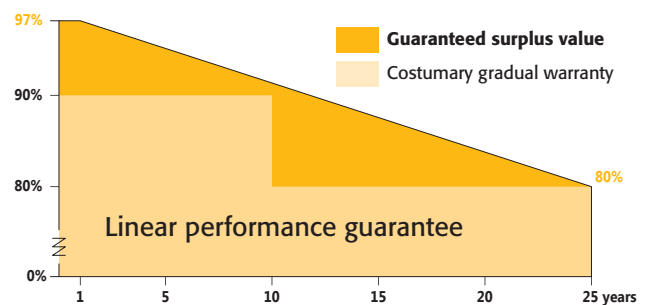
	BS-270-6P5-EL	BS-275-6P5-EL	BS-280-6P5-EL
Nominal maximum power $P_{max}$ (W <sub>p</sub> )	270 W	275 W	280 W
Power output tolerance $P_{max}$ (%)	0 ~ +3	0 ~ +3	0 ~ +3
Optimum operating voltage $V_{mpp}$ (V)	30,70	30,90	31,00
Optimum operating current $I_{mpp}$ (A)	8,79	8,90	9,03
Short circuit current $I_{sc}$ (A)	9,08	9,15	9,25
Open circuit voltage $V_{oc}$ (V)	37,90	38,00	38,10
Module efficiency $\eta_m$ (%)	16,63	16,94	17,25

## Dimensions



## Warranty conditions<sup>2</sup>

Product warranty	20 years
Performance guarantee	25 years (min. 80% after 25 years)



## Packaging units

Modules per pallet	30 pcs
Module per truck	840 pcs

## Qualification & certification

IEC 61215:2005	 
IEC 61730-1:2004 / IEC 61730-2:2004	

<sup>1</sup>Values under Standard Test Conditions (STC): air mass 1,5 AM, irradiance 1000 W/m<sup>2</sup>, cell temperature 25°C. STC measuring tolerance:  $\pm 3$  % ( $P_{max}$ ),  $\pm 10$  % ( $V_{max}$ ,  $I_{mpp}$ ,  $V_{oc}$ ,  $I_{sc}$ ). <sup>2</sup>Nominal value is specified in the written warranty conditions. Note: Please read safety instructions and installation manual before using this product. Subject to change. © 2018 Bauer Energiekonzepte GmbH. Effective 16th of may 2018.



Distribution:

**BAUER**   
ENERGIEKONZEPTE