

BAUER

Solartechnik GmbH



BS-6MB5-EL

Monocrystalline solar module 290 - 300 W



PERFORMANCE GUARANTEE

20 years product warranty and a linear performance guarantee over a period of 25 years



CERTIFICATION

Permanent in-house quality control, multiple certifications by accredited inspection bodies



EFFICIENCY

High efficiency for optimum yield - innovations directly influence the production process



POSITIVE POWER TOLERANCE

Exclusive delivery of solar modules with positive power tolerance only



WEATHER-RESISTANT

Standardized mechanical load test guards against damage from wind and weather



GERMAN GUARANTOR

In case of need it is ensured that a German company assumes the claim settlement



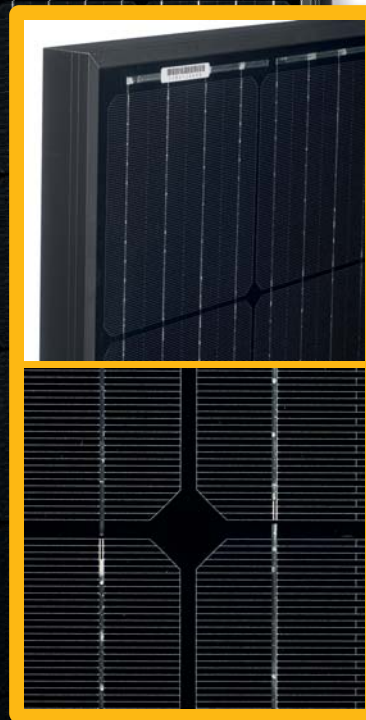
SAFETY

High-quality components ensure maximum protection in all weather conditions



HANDLING

Low storage / transport cost and easy installation thanks to an intelligent packaging concept



PROVEN & GUARANTEED BY
BAUER SOLARTECHNIK
HIGH QUALITY STANDARDS BY GERMAN ENGINEERS



Mechanical Data

Cell type	monocrystalline / PERC
Cell formation	6 x 10 (60)
Module dimensions	1640 x 990 x 35 mm
Weight	18,3 kg
Front cover	tempered glass, 3,2 mm
Frame material	anodized aluminium alloy
Module back	TPT foil
Embedding material	EVA
Connection	junction box \geq IP 65
Number of diodes	3 x 2 bypass diodes
Cabel / connector	4 mm ² , 900 mm, MC4-compatible

Temperature coefficients

Nom. operating cell temp. (NOCT)	45°C \pm 2
Temperature coefficient of I_{sc}	+0,05 %/K
Temperature coefficient of V_{oc}	-0,29 %/K

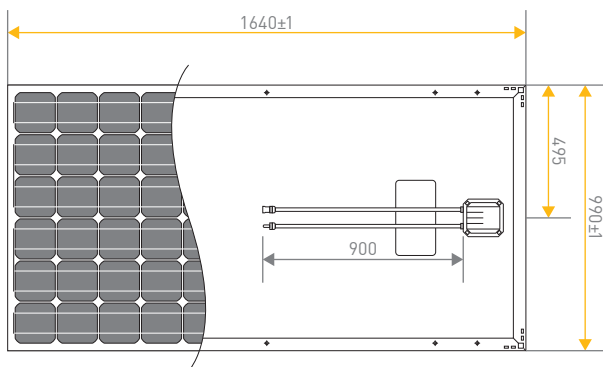
Operational conditions

Maximum system voltage	1000 V DC (TÜV)
Operating temperatur	-40 bis 85°C
Maximum series fuse rating	20 A
Static load (snow/wind)	5400 Pa
Hail	\varnothing 25 mm bei 23 m/s

Electrical data¹

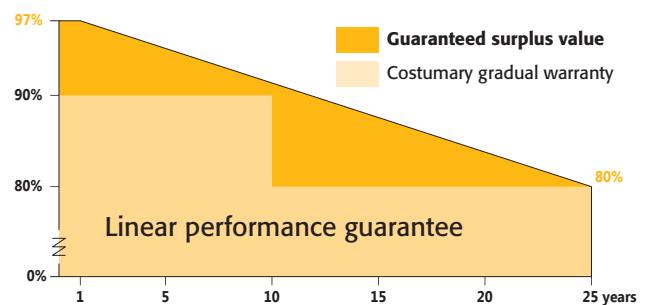
	BS-290-6MB5-EL	BS-295-6MB5-EL	BS-300-6MB5-EL
Nominal maximum power P_{max} (W _p)	290 W	295 W	300 W
Power output tolerance P_{max} (%)	0 ~ +3	0 ~ +3	0 ~ +3
Optimum operating voltage V_{mpp} (V)	31,70	31,80	32,20
Optimum operating current I_{mpp} (A)	9,08	9,20	9,31
Short circuit current I_{sc} (A)	9,36	9,44	9,60
Open circuit voltage V_{oc} (V)	38,90	39,10	39,80
Module efficiency η_m (%)	17,86	18,17	18,48

Dimensions



Warranty conditions²

Product warranty	20 years
Performance guarantee	25 years (min. 80% after 25 years)



Packaging units

Modules per pallet	30 pcs
Modules per truck	840 pcs

Qualification & certification

IEC 61215:2005	
IEC 61730-1:2004 / IEC 61730-2:2004	

¹Values under Standard Test Conditions (STC): air mass 1,5 AM, irradiance 1000 W/m², cell temperature 25°C. STC measuring tolerance: ± 3 % (P_{max}), ± 10 % (V_{max} , I_{mpp} , V_{oc} , I_{sc}). ²Nominal value is specified in the written warranty conditions. Note: Please read safety instructions and installation manual before using this product. Subject to change. © 2018 Bauer Energiekonzepte GmbH. Effective 16th of may 2018.



Vertrieb:

BAUER
ENERGIEKONZEPTE