

BAUER

Solartechnik GmbH



BS-6MBB5-GG

Monocrystalline solar module 300 - 310 W



PERFORMANCE GUARANTEE

30 years product warranty and a linear performance guarantee over a period of 30 years



CERTIFICATION

Permanent in-house quality control, multiple certifications by accredited inspection bodies



EFFICIENCY

High efficiency for optimum yield - innovations directly influence the production process



POSITIVE POWER TOLERANCE

Exclusive delivery of solar modules with positive power tolerance only



PERC BIFACIAL TECHNOLOGIE

Double-sided solar cells and a transparent back side increase the potential power output by up to 30%



WEATHERPROOF

Standardized mechanical load test guards against damage from wind and weather



GERMAN GUARANTOR

In case of need it is ensured that a German company assumes the claim settlement



SAFETY

High-quality components ensure maximum protection in all weather conditions



HANDLING

Low storage / transport cost and easy installation thanks to an intelligent packaging concept



PROVEN & GUARANTEED BY
BAUER SOLARTECHNIK

HIGH QUALITY STANDARDS BY GERMAN ENGINEERS

Mechanical Data

Cell type	monocrystalline / PERC bifacial
Cell formation	6 x 10 (60)
Module dimensions	1664 x 998 x 40 mm
Weight	25,4 kg
Front & back cover	2,5 mm hardened solar glass
Frame material	anodized aluminium alloy
Embedding material	EVA
Connection	junction box \geq IP 67
Number of diodes	3 bypass diodes
Cabel / connector	4 mm ² , 1100 mm, MC4-compatible

Temperature coefficients

Nom. operating cell temp. (NOCT)	45°C \pm 2
Temperature coefficient of I_{sc}	+0,0500 %/K
Temperature coefficient of V_{oc}	-0,290 %/K

Operational conditions

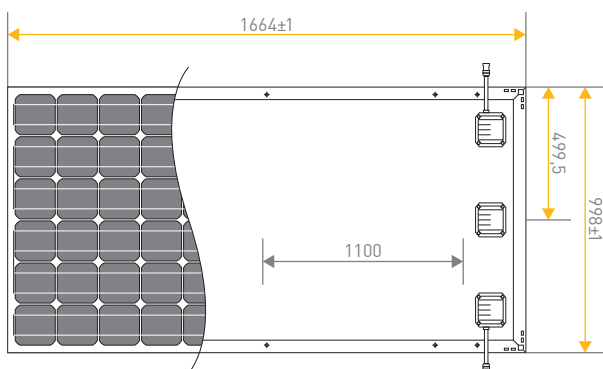
Maximum system voltage	1000 V DC (TÜV)
Operating temperatur	-40 bis 85°C
Maximum series fuse rating	20 A
Static load (snow/wind)	5400 Pa
Hail	\varnothing 25 mm bei 23 m/s

Electrical data¹

BS-300-6MBB5-GG BS-305-6MBB5-GG BS-310-6MBB5-GG

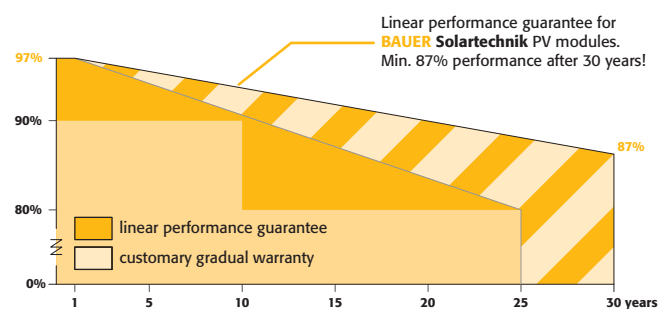
Nominal maximum power P_{max} (W _p)	300 W	305 W	310 W
Power output tolerance P_{max} (%)	0 ~ +3	0 ~ +3	0 ~ +3
Optimum operating voltage V_{mpp} (V)	32,2	32,4	32,6
Optimum operating current I_{mpp} (A)	9,31	9,42	9,52
Short circuit current I_{sc} (A)	9,60	9,72	9,87
Open circuit voltage V_{oc} (V)	39,80	39,90	40,10
Module efficiency η_m (%)	18,06	18,37	18,67

Dimensions



Warranty conditions²

Product warranty	30 years
Performance guarantee	30 years (min. 87% after 30 years)



Packaging units

Modules per pallet	28 Stück
Module per truck	784 Stück

Qualification & certification

IEC 61215:2005	CE
IEC 61730-1:2004 / IEC 61730-2:2004	

¹Values under Standard Test Conditions (STC): air mass 1,5 AM, irradiance 1000 W/m², cell temperature 25°C. STC measuring tolerance: ± 3 % (P_{max}), ± 10 % (V_{max} , I_{mpp} , V_{oc} , I_{sc}). ²Nominal value is specified in the written warranty conditions. Note: Please read safety instructions and installation manual before using this product. Subject to change. © 2018 Bauer Energiekonzepte GmbH. Effective 25th of July 2018.



Distribution:

BAUER **ENERGIEKONZEPTE**