

CFE

energy storage system

CFE-2400/5100 Battery Module

compatible with leading low-voltage and high-voltage inverters, both single and three-phase





Security

LFP battery (Lithium Iron Phosphate) provides the highest level of safety



DU to 8 units can be connected in series or parallel

Flexible solution to increase energy storage capacity without any additional equipment or changes to energy storage settings



Lifecycle

Over 6000 cycles



WiFi and Application

Integrated WiFi OTA modem allows for online software updates, providing convenient post-sale support



Installation

Simple plug-and-play connections, minimizing installation time and costs



High-Precision State of Charge (SOC)

Accurate sampling of voltage and current for mathematical State of Charge (SOC), enabling efficient assessment of internal losses and battery efficiency

Basic parameters

CFE 5100

Nominal voltage(V)	51.2
Nominal capacity (Wh)	5120
Usable capacity (Wh)	4608
Depth of discharge (DOD)	90%
Dimensions (mm)	442*500*133
Weight (kg)	42
Voltage range (V)	48 ~ 56
Charging/discharging current (A)	60 (Recommended)
Communication port	CAN / RS485
Maximum number of individual battery module strings (pcs.)	8
Operating temperature/°C (charging)	0 ~ 45
Operating temperature/°C (discharging)	-10 ~ 55
Storage temperature/°C	-20 ~ 60
Ingress protection (IP)	5 ~ 85%
Height	<2000
Ingress protection (IP)	IP20
Warranty	10 lat
Lifecycle ^ [1]	6000
Certification	CE i TUV (IEC 62619, IEC 62040) UL1973 UN38.3
Cooling type	Air cooling from the surroundings
Installation	Installation cabinets / Wall mounting / Ground mounting

[1] Test conditions: Charging/Discharging 0.2 C, @25 °C, 80% DOD



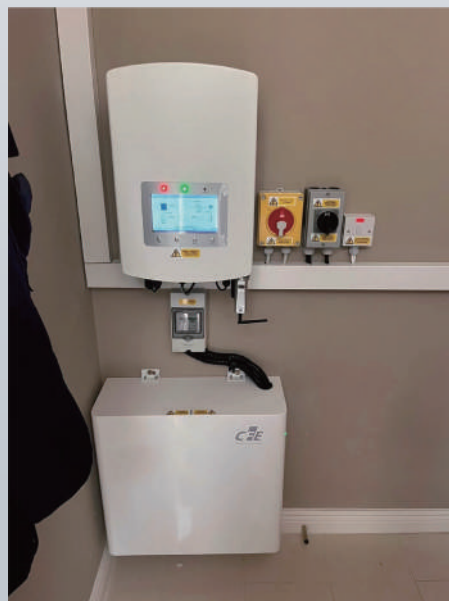
Advantage

Sheet metal structure production, light weight, high strength

Multiple protection process, anti-corrosion and anti-rust, smooth surface

Fine workmanship, strong safety, easy to use

Product Name	Cube 1	Cube 2	Cube 2	Cube 4	Cube 4
Dimension [H/W/D] (mm)	547*582*223	1152*582*253	1225*582*253	1152*582*388	1225*582*388
Battery Qty	1 pcs	2 pcs	2 pcs	4 pcs	4 pcs
Operating Temp. Range [°C]	-20 ~ 50	-20 ~ 50	-20 ~ 50	-20 ~ 50	-20 ~ 50
IP Rating	IP55	IP55	IP55	IP55	IP55
Color	White	White	Silver	White	Silver
Shell Material	SPCC	SPCC	SPCC	SPCC	SPCC
Weight	20kg	32kg	38kg	45kg	50kg
Installation	Wall Mount	Floor mount & Wall mount			



**TOP-CLASS SUPPLIER OF BATTERY POWER SUPPLY SYSTEM
TOP-CLASS SUPPLIER OF ENERGY STORAGE SYSTEMS AND MICROGRIDS**




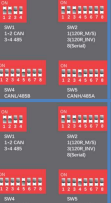

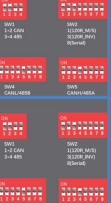
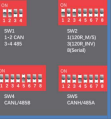
Compatible inverters

No	Inverter Brand	Inverter type	Protocal type	Batt DIP settings	DIP Pics	Inverter Batt settings	Remark	Video Link
1		Low Voltage High Voltage	CAN	SW1: 1&2 up SW4(CANL): 5up SW5(CANH): 4up		CFE	Please upgrade the inverter and battery firmware to the latest	https://www.cfenergygroup.com/video/483.html
2		Low Voltage High Voltage	CAN	SW1: 1&2 up SW4(CANL): 5up SW5(CANH): 4up		General	Please upgrade the inverter and battery firmware to the latest	https://www.cfenergygroup.com/video/482.html
3		Low Voltage High Voltage	CAN	SW1: 1&2 up SW4(CANL): 5up SW5(CANH): 4up		Lithium	Please upgrade the inverter and battery firmware to the latest	https://www.cfenergygroup.com/video/485.html
4		Low Voltage High Voltage	CAN	SW1: 1&2 up SW4(CANL): 5up SW5(CANH): 4up		CFE	Please upgrade the inverter and battery firmware to the latest	https://www.cfenergygroup.com/video/495.html
5		Low Voltage	CAN	SW:1&2 up SW4(CANL): 5up SW5(CANH): 4up		2	Old luxpower (red switch) SW4(CANL): 3up SW5(CANH): 4up	https://www.cfenergygroup.com/video/494.html
6		Low Voltage	RS485	SW1: 3&4 up SW4(485B): 3up SW5(485A): 5up		LIB	Please upgrade the inverter and battery firmware to the latest	https://www.cfenergygroup.com/video/493.html
7		Low Voltage High Voltage	CAN	SW1: 1&2 up SW4(CANL): 5up SW5(CANH): 4up		Lithium	Please upgrade the inverter and battery firmware to the latest	https://www.cfenergygroup.com/video/496.html
8		Low Voltage High Voltage	CAN	SW1: 1&2 up SW4(CANL): 5up SW5(CANH): 4up		Li L52	Please upgrade the inverter and battery firmware to the latest	/
9		Low Voltage High Voltage	CAN	SW1: 1&2 up SW4(CANL): 5up SW5(CANH): 4up		CFE	Please upgrade the inverter and battery firmware to the latest	https://www.cfenergygroup.com/video/494.html
10		Low Voltage High Voltage	CAN	SW1: 1&2 up SW4(CANL): 5up SW5(CANH): 4up		Lithium	Please upgrade the inverter and battery firmware to the latest	/
11		Low Voltage	CAN	SW1: 1&2 up SW4(CANL): 5up SW5(CANH): 4up		CFE	Please upgrade the inverter and battery firmware to the latest	/
12		Low Voltage	RS485	SW1: 3&4 up SW4 (485B): 8up SW5 (485A) :7up		WOW	Please contact technical support to upgrade the battery to SRNE version	/
13		Low Voltage High Voltage	CAN	SW1: 1&2 up SW4(CANL): 5up SW5(CANH): 4up		Lithium	Please upgrade the inverter and battery firmware to the latest	/
14		Low Voltage High Voltage	CAN	SW1: 1&2 up SW4(CANL): 5up SW5(CANH): 4up		CFE	Please upgrade the inverter and battery firmware to the latest	https://www.cfenergygroup.com/video/497.html
15		Low Voltage	CAN	SW1: 1&2 up SW4 (CANL): 7up SW5 (CANH) :8up		Pylon	Please upgrade the inverter and battery firmware to the latest	/
16		Low Voltage	CAN	SW1: 1&2 up SW4(CANL): 5up SW5(CANH): 4up		Cerbo GX BMS	Please use Victron BMS cable and upgrade the inverter and battery firmware to the latest	/
17		Low Voltage High Voltage	CAN	SW1: 1&2 up SW4(CANL): 5up SW5(CANH): 4up		Default Non Standard	Please upgrade the inverter and battery firmware to the latest	

Note: 1. Please follow the Internal communication settings table to set SW2&SW3

2. Please change the DIPs only when the battery is turned off

Compatible inverters

No	Inverter Brand	Inverter type	Protocol type	Batt DIP settings	DIP Pics	Inverter Batt settings	Remark	Video Link
18	 科耀能源 KOYOEE	High Voltage	CAN	SW1: 1&2 up SW4(CANL): 5up SW5(CANH): 4up		CFE	Please upgrade the inverter and battery firmware to the latest	
19	 SUNGRO	High Voltage	CAN	SW1: 1&2 up SW4(CANL): 5up SW5(CANH): 4up		CFE	Please upgrade the inverter and battery firmware to the latest	
20	User-define Mode (Voltage Control)	Low Voltage	\	SW1: 1&2 up SW4(CANL): 5up SW5(CANH): 4up		User Define	charge voltage 53.8V float charge 53.6V cut off 48V equalization voltage 53.8V charging current 60A per battery discharge current 60A per battery	/

Note: 1. Please follow the Internal communication settings table to set SW2&SW3

2. Please change the DIPs only when the battery is turned off