

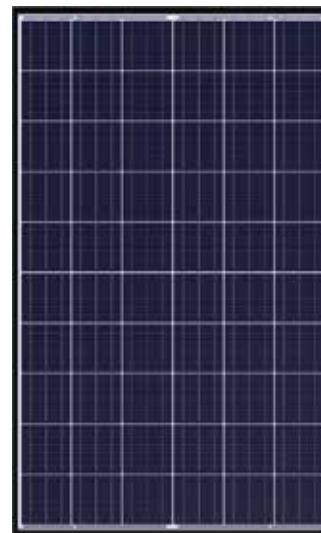
SN260P-10 60 cell-series

Polycrystalline PV Module



245 ~ 260 Watt

Continuously manufacturing PV modules since 1991, S-Energy is one of the most experienced module makers in the industry. More than 20 years of operating data support S-Energy's reputation as the best overall quality, performance, and value for solar investors. The cutting edge SN-Series leads the industry again in advanced design, construction, and performance. The SN-Series is the ideal module for any system size in any given environment. With the quality to last the lifetime of the PV system, S-Energy's SN-Series provides the confidence and assurance to each and every one of our customers.



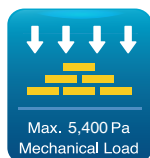
Features



POSITIVE TOLERANCE

0~+5W positive power sorting

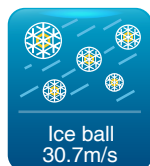
0/+5W



MECHANICAL LOAD

5,400 Pa (551 kg/m²)
(IEC Standard: 245 kg/m²)

Max. 5,400 Pa
Mechanical Load



HAIL IMPACT TEST

30.7m/s speed ball
(IEC Standard: 23 m/s)

Ice ball
30.7m/s



AMMONIA CORROSION RESISTANCE TEST

Applicable in agricultural and stock breeding environment

Chemical Resistance



SALT MIST CORROSION TEST

Applicable in marine environment

Corrosion Resistance



LINEAR WARRANTY

Max annual power decline 0.7%

Linear warranty

Qualifications & Certifications

IEC 61215 & 61730, CE, PV Cycle, MCS
ISO 9001, ISO 14001, OHSAS 18001



Mechanical Characteristics

Solar cell	Polycrystalline 156mm x 156mm (6 inches)
No. of cells	60 cells 6 x 10 matrix
Dimensions	1650mm x 990mm x 30mm
Weight	17 kg (37.48 lbs)
Front glass	High-transmittance low iron tempered glass
Frame	Anodized aluminum black frame
Output cables	PV Wire(PV1-F), 12AWG (4mm ²) / Cable length : 1000mm
Connectors	MC4 connectable

Warranty

Product warranty	10 years limited product warranty
Performance warranty	1 st year minimum peak power output : 97%
	2 nd year to 24 th year peak power output : max annual power decline 0.7%
	25 years peak power output : 80.2%

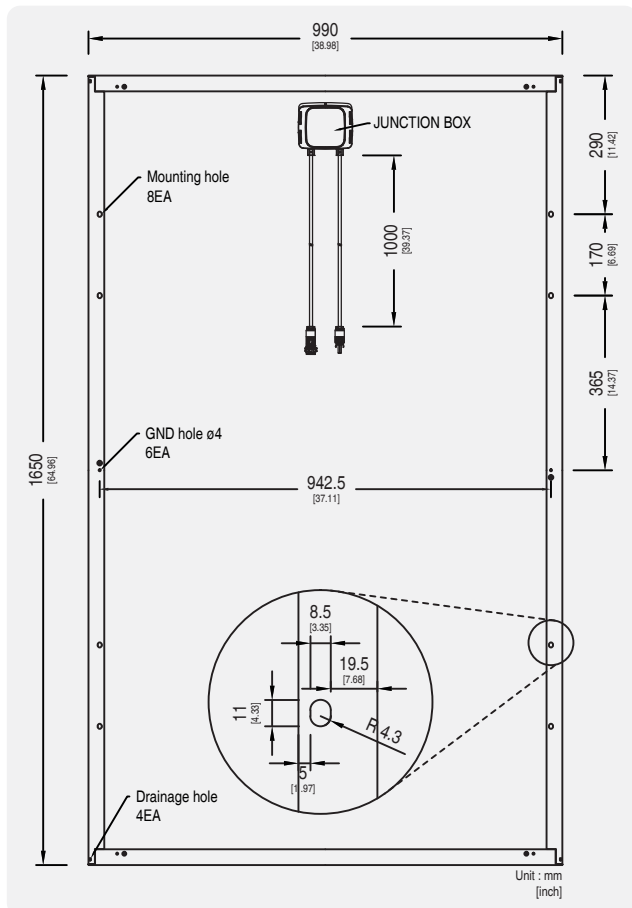
SN260P-10 60 cell-series

Polycrystalline PV Module



Electrical Characteristics

STC (Irradiance 1000W/m ² , module temperature 25°C, AM=1.5)	SN245P-10	SN250P-10	SN255P-10	SN260P-10
Rated Power (P _{max})	245W	250W	255W	260W
Voltage at P _{max} (V _{mp})	29.2V	29.7V	30.0V	30.2V
Current at P _{max} (I _{mp})	8.39A	8.42A	8.50A	8.60A
Warranted Minimum P _{max}	245W	250W	255W	260W
Short-Circuit Current (I _{sc})	8.85A	8.86A	8.93A	8.98A
Open-Circuit Voltage (V _{oc})	37.3V	37.3V	37.6V	38.0V
Module Efficiency	15.00%	15.30%	15.61%	15.92%
Operating Module Temperature	-40°C to +85°C			
Maximum System Voltage	1000VDC (IEC)			
Maximum Series Fuse Rating	15A			
Maximum Reverse Current	20.25A			
Power Tolerance	0 ~ +5 W			

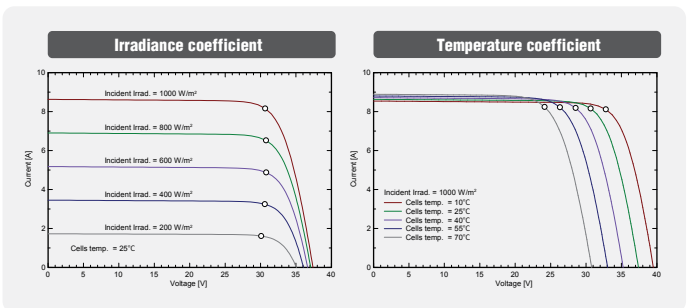


Temperature Characteristics

Temperature coefficient of I _{sc}	0.052 % / °C
Temperature coefficient of V _{oc}	-0.312 % / °C
Temperature coefficient of power	-0.429 % / °C
NOCT (Air 20°C ; Sun 0.8kW/m ² ; Wind 1m/s)	45±3 °C

Packing Configuration

Container	40' DRY
Modules Per Pallet	25 pcs
Pallets Per Container	26 pallets
Modules Per Container	650 pcs



Remarks :

P_{max} measurement tolerance : ±2.5%
 S-Energy uses triple AAA class simulator.
 Specification subject to change without prior notice. S-Energy reserves the rights of final interpretation.
 Document : SE-Datasheet_SN260P-10_3BB_60_2015_EN_V01.1

S-Energy Co., Ltd.

Address. 3rd Fl., Miraeasset Tower, 685, Sampyeong-dong, Bundang-gu, Seongnam-si, Gyeonggi-do 463-400, Republic of KOREA
 Tel. +82-70-4339-7100 Fax. +82-70-4339-7199 E-mail. inquiry@s-energy.com

SEAI America, Inc. (d.b.a. S-Energy America)

Address. 20 Corporate Park, Suite 190, Irvine, CA 92606, U.S.A.
 Tel. +1-949-281-7897 Fax. +1-949-281-7893 E-mail. sales.us@s-energy.com

S-Energy Japan Co., Ltd.

Address. 1-6-9, Koujimachi, Chiyoda-ku, Tokyo, DIK Koujimachi building 3F-A, Japan
 Tel. +81-3-6261-3759 Fax. +81-3-6261-3769 E-mail. toru.yasuda@s-energy.com