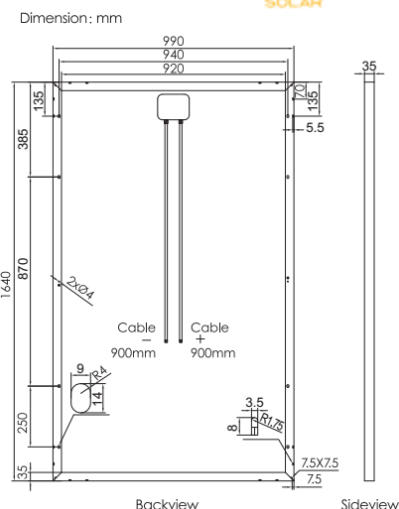


Mono

Poly

## LP156\*156-M-60

### Rated Power 305-315W



Product Series	LP156*156-M-60		
Power	305W	310W	315W
Open Circuit Voltage	40.05V	40.25V	40.45V
Short Circuit Current	9.85A	9.94A	10.03A
Maximum Power Voltage	32.51V	32.74V	32.96V
Maximum Power Current	9.38A	9.47A	9.56A
Module Efficiency	18.8%	19.1%	19.4%

Product Characteristics			
Weight	18kg	Junction Box	IP67
Module Size	1640*990*35mm	Frame	Aluminum Alloy
Cell Amount	60 pcs	Cable	4mm <sup>2</sup> , Length 900mm
Cell Size	156.75*156.75mm	Connection	(Compatible with) MC4
Maximum System Voltage	1000/1500V	Application Level	Class A

Packing Configuration			
Modules/Pallet	30 pieces	Modules/40' container	840 pieces
Packing Description	28 Pallets, Total=30 X 28=840		

Temperature Characteristics		Maximum Rating	
NOCT	45±2°C	Output Tolerance	0~+3%W
Temp Coefficient of ISC	+0.06%/°C	Operating Temperature	-40°C ~+85°C
Temp Coefficient of VOC	-0.30%/°C	Wind Load/Snow Load	2400pa/5400pa
Temp Coefficient of Pmax	-0.40%/°C	Fuse Current	15A



•10-YEAR 90% Maximum Output

•25-YEAR 80% Maximum Output



• J-PEC Product



- Salt Spray Certificate
- IEC61701 (Salt Mist Corrosion Test)



• TUV PID Certificate

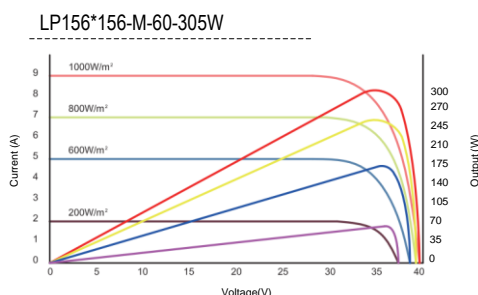


• TUV Certificate

**305W**  
~  
**315W**

• Output 305W-315W

Current - Voltage Curve at Various Light Levels



Output at Various Temperatures

