

The project solution
315/320 W
Poly



12 GW installed worldwide

Make Sharp's pioneering solar modules the only choice for your project.

72
Cells



55 years of solar expertise



Guaranteed positive power tolerance (0/+5 %)



Up to 16.5 % module efficiency



Proven Quality

TÜV (IEC/EN 61215, IEC/EN61730)
Safety Class II
Application class A



Polycrystalline silicon photovoltaic modules



10 YEARS Product guarantee



25 YEARS Linear power output guarantee



Robust product design
PID resistance

Electrical data (STC)

		NDAH320	NDAH315	
Maximum power	P_{max}	320	315	W_p
Open-circuit voltage	V_{oc}	45.8	45.6	V
Short-circuit current	I_{sc}	9.17	9.08	A
Voltage at point of maximum power	V_{mpp}	37.4	37.2	V
Current at point of maximum power	I_{mpp}	8.56	8.47	A
Module efficiency	η_m	16.5	16.2	%

STC = Standard Test Conditions: irradiance 1,000 W/m², AM 1.5, cell temperature 25°C.

Rated electrical characteristics are within ±10% of the indicated values of I_{sc} , V_{oc} and 0 to +5% of P_{max} (power measurement tolerance ±3%).

Electrical data (NOCT)

		NDAH320	NDAH315	
Maximum power	P_{max}	231	227	W_p
Open-circuit voltage	V_{oc}	42.5	42.4	V
Short-circuit current	I_{sc}	7.38	7.30	A
Voltage at point of maximum power	V_{mpp}	34.1	33.8	V
Current at point of maximum power	I_{mpp}	6.78	6.72	A

Module operating temperature at 800 W/m² irradiance, air temperature of 20 °C, wind speed of 1 m/s. NOCT = 45°C.

Mechanical data

Length	1,956 mm
Width	992 mm
Depth	40 mm
Weight	22.5 kg

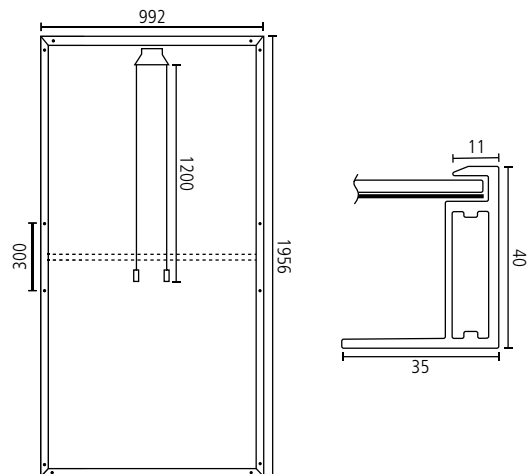
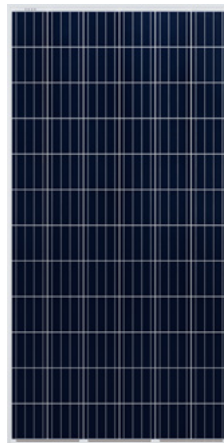
Temperature coefficient

P_{max}	-0.41 %/°C
V_{oc}	-0.32 %/°C
I_{sc}	0.055 %/°C

Limit values

Maximum system voltage	1,000 VDC
Over-current protection	15 A
Temperature range	-40 to +85 °C
Max. mechanical load (snow/wind)	2,400 Pa

Dimensions (mm)



*Please refer to Sharp's installation manual for details.

General data

Cells	polycrystalline, 156 mm x 156 mm, 72 cells in series
Front glass	low iron tempered glass, 3.2 mm
Frame	anodized aluminium alloy, silver
Connection box	IP67, 3 bypass diodes
Cable	4.0 mm ² , length 1,200 mm
Connector	Type 05-6, Zhejiang Renhe Photovoltaic Technology Co., Ltd

Packaging data

Modules per pallet	26 pcs
Pallet size (L x W x H)	1.99 m x 1.11 m x 1.01 m
Pallet weight	636 kg



www.sharp.eu

SHARP

Contact Sharp

SHARP ELECTRONICS GMBH
ENERGY SOLUTIONS
NAGELSWEG 33 - 35
20097 HAMBURG
GERMANY
T: +49 (0) 40/2376-2436
F: +49 (0) 40/2376-2193

Contact Installer

Local responsibility: **Benelux** SolarInfo.seb@sharp.eu, **France** SolarInfo.fr@sharp.eu, **Germany** SolarInfo.de@sharp.eu, **Poland** energy-info.pl@sharp.eu
Spain & Portugal SolarInfo.es@sharp.eu, **United Kingdom** SolarInfo.uk@sharp.eu, **Other countries** SolarInfo.Europe@sharp.eu