



## Strengths

- Tolerance 0~+3%
- High Transmission, low Iron Tempered Glass
- Plug&Play Connectors
- Bypass Diodes Protection
- Salt Mist Test And Ammonia Resistance Test

## Warranty

- Manufacturing 12 Years
- Power Production  
95%: 5 years    90%: 12years  
85%: 18years    80%: 25years

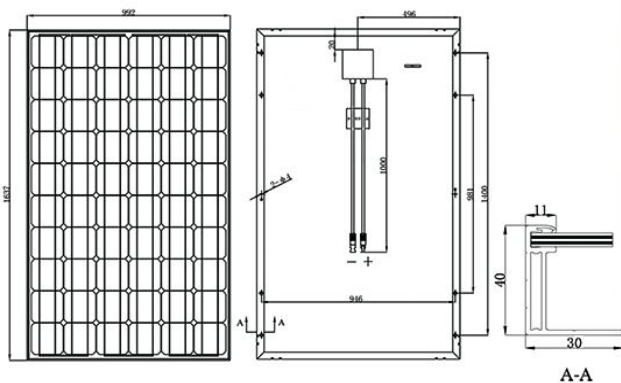
## Insurance



## Certificates



### PHYSICAL CHARACTERISTICS unit:mm



## SR MODULE

- SR-M660265-B
- SR-M660260-B
- SR-M660255-B
- SR-M660250-B



Dimensions	(mm)	1637×992×40
Weight	(kg)	19.2
Loading Capacity		282 pcs/20' GP
		700 pcs/40' HC

### Sunrise Solartech Co.,Ltd.

No.20 Tongzi River West Road, Zhonglou Development Zone ,  
Changzhou 213023 Jiangsu P.R.china.  
Tel:+86(519)8390 6510  
Fax:+86(519)8390 6508  
E-mail:info@srsolartech.cn  
Http://www.srsolartech.cn

## Specifications

Module Type		SR-M660265-B	SR-M660260-B	SR-M660255-B	SR-M660250-B
Maximum Power	Pm(W)	<b>265W</b>	<b>260W</b>	<b>255W</b>	<b>250W</b>
Tolerance	(%)	0~+3	0~+3	0~+3	0~+3
Open Circuit Voltage	Voc(V)	37.83	37.40	37.12	36.90
Short Circuit Current	Isc(A)	9.31	9.24	9.15	9.00
Maximum Power Voltage	Vm(V)	30.75	30.40	30.15	30.00
Maximum Power Current	Im(A)	8.62	8.56	8.46	8.34
Module Efficiency	(%)	16.30	16.00	15.70	15.40
Solar Cell Efficiency	(%)	19.02	18.67	18.32	17.98
Cell Type	(mm)	156×156(Mono-Crystalline Silicon)			
Number of Cells	(Pcs)	60(6×10)			
Maximum System Voltage	(V)	DC1000			
Temp. Coeff.of Voc	(%/°C)	-0.35			
Temp. Coeff.of Ise	(%/°C)	0.05			
Temp. Coeff.of Pm	(%/°C)	-0.45			
Operating Temperature	(°C)	-40 to 85			
Nominal Operating Cell Temperature(NOCT)	(°C)	45±2			
Max.Series Fuse	(A)	15			
Wind Bearing	(Pa)	2400			
Pressure Bearing	(Pa)	5400			
STC(Standard Test Conditions):1000W/m <sup>2</sup> AM=1.5 25°C					

## Electrical Characteristics

		1000 W/m <sup>2</sup>	800 W/m <sup>2</sup>	600 W/m <sup>2</sup>	400 W/m <sup>2</sup>	200 W/m <sup>2</sup>	100 W/m <sup>2</sup>
SR-M660265-B	Vmpp	30.75	30.66	30.42	29.69	28.80	28.18
	Impp	8.62	6.89	5.15	3.42	1.71	0.85
SR-M660260-B	Vmpp	30.40	30.31	30.07	29.35	28.48	27.88
	Impp	8.56	6.84	5.12	3.40	1.70	0.84
SR-M660255-B	Vmpp	30.15	30.06	29.82	29.10	28.23	27.63
	Impp	8.46	6.76	5.06	3.35	1.66	0.81
SR-M660250-B	Vmpp	30.00	29.91	29.67	28.95	28.08	27.48
	Impp	8.34	6.66	4.98	3.29	1.61	0.77

