



LEAPTON
SOLAR

Monocrystalline

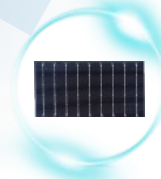
Polycrystalline

LP158*158-M-66-H/MH

Rated Power 360-385W



5BB Cell



9BB Cell



5BB/9BB Cell

More uniform current collection capability, reducing the current heat loss of the internal cells.



Low Light Features

Higher performance under low light environment.



Higher Output Power

The output power of 132 half-cells Monocrystalline modules is up to 385W.



PID Protection

Ensure the attenuation probability caused by PID phenomenon is minimized.



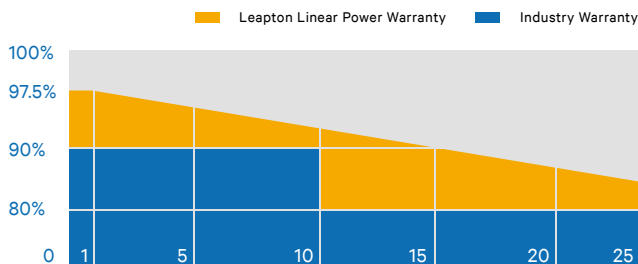
Harsh Environmental Adaptability

Strict salt spray and ammonia corrosion test by TUV Nord.



Load Capacity

Mechanical load tests including wind load 2400 Pa and snow load 5400 Pa done by TUV Nord.



J-PEC Product



• IEC61215
• IEC61730



• Salt Spray Certificate
• IEC61701
(Salt Mist Corrosion Test)



• TUV PID Certificate

Headquarter : Leapton Energy Co., Ltd.

📍 Tosei Bldg. 6F, 1-2-1 Aioi-cho, Chuo-ku Kobe-shi, Hyogo, 650-0025, Japan

Manufacturer : Leapton Solar (Changshu) Co., Ltd.

📍 No.55, Sunshine Avenue, Changshu City, Jiangsu, China

☎ +81-78-382-3182

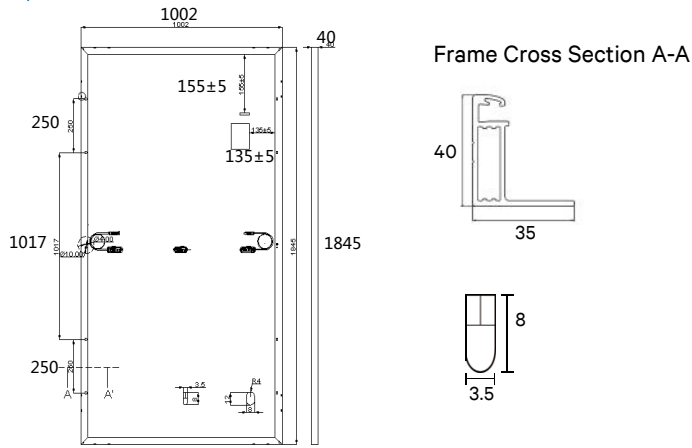
🌐 www.leaptonenergy.jp

☎ +86-512-88800068

✉ info@leaptonenergy.com

🌐 www.leaptonpv.com

MECHANICAL DIAGRAMS



SPECIFICATIONS

Weight	21kg
Dimensions	1845mm*1002mm*40mm
Cell Amount	66*2 pcs
Maximum System Voltage	1000/1500V
Junction Box	IP68
Frame	Aluminum Alloy
Cable	4mm ² , Landscape: N 1100mm/P 1100mm Portrait: N 150mm/P 300mm
Connector	MC4 compatible
Application Level	Class A

ELECTRICAL PARAMETERS AT STC

Power	360W	365W	370W	375W	380W	385W
Open Circuit Voltage	45.00V	45.20V	45.40V	45.60V	45.80V	46.00V
Short Circuit Current	10.13A	10.17A	10.22A	10.28A	10.33A	10.37A
Maximum Power Voltage	37.55V	37.80V	38.05V	38.30V	38.55V	38.80V
Maximum Power Current	9.59A	9.66A	9.73A	9.79A	9.86A	9.92A
Module Efficiency	19.5%	19.7%	20.0%	20.3%	20.6%	20.8%

* Under Standard Test Conditions (STC) of irradiance of 1000 W/m², spectrum AM 1.5 and cell temperature of 25°C.

ELECTRICAL PARAMETERS AT NMOT

Power	271W	275W	279W	282W	285W	288W
Open Circuit Voltage	42.90V	43.10V	43.30V	43.50V	43.70V	43.90V
Short Circuit Current	8.17A	8.22A	8.27A	8.32A	8.37A	8.42A
Maximum Power Voltage	35.40V	35.65V	35.90V	36.10V	36.35V	36.60V
Maximum Power Current	7.66A	7.71A	7.77A	7.81A	7.84A	7.87A
Module Efficiency	14.7%	14.9%	15.1%	15.3%	15.4%	15.6%

* Under Nominal Module Operating Temperature (NMOT), irradiance of 800 W/m², spectrum AM 1.5, ambient temperature 20°C, wind speed 1 m/s.

TEMPERATURE CHARACTERISTICS

NMOT	41±3°C	Temp Coefficient of ISC	+0.05%/°C
Temp Coefficient of VOC	-0.28%/°C	Temp Coefficient of Pmax	-0.36%/°C

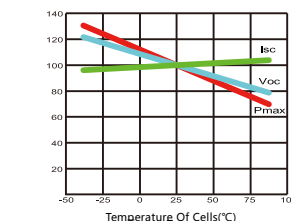
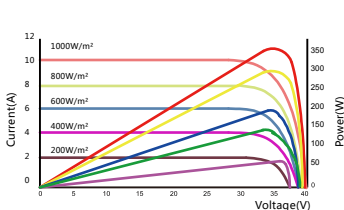
PACKING CONFIGURATION

Modules/Pallet	26 Pieces	Modules/40'Container	672 Pieces
Packing Description	24 Pallets, Total=(26+26+4)x12=672 Pieces		

CHARACTERISTICS

LP158*158-M-66-H/MH-360W

LP158*158-M-66-H/MH-360W



MAXIMUM RATING

Output Tolerance	0~+5W
Operating Temperature	-40°C~+85°C
Wind Load/Snow Load	2400pa/5400pa
Fuse Current	15A



Headquarter : Leapton Energy Co., Ltd.

Tosei Bldg. 6F, 1-2-1 Aioi-cho, Chuo-ku Kobe-shi, Hyogo, 650-0025, Japan

+81-78-382-3182

www.leaptonenergy.jp

Manufacturer : Leapton Solar (Changshu) Co., Ltd.

No.55, Sunshine Avenue, Changshu City, Jiangsu, China

+86-512-88800068

info@leaptonenergy.com

www.leaptonpv.com