



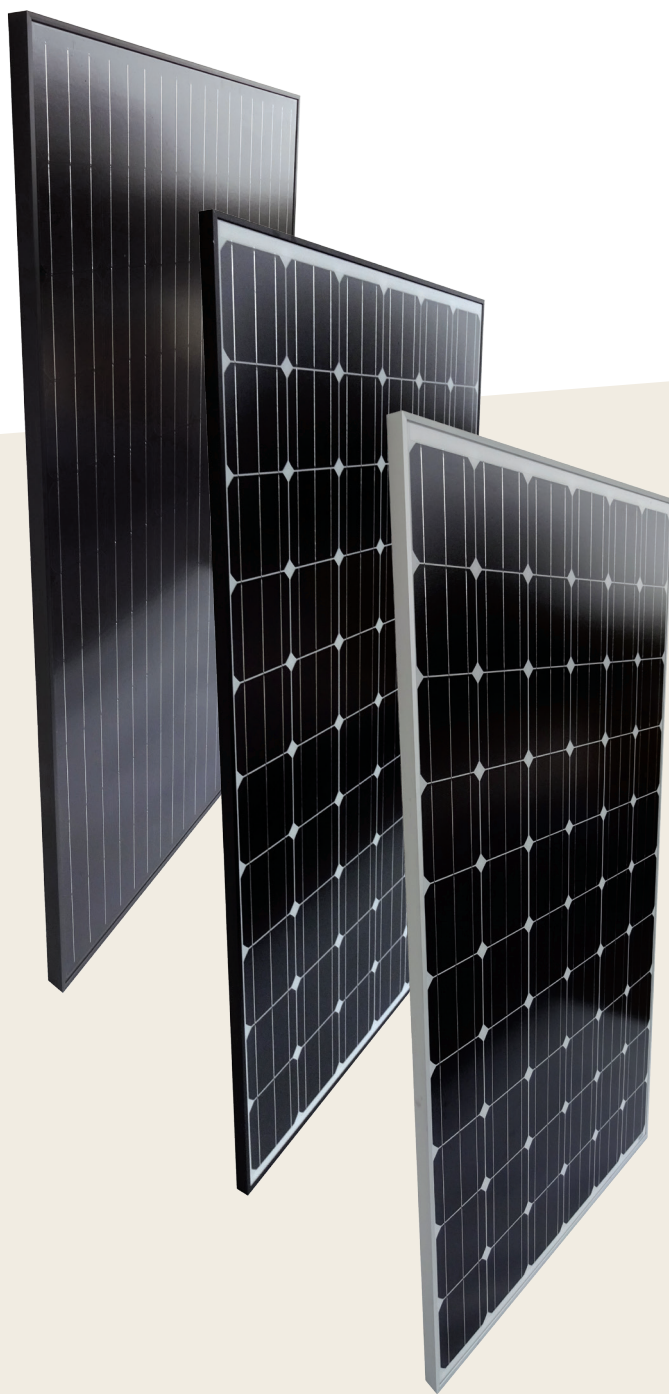
# SOLUXTEC

DIE MODUL MANUFAKTUR  
100% MADE IN GERMANY

## SOLUXTEC DAS MODUL 300

Mono Serie

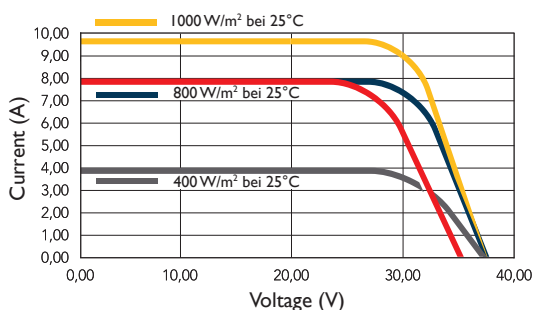
-  Low carbon footprint
-  Extremely lightweight Design
-  100% Quality Assurance
-  Linear Performance Guarantee
-  5400 Pa max load capacity
-  Innovative Junction Box
-  Incredibly high thermal conductivity
-  Positive performance Tolerance



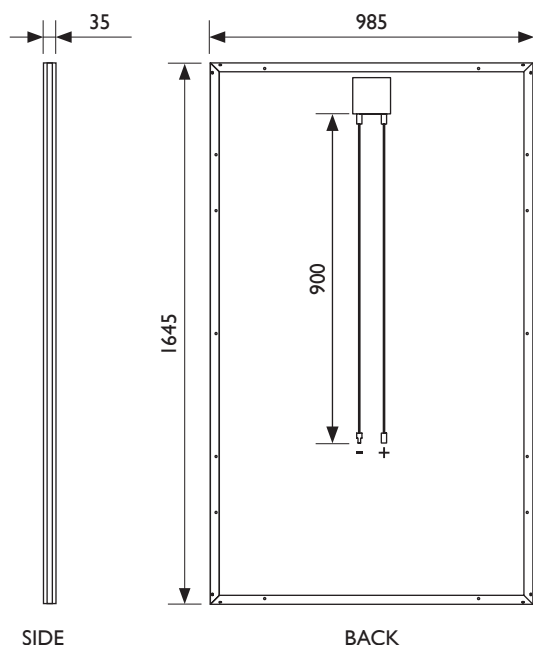
# SOLUXTEC DAS MODUL

## Mono Serie

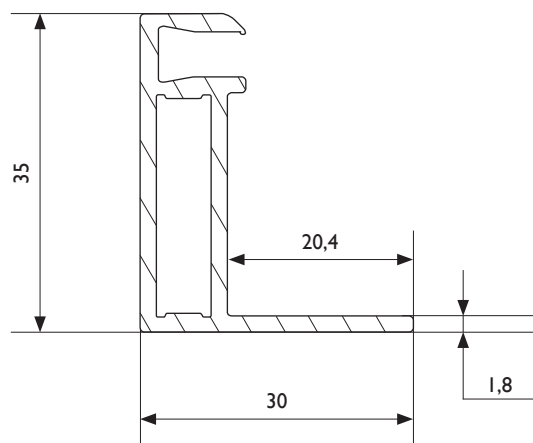
### I-V CURVES



### DIMENSIONS MODULE



### DIMENSIONS FRAMES



### ELECTRICAL PERFORMANCE UNDER STANDARD TEST CONDITIONS, 1000 W/m<sup>2</sup>, AM=1.5

Maximum Power	P <sub>max</sub>	W <sub>p</sub>	300
Open Circuit Voltage	V <sub>oc</sub>	V	32,15
Short Circuit	I <sub>sc</sub>	A	9,35
Maximum Power Point Voltage	V <sub>mpp</sub>	V	39,45
Maximum Power Point Current	I <sub>mp</sub>	A	9,90
Efficiency	%		18,50

### ELECTRICAL PERFORMANCE UNDER NOCT, 800 W/m<sup>2</sup>, AM=1.5, T=20°C

Maximum Power	P <sub>max</sub>	W <sub>p</sub>	220
Open Circuit Voltage	V <sub>oc</sub>	V	29,40
Short Circuit	I <sub>sc</sub>	A	7,50
Maximum Power Point Voltage	V <sub>mpp</sub>	V	36,25
Maximum Power Point Current	I <sub>mp</sub>	A	7,92

THERMAL CHARACTERISTICS		COMPONENTS
STC	25°	Cells Number 60
NOCT	45°	Technology monocrystalline silicon
TC I <sub>sc</sub>	+0,042%/K	Cell Dimension 156 x 156 mm
TC v <sub>oc</sub>	- 0,30%/K	Junction Box IP 67 ventilated
TC P <sub>mp</sub>	- 0,39%/K	Connector MC4
		Glass tempered+patterned
		Glass Thickness 3,2 mm

GENERAL CHARACTERISTICS	INTEGRATION CHARACTERISTICS
Module Weight 18 kg	Max. System Voltage 1000 Vdc
Color black / white	Protection Class A
Frame Color black / silver	Operating Temperature Range - 40 ... + 80
Total Thickness 35 mm	Max. Reserve Current 16 A

### CERTIFICATIONS

IEC 61215  
EN 61730

### GUARANTY

Linear  
80% after 25 years

### PRODUCT GUARANTY

10 years

### POWER TOLERANCE\*

0/+3% of P<sub>mp</sub>  
PFlash > P<sub>mp</sub>

This data Sheet complies with the requirements of EN 50380.

Soluxtec reserves the right to make specification changes without prior notice (2016).

\* Flasher AAA, Power tolerance measurement of +/- 3%.