



15.98%
Max Module Efficiency

260W
Max Power Output

12 Year
Product Warranty

25 Year
Linear Power Warranty

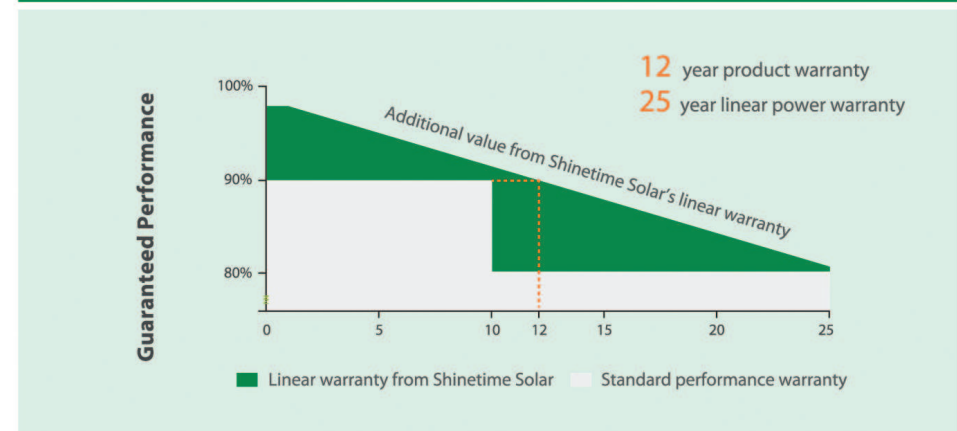
Certifications



XTP6-60

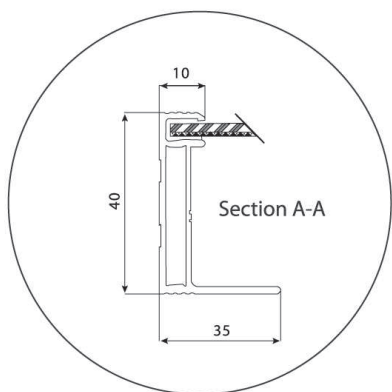
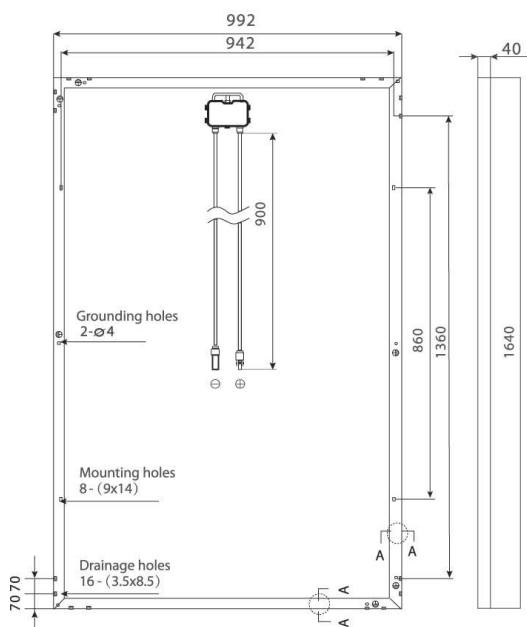
- Positive tolerance**
Guaranteed power output positive tolerance from 0 to 3%.
- Smart auto-recognition of weak light performance**
Smart light auto-recognition under the condition of low irradiance and hazy light (mornings, evenings and cloudy days).
- Steady resistance to strong hailstone, wind and snow loads**
Special frame construction certified to ensure high wind loads (2400 Pa), snow loads (5400 Pa) and hailstone (40mm/4.5m/s).
- Certified manufacturing facility**
Manufacturing facility certified by TÜV Rheinland to ISO 9001:2008, ISO 14001:2004.

Linear Performance Warranty





Unit: mm



Electrical Data @ STC

	XTP6-60-250	XTP6-60-255	XTP6-60-260	XTP6-60-265	XTP6-60-270
Peak Power Watts - P _{MAX} (Wp)	250	255	260	265	270
Nominal Power Voltage - V _{mp} (V)	29.9	30.3	30.6	30.9	31.2
Nominal Power Current - I _{mp} (A)	8.36	8.42	8.50	8.58	8.65
Open Circuit Voltage - V _{oc} (V)	37.7	37.8	38.0	38.3	38.6
Short Circuit Current - I _{sc} (A)	8.91	8.97	9.03	9.09	9.15
Module Efficiency - η _m (%)	15.37	15.67	15.98	16.29	16.6

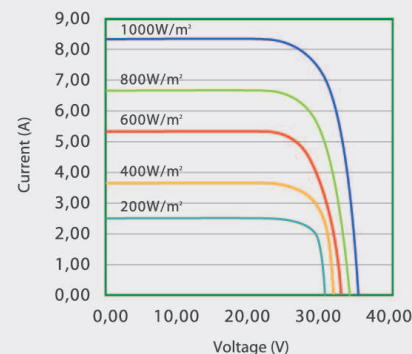
Values at Standard Test Conditions STC (Air Mass: AM1.5, Irradiance: 1000W/m², Cell Temperature: 25 °C).

Electrical Data @ NOCT

	XTP6-60-250	XTP6-60-255	XTP6-60-260	XTP6-60-265	XTP6-60-270
Maximum Power - P _{MAX} (W)	181	184	187	190	193
Maximum Power Voltage - V _{mp} (V)	27.9	28.0	28.1	28.2	28.3
Maximum Power Current - I _{mp} (A)	6.50	6.58	6.67	6.74	6.82
Open Circuit Voltage - V _{oc} (V)	34.3	34.4	34.5	34.6	34.7
Short Circuit Current - I _{sc} (A)	6.89	6.95	7.02	7.09	7.16

NOCT: Irradiance at 800W/m², Ambient Temperature 20 °C, Wind Speed 1m/s.

I-V Curves of PV Module XTP6-60



Average efficiency reduction of 4.5% at 200W/m² according to EN 60904-1.

Temperature Ratings

Nominal Operating Cell Temperature (NOCT)	(45±3) °C
Temperature Coefficient of P _{MAX}	(-0.402) %/k
Temperature Coefficient of V _{oc}	(-0.344) %/k
Temperature Coefficient of I _{sc}	(0.052) %/k



Operating Conditions

Maximum System Voltage	1000V _{dc}
Max Series Fuse Rating	15A
Operating Temperature Range	-40 °C ~+85 °C
Max. Static Load, Front	5400Pa
Max. Static Load, Back	2400Pa
Max. Hailstone Impact	40mm/4.5m/s

Mechanical Data

Solar Cells	Polycrystalline 156*156 mm (6 inches)
Cells Orientation	60 cells (6*10)
Module Dimension	1640*992*40 mm
Weight	19.5 kg
Glass	High transparency and low-iron tempered solar glass 3.2 mm (0.13 inches)
Frame	Silver color anodized aluminum alloy
Junction Box	IP 67 rated
Cable	Photovoltaic technology cable: 4.0mm ² (0.006 inches ²), 900mm (35.4 inches),
Connector	MC4 Compatible/IP65 or MC4 Original/IP67

Warranty

- 12 year workmanship warranty
- 25 year linear performance warranty (12 year 90% power output, 25 year 80% power output)

Packaging Configuration

26pcs per ctn, 2pcs per box, (2ctns+2boxes) per plt, 14 plts (784pcs) per 40'HQ